

## SPECIFICATIONS

### Contact Rating

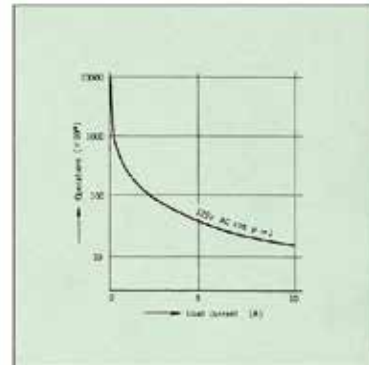
Voltage	Resistive load (cos $\phi = 1$ )	Inductive load (cos $\phi = 0.4$ )	Motor or lamp load	
			N.C. contact	N.O. contact
125V AC	10 A	6 A	3 A	1.5A
250V AC	10 A	4 A	1.5A	1 A
115V DC	0.4A	0.05A	—	—

UL, CSA rating: UL: 10 A 125/250 VAC  
CSA: 10 A 125/250 VAC, 600 VAC MAX., 115 VDC MAX. PILOT DUTY


### Characteristics

Contact arrangement ..... SPDT  
 Expected life (min. operations) ..... 200,000  
 Electrical (at rated load ON/OFF frequency: 20/min.) ..... 200,000  
 Mechanical (ON/OFF frequency: 50/min.) ..... 10,000,000  
 Insulation resistance (initial) ..... more than 100 M $\Omega$  at 500 V DC  
 Dielectric strength:  
 Between terminals ..... 1,500 Vrms  
 Between terminals and other exposed metal parts ..... 2,000 Vrms  
 Between terminals and ground ..... 2,000 Vrms  
 Shock resistance  
 At free position (max.) ..... 10 G  
 At operation limit position (max.) ..... 30 G  
 Vibration resistance (max.) ..... 55 Hz at 1.5 mm travel  
 Contact resistance (initial) ..... less than 15 m $\Omega$  at 6-8 V DC  
 Allowable operation speed ..... 120 cycles/min.  
 Ambient temperature ..... -20°C to +60°C -4°F to +140°F  
 Ambient humidity (max.) ..... 95%

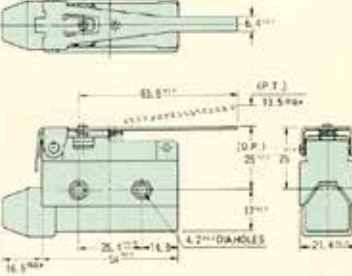
### Life curve




mm

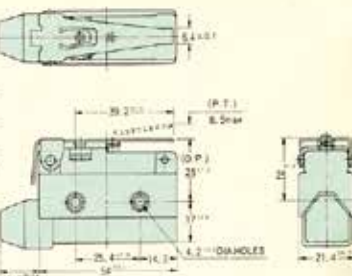


**Hinge lever**  
**AZ 7120**  
 Operating Force ..... 150 g max.  
 Release Force ..... 40 g min.  
 Pretravel ..... 13.5 mm max.  
 Movement Differential ..... 3.2 mm max.  
 Overtravel ..... 4.0 mm min.  
 Operating Position ..... 25  $\pm$  2.0 mm


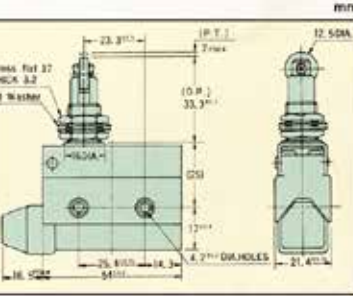

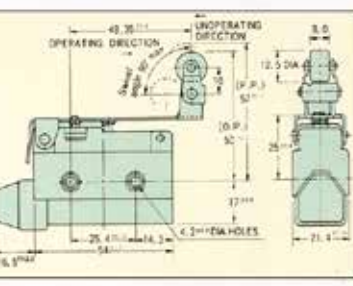

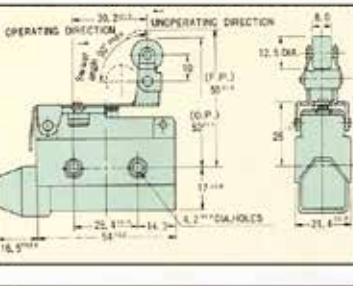

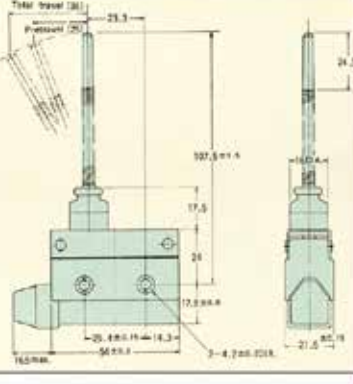

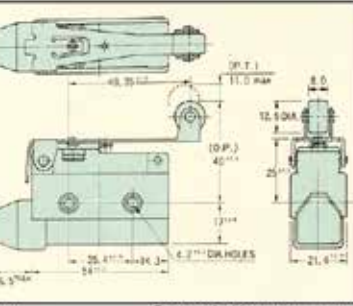




**Hinge short lever**  
**AZ 7140**  
 Operating Force ..... 220 g max.  
 Release Force ..... 60 g min.  
 Pretravel ..... 8.5 mm max.  
 Movement Differential ..... 2.0 mm max.  
 Overtravel ..... 2.5 mm min.  
 Operating Position ..... 25  $\pm$  1.3 mm




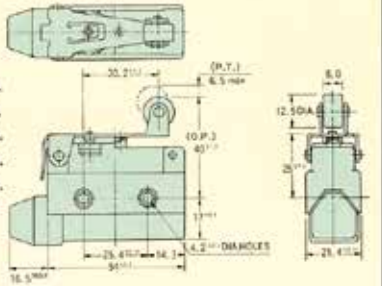

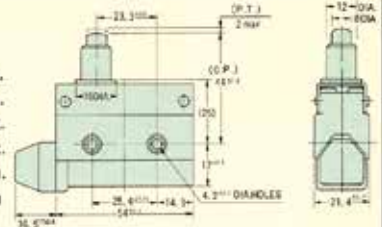

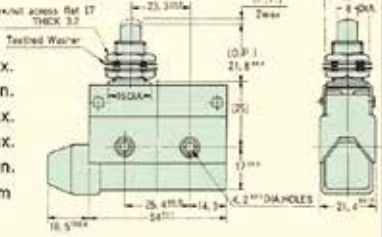

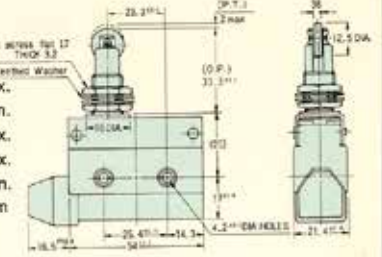

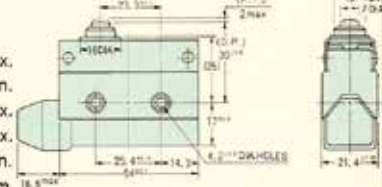
\* Epoxy-sealed terminal types    \*\* Neon lamp wired types    General tolerance:  $\pm 0.4$

	<p><b>Panel mount cross roller plunger</b>  <b>AZ 7312</b>            Operating Force .....600 g max.            Release Force .....100 g min.            Pretravel .....2.0 mm max.            Movement Differential .....0.8 mm max.            Overtravel .....6.0 mm min.            Operating Position .....33.3 ± 1.2 mm</p>	
	<p><b>One way roller lever</b>  <b>AZ 7124</b>            Operating Force .....200 g max.            Release Force .....60 g min.            Pretravel .....11 mm max.            Movement Differential .....2.4 mm max.            Overtravel .....3.0 mm min.            Operating Position .....50 ± 2.0 mm</p>	
	<p><b>One way roller short lever</b>  <b>AZ 7144</b>            Operating Force .....280 g max.            Release Force .....100 g min.            Pretravel .....6.5 mm max.            Movement Differential .....1.5 mm max.            Overtravel .....2.0 mm min.            Operating Position .....50 ± 1.6 mm</p>	
	<p><b>AZ 7166</b>            Operating Force .....120 g max.            Pretravel .....25 mm max.            Overtravel .....11 mm min.            Totaltravel .....36 mm min.</p>	
	<p><b>Hinge roller lever</b>  <b>AZ 7121</b>            Operating Force .....180 g max.            Release Force .....50 g min.            Pretravel .....11.0 mm max.            Movement Differential .....2.4 mm max.            Overtravel .....3.0 mm min.            Operating Position .....40 ± 1.9 mm</p>	

\* Epoxy-sealed terminal types

\*\* Neon lamp wired types

General tolerance: ±0.4

	<p>Hinge short roller lever <b>AZ 7141</b></p> <p>Operating Force ..... 240 g max. Release Force ..... 80 g min. Pretravel ..... 6.5 mm max. Movement Differential... 1.5 mm max. Overtravel ..... 2.0 mm min. Operating Position ..... 40 ± 1.6 mm</p>	
	<p>Overtravel plunger <b>AZ 7110</b></p> <p>Operating Force ..... 600 g max. Release Force ..... 100 g min. Pretravel ..... 2.0 mm max. Movement Differential... 0.8 mm max. Overtravel ..... 5.0 mm min. Operating Position ..... 44 ± 1.2 mm</p>	
	<p>Panel mount plunger <b>AZ 7310</b></p> <p>Operating Force ..... 600 g max. Release Force ..... 100 g min. Pretravel ..... 2.0 mm max. Movement Differential... 0.8 mm max. Overtravel ..... 6.0 mm min. Operating Position ..... 21.8 ± 0.8 mm</p>	
	<p>Panel mount roller plunger <b>AZ 7311</b></p> <p>Operating Force ..... 600 g max. Release Force ..... 100 g min. Pretravel ..... 2.0 mm max. Movement Differential... 0.8 mm max. Overtravel ..... 6.0 mm min. Operating Position ..... 33.3 ± 1.2 mm</p>	
	<p>Compact overtravel plunger <b>AZ 7100</b></p> <p>Operating Force ..... 600 g max. Release Force ..... 100 g min. Pretravel ..... 2.0 mm max. Movement Differential... 0.8 mm max. Overtravel ..... 0.8 mm min. Operating Position ..... 30 ± 0.8 mm</p>	

\* Epoxy-sealed terminal types

\*\* Neon lamp wired types

General tolerance: ±0.4