

Power Relay Socket Series

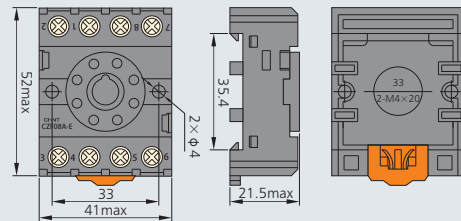
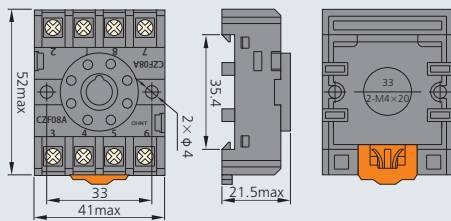
CZF08A

CZF08A-E(With finger safety protection)



52×41×21.5(mm)

52×41×21.5(mm)



Applicable relay type: JQX-10F/2Z, JTX-2C, JMK2P-I

Applicable relay type: JQX-10F/2Z, JTX-2C, JMK2P-I

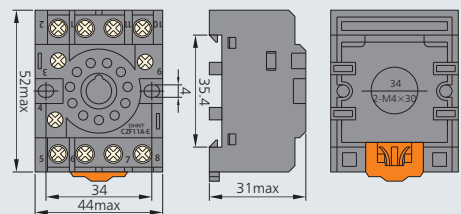
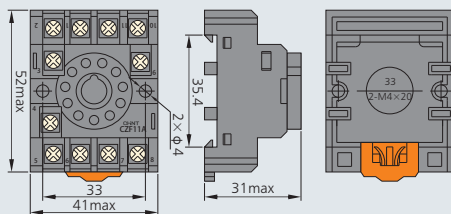
CZF11A

CZF11A-E(With finger safety protection)



52×44×31(mm)

52×44×31(mm)



Applicable relay type: JQX-10F/3Z, JTX-3C, JMK3P-I

Applicable relay type: JQX-10F/3Z, JTX-3C, JMK3P-I

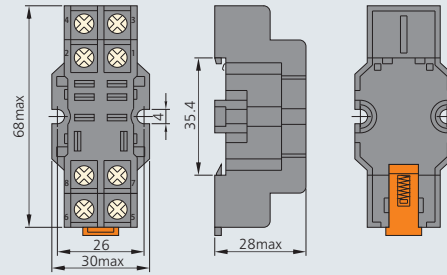
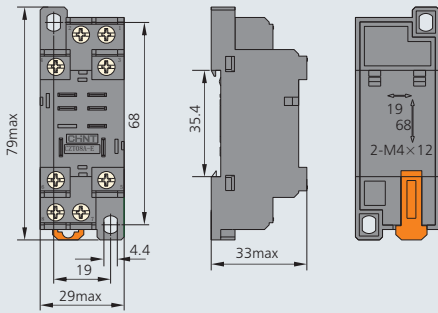
**CZT08A-E(With finger safety protection)**

**CZT08B-01(Wide type, copper strip connection)**



79×29×33(mm)

68×30×28(mm)



Applicable relay type: JQX-13F(B)/2Z,  
NJX-13FW(B)/2Z, HH62P(-L), LY2(N)

Applicable relay type: JQX-13F(B)/2Z,  
NJX-13FW(B)/2Z, HH62P(-L), LY2(N)

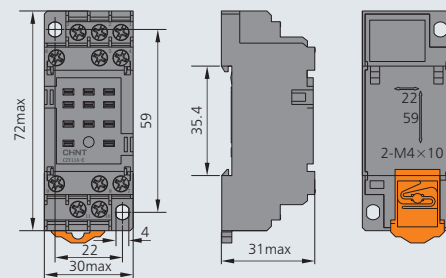
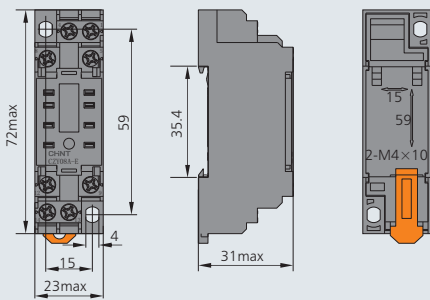
**CZY08A-E(With finger safety protection)**

**CZY11A-E(With finger safety protection)**



72×23×31(mm)

72×30×31(mm)



Applicable relay type: JZX-22F(B)/2Z,  
NJX-13FW(B)/2ZS, HH52P(-L), MY2(N)

Applicable relay type: JZX-22F(B)/3Z, NJX-13FW(B)/3ZS,  
HH53P(L), MY3(N)

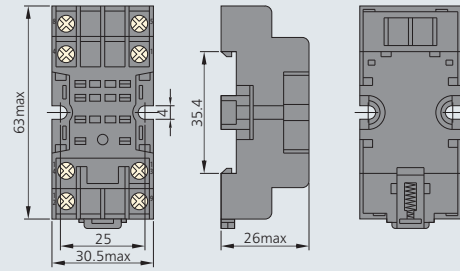
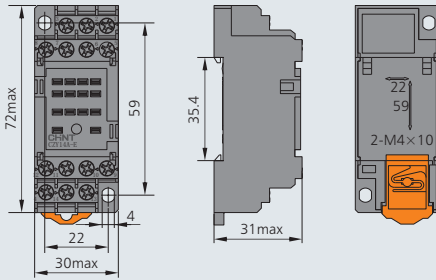
**CZY14A-E(With finger safety protection)**

**CZY08B-01(Wide type, copper strip connection)**



72×30×31(mm)

63×30.5×26(mm)



Applicable relay type: JZX-22F(B)/4Z, NJX-13FW(B)/4ZS, HH54P(L), MY4(N)

Applicable relay type: JZX-22F(B)/2Z, NJX-13FW(B)/2ZS, JZX-18F(L)/2Z, HH52P(L), MY2(N)

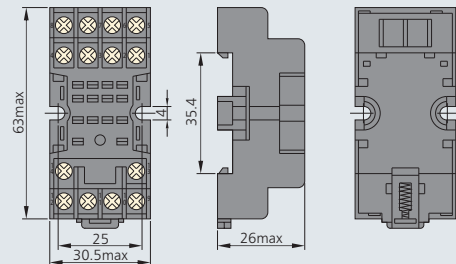
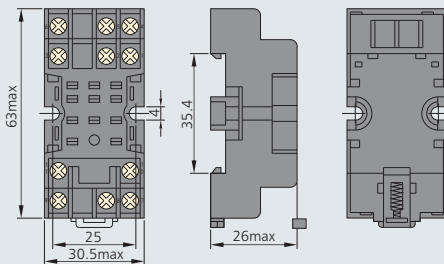
**CZY11B (Copper strip connection)**

**CZY14B (Copper strip connection)**



63×30.5×26(mm)

63×30.5×26(mm)



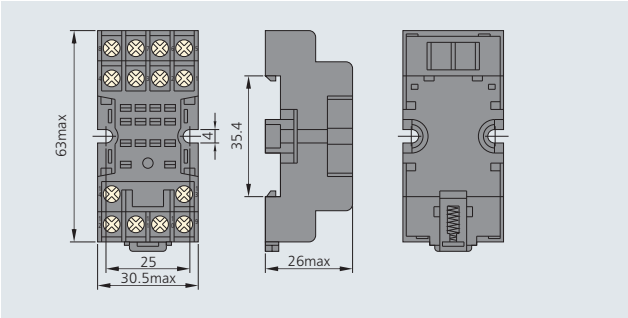
Applicable relay type: JZX-22F(B)/3Z, NJX-13FW(B)/3ZS, HH53P(L), MY3(N)

Applicable relay type: JZX-22F(B)/4Z, NJX-13FW(B)/4ZS, HH54P(L), JZX-18F(L)/4Z, MY4(N)

**CZY14B-E (With finger safety protection, copper strip connection)**



63×30.5×26(mm)



Applicable relay type: JZX-22F(B)/4Z, NJX-13FW(B)/4ZS, HH54P(L), JZX-18F(L)/4Z, MY4(N)

**NG102** **NG103**



Applicable relay type: CZY□A series、CZT□A series



Applicable relay type: CZY□B series、CZT□B series