



HM-1

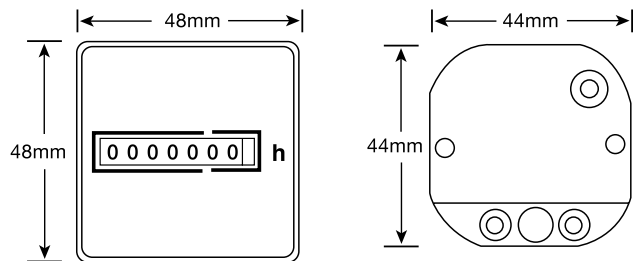


HM-2

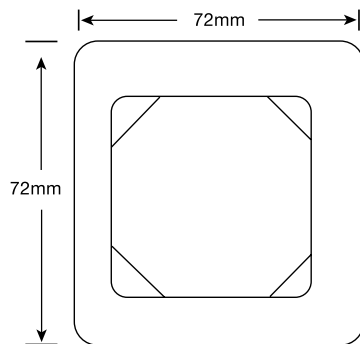
SPECIFICATIONS

- Item No. : HM-1
HM-2 Rail Type (din rail 35mm)
- Time Range : 0 ~ 99999.99 hours
- Supply voltage. : AC. 110V, 220V 50 or 60Hz
DC. 10 ~ 50V

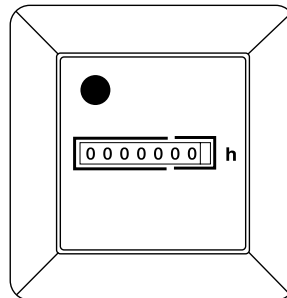
DIMENSIONS (mm)



OPTIONAL ACCESORIES FRAME : HM-C (Used for HM-1 only)



HM-C



Hour meter HM-1
with HM-C