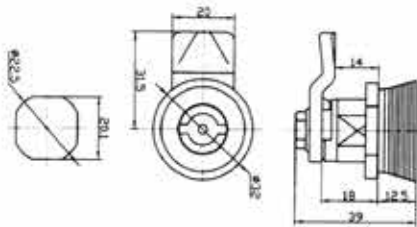


Dimensions of outline and cut out 外形及安装孔尺寸



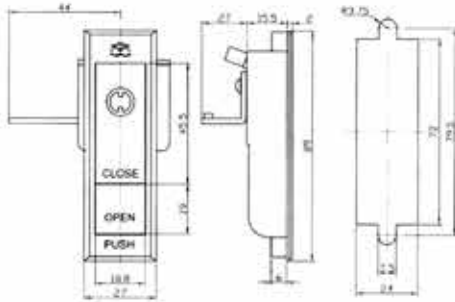
- 材 质: 锌合金壳体, 镀锌铜帽锁芯
- 表面处理: 镀锌轴, 镀锌轴, 抛光亮黑
- 结构功能: 撞锁式手面锁, 左右开门通用
- 备 注: 适用门框厚度: 1-8mm, 锁芯开孔: □6x8, 可配K7010, K7030, K7040, K7050钥匙。
- Material: Zinc alloy body, cam m.s. zinc pl.
- Finish: Bright chrome plating, gray chrome plating, black powder coated.
- Structure: Both left hand and right hand use.
- Remarks: Applicable panel thickness: 1-8mm, the key k7010, k7030, k7040, k7050 are available.



K7010

MS702

Dimensions of outline and cut out 外形及安装孔尺寸

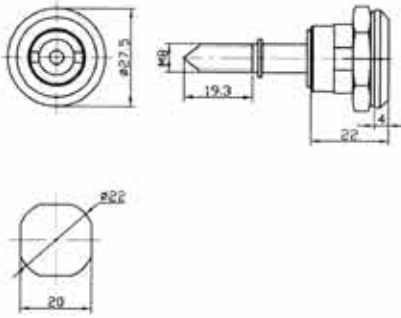


- 材 质: 锌合金壳体, 镀锌铜帽锁芯
- 表面处理: 镀锌轴, 镀锌轴, 抛光亮黑
- 结构功能: 撞锁弹出式手面锁, 手柄弹出即可打开柜门, 有左右开门之分, 锁芯可调停止口高度
- 备 注: 适用门框厚度: 1-5mm.
- Material: Zinc alloy body cam m.s. zinc pl.
- Finish: Bright chrome plating, gray chrome plating, black powder coated.
- Structure: Push button lock, the handle pops up to open the cabinet door, left hand or right hand use adjustable stopper height.
- Remarks: Applicable panel thickness: 1-5mm.



MS703

Dimensions of outline and cut out 外形及安装孔尺寸

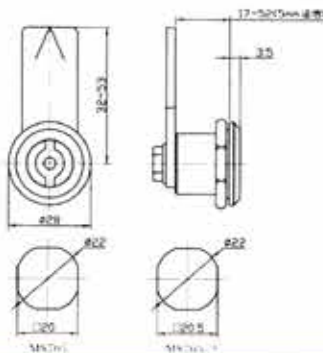


- 材 质: 锌合金壳体, 螺母, 镀锌铜锁芯
- 表面处理: 镀锌轴, 镀锌轴, 抛光亮黑
- 结构功能: 西向手面锁, 左右开门通用, 可调节手面锁高度
- 备 注: 适用门框厚度: 1-6mm.
- Material: Zinc alloy body and nut, insert m.s. zinc pl.
- Finish: Bright chrome plating, gray chrome plating, black powder coated.
- Structure: Both left hand and right hand use, adjustable cam.
- Remarks: Applicable panel thickness: 1-6mm.



MS704

Dimensions of outline and cut out 外形及安装孔尺寸



- 材 质: 锌合金壳体, 螺母, 铜芯, 镀锌铜帽锁芯
- 表面处理: 镀锌轴, 镀锌轴, 抛光亮黑
- 结构功能: 密封防水型手面锁, 锁芯有四种之分, 左右开门通用
- 备 注: 锁芯开孔LDR可配K7010, K7030, K7040, K7050钥匙
- Material: Zinc alloy body, nut and key, cam m.s. zinc pl.
- Finish: Bright chrome plating, gray chrome plating, black powder coated.
- Structure: With sealed and waterproof functions, available in four types of inserts, both left hand and right hand use.
- Remarks: The key k7010, k7030, k7040, k7050 are available.



MS705

MS705-2

K7030

K7040

K7010