

Product data sheet

Specifications

SQUARE D

Green Premium™



Motor circuit protector, PowerPact J, 250A, 3 pole, 600VAC, 25kA, lugs, thermal magnetic, 80%

JJL36250M75

Product availability : Stock - Normally stocked in distribution facility

Price* : 2,393.00 USD

Main

Product or Component Type Motor Circuit Protector

Complementary

Line Rated Current 250 A

Number of Poles 3P

Control Type Toggle

Breaking capacity code J

Breaking capacity 100 kA 240 V AC 50/60 Hz UL 489
65 kA 480 V AC 50/60 Hz UL 489
25 kA 600 V AC 50/60 Hz UL 489
20 kA 250 V DC UL 489

[Ue] rated operational voltage 600 V AC 50/60 Hz IEC 60947-3

Network Frequency 50/60 Hz

[Ics] rated service breaking capacity 65 kA 220/240 V AC 50/60 Hz IEC 60947-2
35 kA 380/440/415 V AC 50/60 Hz IEC 60947-2
18 kA 500/525 V AC 50/60 Hz IEC 60947-2
20 kA 250 V DC IEC 60947-2
20 kA 500 V DC IEC 60947-2

[Uimp] rated impulse withstand voltage 8 kV IEC 60947-2

Trip unit technology Thermal-magnetic

[Ith] conventional free air thermal current 117...217 A

Magnetic tripping current 2500 A

Magnetic hold current 1250 A

Continuous current rating 80 %

[Ui] rated insulation voltage 750 V IEC 60947-2

Protection Type Overload protection
Short-circuit protection

Suitability for isolation Yes IEC 60947-2

Utilisation category Category A

AWG gauge AWG 3/0...350 kcmil aluminium/copper terminals

Local signalling Switched off (OFF) 1 trip indicator green)

* Price is "List Price" and may be subject to a trade discount – check with your local distributor or retailer for actual price.

| | |
|---|---|
| Mounting mode | Unit mount lug) |
| Mounting Support | Lug |
| Electrical connection | Lugs line Lugs load |
| Terminal identifier | AL250JD |
| Long time pick-up adjustment range | 0.25...1 x In |
| Tightening torque | 221.27 lbf.in (25 N.m) 0.15...0.29 in ² (95...185 mm ²) (AWG 3/0...350 kcmil) |
| Number of slots | 2 auxiliary switch OF plug-in) 1 alarm switch SD plug-in) 1 overcurrent trip switch SDE plug-in) 1 voltage release MN or MX plug-in) |
| Power wire stripping length | 0.98 in (25 mm) |
| Height | 7.52 in (191 mm) |
| Width | 4.09 in (104 mm) |
| Depth | 3.39 in (86 mm) |
| Net Weight | 5.29 lb(US) (2.4 kg) |
| Communication interface | Modbus |

Environment

| | |
|--|--|
| Quality labels | CE |
| Standards | UL CSA NEMA NOM-003-SCFI-2000 IEC 60947-2 |
| Product certifications | UL CSA NOM |
| IP degree of protection | Front cover IP40 |
| Pollution degree | 3 |
| Ambient Air Temperature for Operation | 28...158 °F (-2...70 °C) |
| Ambient Air Temperature for Storage | -58...185 °F (-50...85 °C) |
| Operating altitude | < 6561.68 ft (2000 m) without derating 5000 m with derating |

Ordering and shipping details

| | |
|------------------------------|---|
| Category | 01125-HJ, JJ UNT MNT MTR CIRCUIT PROTECTR |
| Discount Schedule | DE2 |
| GTIN | 785901541134 |
| Nbr. of units in pkg. | 1 |
| Package weight(Lbs) | 5.11 lb(US) (2.32 kg) |
| Returnability | Yes |
| Country of origin | MX |

Packing Units

| | |
|-------------------------------|-------------------|
| Unit Type of Package 1 | PCE |
| Package 1 Height | 5.79 in (14.7 cm) |
| Package 1 width | 7.28 in (18.5 cm) |

| | |
|-------------------------|-------------------|
| Package 1 Length | 8.82 in (22.4 cm) |
|-------------------------|-------------------|

Offer Sustainability

| | |
|---------------------------------|-----------------------|
| Sustainable offer status | Green Premium product |
|---------------------------------|-----------------------|

| | |
|----------------------------------|--|
| California proposition 65 | WARNING: This product can expose you to chemicals including: DINP, which is known to the State of California to cause cancer, and DIDP, which is known to the State of California to cause birth defects or other reproductive harm. For more information go to www.P65Warnings.ca.gov |
|----------------------------------|--|

| | |
|-------------------------|-----------------------------------|
| REACH Regulation | REACH Declaration |
|-------------------------|-----------------------------------|

| | |
|--------------------------|--|
| EU RoHS Directive | Compliant EU RoHS Declaration |
|--------------------------|--|

| | |
|---------------------|-----|
| Mercury free | Yes |
|---------------------|-----|

| | |
|-----------------------------------|---------------------|
| RoHS exemption information | Yes |
|-----------------------------------|---------------------|

| | |
|------------------------------|--|
| China RoHS Regulation | China RoHS declaration Product out of China RoHS scope. Substance declaration for your information. |
|------------------------------|--|

| | |
|---------------------------------|---|
| Environmental Disclosure | Product Environmental Profile |
|---------------------------------|---|

| | |
|----------------------------|---|
| Circularity Profile | End of Life Information |
|----------------------------|---|

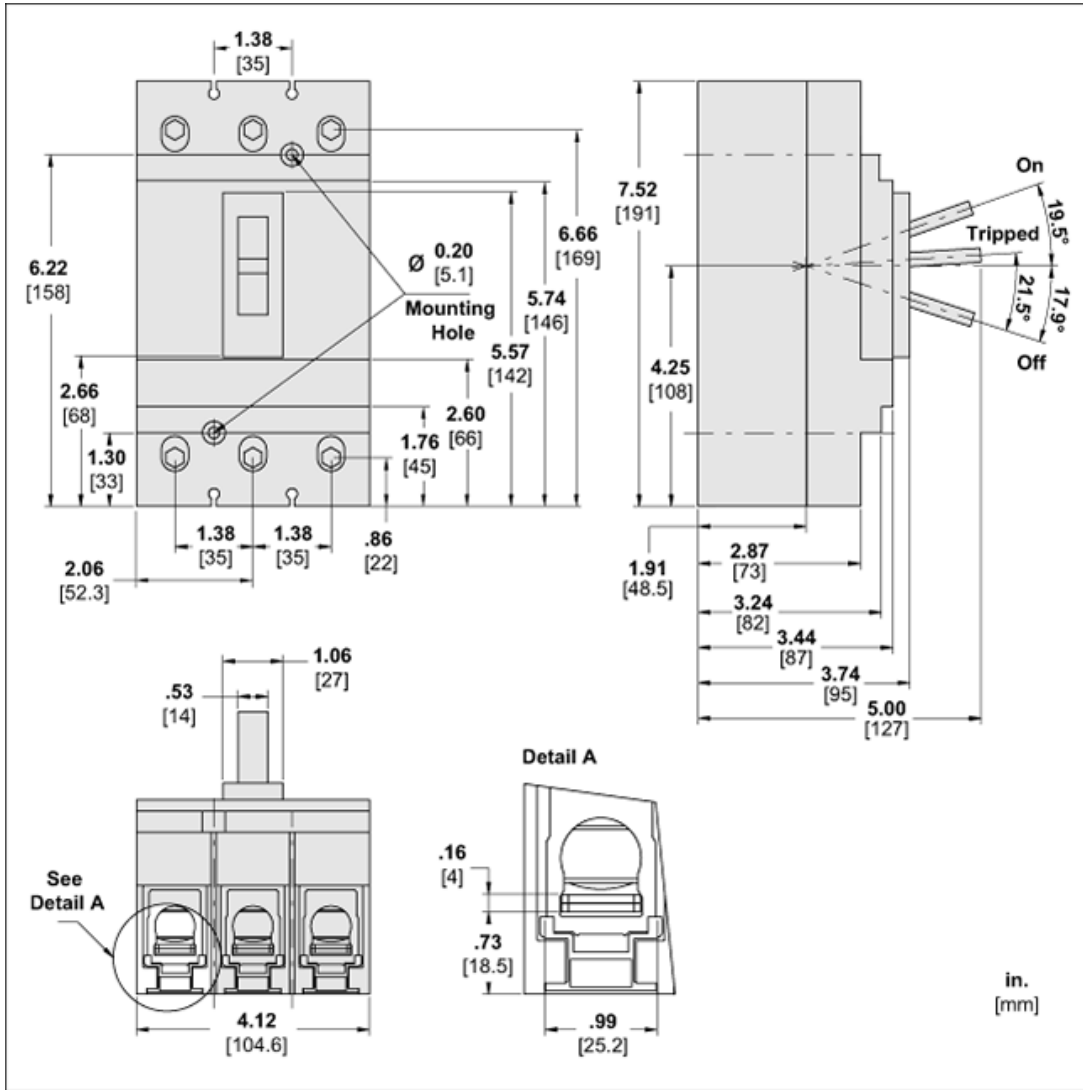
| | |
|-------------|--|
| WEEE | The product must be disposed on European Union markets following specific waste collection and never end up in rubbish bins. |
|-------------|--|

| | |
|-----------------|-----|
| PVC free | Yes |
|-----------------|-----|

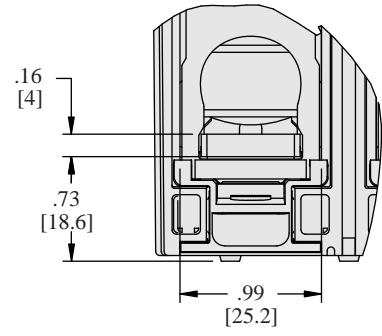
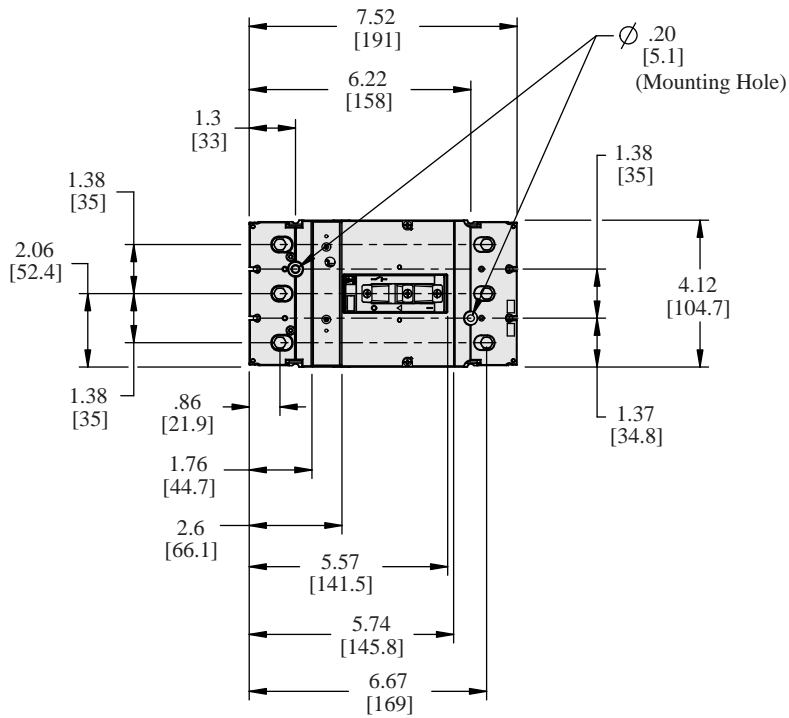
Contractual warranty

| | |
|-----------------|-----------|
| Warranty | 18 months |
|-----------------|-----------|

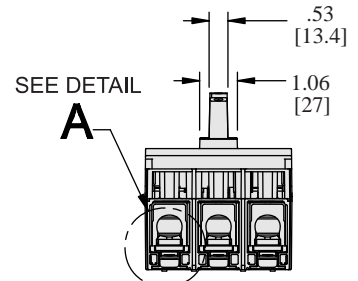
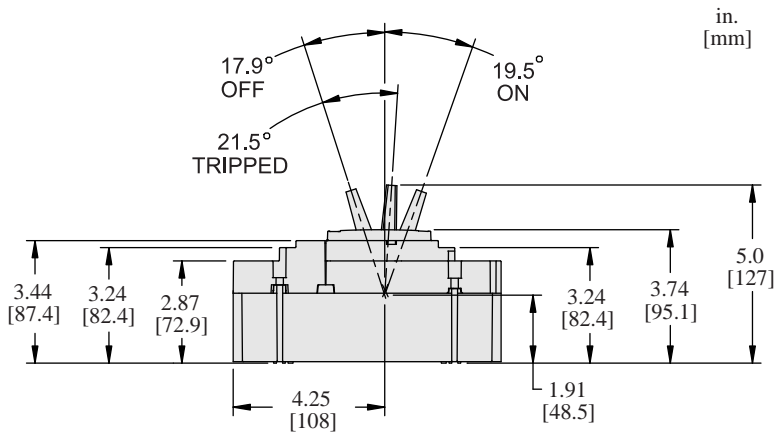
Approximate Dimensions



Dimensions



DETAIL A



ALL DIMENSIONS ARE APPROXIMATE.
 ALSO REFER TO TECHNICAL DRAWINGS AND DOCUMENTATION.