

# Product data sheet

Specifications

SQUARE D

Green Premium™



## Circuit breaker, PowerPact J, 250A, 3 pole, 600VAC, 25kA, lugs, Micrologic 3.2S, 80%

JJL36250U33X

Product availability : Stock - Normally stocked in distribution facility

**Price\* : 5,923.00 USD**

### Main

Product or Component Type      Circuit breaker

### Complementary

Line Rated Current                  250 A

Number of Poles                      3P

Control Type                          Toggle

Breaking capacity code              J

Breaking capacity                    100 kA 240 V AC 50/60 Hz UL 489  
65 kA 480 V AC 50/60 Hz UL 489  
25 kA 600 V AC 50/60 Hz UL 489  
20 kA 250 V DC UL 489

[Ue] rated operational voltage      600 V AC 50/60 Hz IEC 60947-3

Network Frequency                  50/60 Hz

[Ics] rated service breaking capacity      65 kA 220/240 V AC 50/60 Hz IEC 60947-2  
35 kA 380/440/415 V AC 50/60 Hz IEC 60947-2  
18 kA 500/525 V AC 50/60 Hz IEC 60947-2  
20 kA 250 V DC IEC 60947-2  
20 kA 500 V DC IEC 60947-2

[Uimp] rated impulse withstand voltage      8 kV IEC 60947-2

Trip unit technology                  Electronic, standard, Micrologic 3.2 S, LSI

Continuous current rating          80 %

[Ui] rated insulation voltage        750 V IEC 60947-2

Trip unit name                        Micrologic 3.2 S

Protection Type                      Overload protection  
Short-circuit protection

Suitability for isolation              Yes IEC 60947-2

Utilisation category                  Category A

AWG gauge                              AWG 3/0...350 kcmil aluminium/copper terminals

Local signalling                      Ready 1 LED green)  
Alarm 1 LED 90 % Ir orange)  
Alarm 1 LED 105 % Ir red)  
Switched off (OFF) 1 trip indicator green)

Mounting mode                        Unit mount lug)

Mounting Support                      Lug

\* Price is "List Price" and may be subject to a trade discount – check with your local distributor or retailer for actual price.

Electrical connection	Lugs line Lugs load
Terminal identifier	AL250JD
Long time pick-up adjustment range	0.25...1 x I <sub>n</sub>
Tightening torque	221.27 lbf.in (25 N.m) 0.15...0.29 in <sup>2</sup> (95...185 mm <sup>2</sup> ) (AWG 3/0...350 kcmil)
Number of slots	2 auxiliary switch OF plug-in) 1 alarm switch SD plug-in) 1 overcurrent trip switch SDE plug-in) 1 voltage release MN or MX plug-in)
Power wire stripping length	0.98 in (25 mm)
Height	7.52 in (191 mm)
Width	4.09 in (104 mm)
Depth	3.39 in (86 mm)
Net Weight	5.29 lb(US) (2.4 kg)
Communication interface	Modbus

## Environment

Quality labels	CE
Standards	UL CSA NEMA NOM-003-SCFI-2000 IEC 60947-2
Product certifications	UL CSA NOM
IP degree of protection	Front cover IP40
Pollution degree	3
Ambient Air Temperature for Operation	28...158 °F (-2...70 °C)
Ambient Air Temperature for Storage	-58...185 °F (-50...85 °C)
Operating altitude	< 6561.68 ft (2000 m) without derating 5000 m with derating

## Ordering and shipping details

Category	01107-H/J ELEC TRIP UNIT MOUNT BREAKER/SW
Discount Schedule	DE2
GTIN	785901511762
Nbr. of units in pkg.	1
Package weight(Lbs)	48.50 lb(US) (22.0 kg)
Returnability	No
Country of origin	US

## Packing Units

Unit Type of Package 1	PCE
Package 1 Height	12.20 in (31 cm)
Package 1 width	11.81 in (30 cm)
Package 1 Length	20.47 in (52 cm)

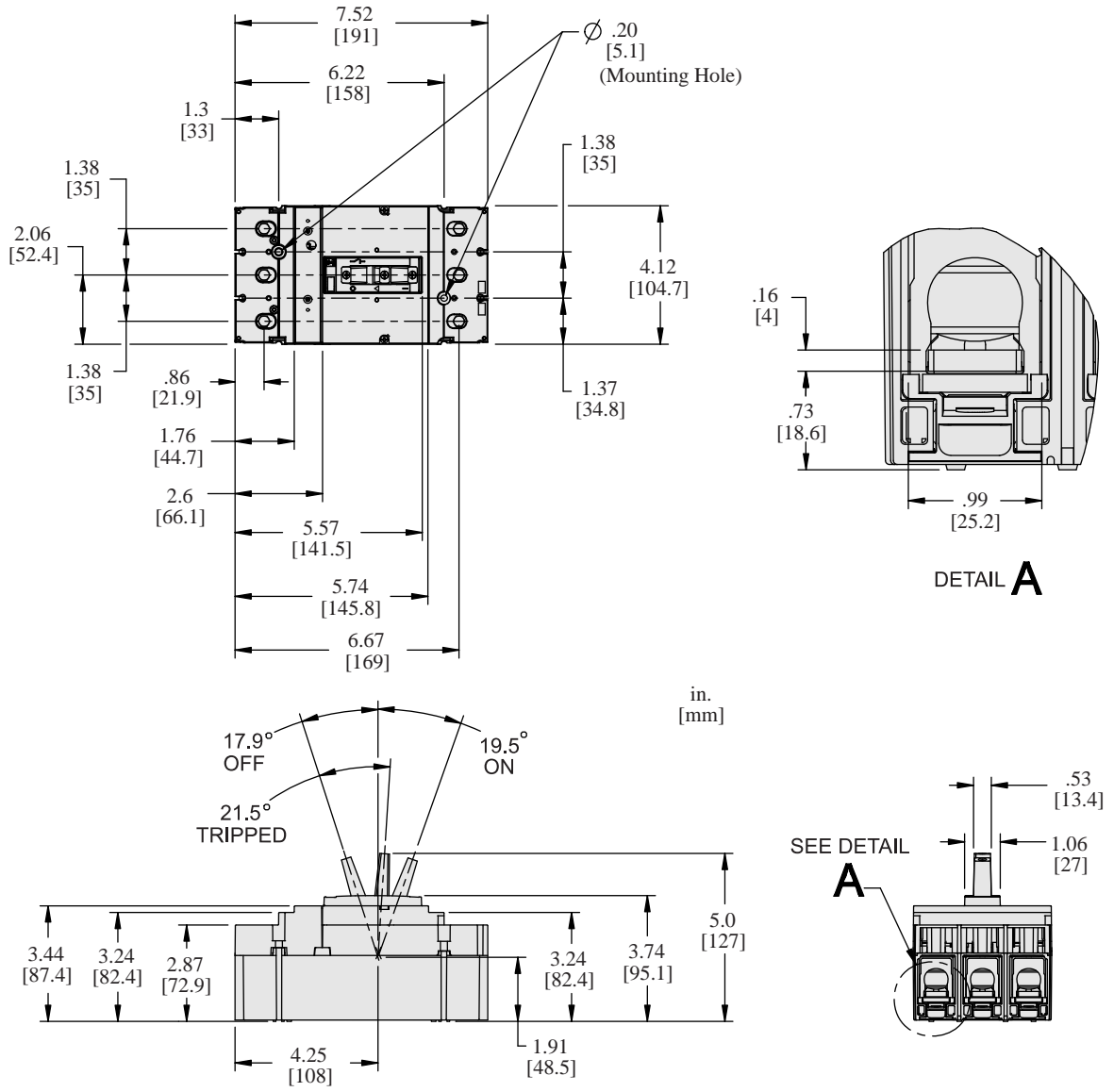
## Offer Sustainability

<b>Sustainable offer status</b>	Green Premium product
<b>California proposition 65</b>	WARNING: This product can expose you to chemicals including: DINP, which is known to the State of California to cause cancer, and DIDP, which is known to the State of California to cause birth defects or other reproductive harm. For more information go to <a href="http://www.P65Warnings.ca.gov">www.P65Warnings.ca.gov</a>
<b>REACH Regulation</b>	<a href="#">REACH Declaration</a>
<b>EU RoHS Directive</b>	Compliant <a href="#">EU RoHS Declaration</a>
<b>Mercury free</b>	Yes
<b>RoHS exemption information</b>	<a href="#">Yes</a>
<b>China RoHS Regulation</b>	<a href="#">China RoHS declaration</a> Product out of China RoHS scope. Substance declaration for your information.
<b>Environmental Disclosure</b>	<a href="#">Product Environmental Profile</a>
<b>Circularity Profile</b>	<a href="#">End of Life Information</a>
<b>PVC free</b>	Yes

## Contractual warranty

<b>Warranty</b>	18 months
-----------------	-----------

Dimensions



ALL DIMENSIONS ARE APPROXIMATE.  
 ALSO REFER TO TECHNICAL DRAWINGS AND DOCUMENTATION.