

# Steel wall mount enclosure



## Single door wall mount enclosure

### Supply Include

Enclosure and door ,mounting plate, lock system, gland plate, sealing gasket and fixing accessories.

### Standard Configuration

Paint finish epoxy polyester powder coating textured finish

Color: RAL 7032 or RAL 7035

Protection degree:IP 66

Against mechanical impacts: IK 10

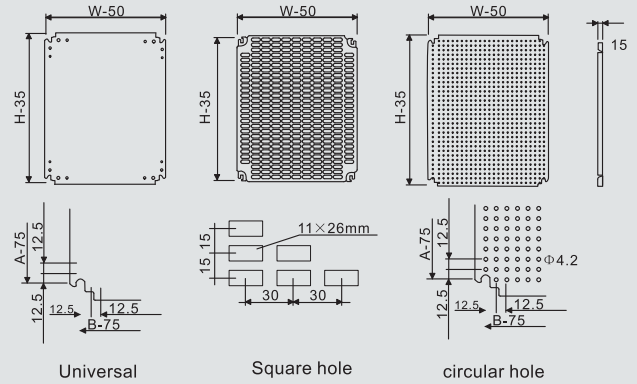
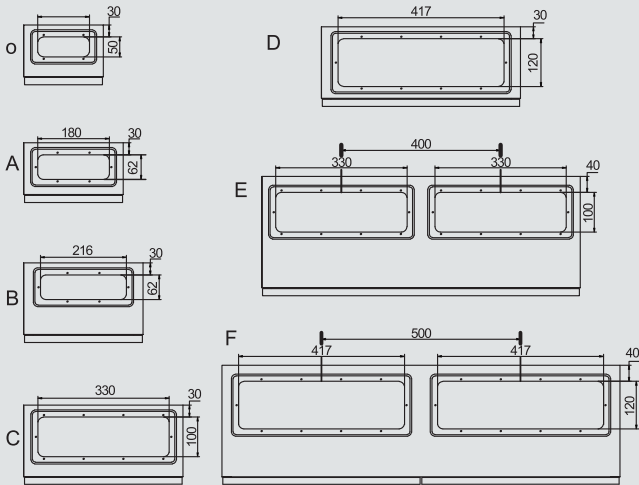
### Thickness:

Enclosure & door: sheet steel 1.2mm till size

ST6 820 then 1.5mm.

### Mounting p late:

zinc-coated steel 1.5mm till size ST6 820 then 2.0mm



Note: door hinges on the left for the left open door, door hinges on the right for the right open door

## Selection Table

Model	W	H	D	No.of lock	Gland open
ST2 215	200	200	150	1	O
ST2 2515	200	250	150	1	O
ST25 2515	250	250	150	1	A
ST2 315	200	300	150	1	O
ST25 315	250	300	150	1	A
ST3 315	300	300	150	1	B
ST4 315	400	300	150	1	B
ST3 415	300	400	150	1	B
ST4 415	400	400	150	1	B
ST3 515	300	500	150	1	B
ST4 515	400	500	150	1	B
ST5 515	500	500	150	1	D
ST4 615	400	600	150	2	C
ST5 615	500	600	150	2	D
ST25 320	250	300	200	1	A
ST3 320	300	300	200	1	B
ST4 320	400	300	200	1	B
ST3 420	300	400	200	1	B
ST4 420	400	400	200	1	B
ST6 420	600	400	200	1	D
ST3 520	300	500	200	1	B
ST4 520	400	500	200	1	C

Model	W	H	D	No.of lock	Gland open
ST5 520	500	500	200	1	D
ST4 620	400	600	200	2	C
ST5 620	500	600	200	2	D
ST6 620	600	600	200	2	D
ST5 720	500	700	200	2	D
ST6 720	600	700	200	2	D
ST6 820	600	800	200	2	D
ST8 820	800	800	200	2	E
ST6 1020	600	1000	200	3	D
ST8 1020	800	1000	200	3	E
ST6 1220	600	1200	200	3	D
ST8 1220	800	1200	200	3	E
ST4 425	400	400	250	1	C
ST6 425	600	400	250	1	D
ST4 525	400	500	250	1	C
ST5 525	500	500	250	1	D
ST4 625	400	600	250	2	C
ST5 625	500	600	250	2	D
ST6 625	600	600	250	2	D
ST5 725	500	700	250	2	D
ST6 825	600	800	250	2	D
ST8 825	800	800	250	2	E

Model	W	H	D	No.of lock	Gland open
ST6 1025	600	1000	250	3	D
ST8 1025	800	1000	250	3	E
ST6 1225	600	1200	250	3	D
ST8 1225	800	1200	250	3	E
ST4 530	400	500	300	1	C
ST4 630	400	600	300	2	C
ST5 630	500	600	300	2	D
ST6 630	600	600	300	2	D
ST5 730	500	700	300	2	D
ST6 830	600	800	300	2	D
ST8 830	800	800	300	2	E
ST6 1030	600	1000	300	3	D
ST6 1230	600	1200	300	3	D
ST8 1030	800	1000	300	3	E
ST8 1230	800	1200	300	3	E
ST8 1430	800	1400	300	3	E
ST6 840	600	800	400	2	D
ST8 840	800	800	400	2	E
ST6 1040	600	1000	400	3	D
ST8 1040	800	1000	400	3	E
ST6 1240	600	1200	400	3	D
ST8 1240	800	1200	400	3	E
ST8 1440	800	1400	400	3	E

# Double door wall mount enclosure Gland box for wall mount enclosure



## Double door wall mount enclosure

Supply Include

Enclosure and door with lock system, galvanised mounting plate, gland plate, sealing gasket and fixing accessories.

Standard Configuration

Paint finish epoxy polyester powder coating textured finish

Color: RAL 7032 or RAL 7035

Protection degree: IP 55

Against mechanical impacts: IK 10

Thickness:

Enclosure & door: sheet steel 1.5mm.

Mounting plate:

Galvanised sheet steel :2.0mm

### STD(standard lock K2)

Model	W	H	D	No.of lock	Gland open
STD8 620	800	600	200	2	E
STD8 625	800	600	250	2	E
STD8 630	800	600	300	2	E
STD8 640	800	600	400	2	E
STD10 620	1000	600	200	2	E
STD10 625	1000	600	250	2	E
STD10 630	1000	600	300	2	E
STD10 640	1000	600	400	2	E
STD12 620	1200	600	200	2	E
STD12 625	1200	600	250	2	E
STD12 630	1200	600	300	2	E
STD12 640	1200	600	400	2	E
STD8 820	800	800	200	2	F
STD8 825	800	800	250	2	F
STD8 830	800	800	300	2	F
STD8 840	800	800	400	2	F
STD10 820	1000	800	200	2	F
STD10 825	1000	800	250	2	F
STD10 830	1000	800	300	2	F
STD10 840	1000	800	400	2	F
STD12 820	1200	800	200	2	F
STD12 825	1200	800	250	2	F
STD12 830	1200	800	300	2	F
STD12 840	1200	800	400	2	F
STD10 1020	1000	1000	200	2	F
STD10 1025	1000	1000	250	2	F
STD10 1030	1000	1000	300	2	F
STD10 1040	1000	1000	400	2	F
STD12 1020	1200	1000	200	2	F
STD12 1025	1200	1000	250	2	F
STD12 1030	1200	1000	300	2	F
STD12 1040	1200	1000	400	2	F
STD10 1220	1000	1200	200	2	F
STD10 1225	1000	1200	250	2	F
STD10 1230	1000	1200	300	2	F
STD10 1240	1000	1200	400	2	F

### STDD(Rod Centre lock) with lock MS821

Model	W	H	D	No.of lock	Gland open
STDD8 620	800	600	200	1	E
STDD8 625	800	600	250	1	E
STDD8 630	800	600	300	1	E
STDD8 640	800	600	400	1	E
STDD10 620	1000	600	200	1	E
STDD10 625	1000	600	250	1	E
STDD10 630	1000	600	300	1	E
STDD10 640	1000	600	400	1	E
STDD12 620	1200	600	200	1	E
STDD12 625	1200	600	250	1	E
STDD12 630	1200	600	300	1	E
STDD12 640	1200	600	400	1	E
STDD8 820	800	800	200	1	F
STDD8 825	800	800	250	1	F
STDD8 830	800	800	300	1	F
STDD8 840	800	800	400	1	F
STDD10 820	1000	800	200	1	F
STDD10 825	1000	800	250	1	F
STDD10 830	1000	800	300	1	F
STDD10 840	1000	800	400	1	F
STDD12 820	1200	800	200	1	F
STDD12 825	1200	800	250	1	F
STDD12 830	1200	800	300	1	F
STDD12 840	1200	800	400	1	F
STDD10 1020	1000	1000	200	1	F
STDD10 1025	1000	1000	250	1	F
STDD10 1030	1000	1000	300	1	F
STDD10 1040	1000	1000	400	1	F
STDD12 1020	1200	1000	200	1	F
STDD12 1025	1200	1000	250	1	F
STDD12 1030	1200	1000	300	1	F
STDD12 1040	1200	1000	400	1	F
STDD10 1220	1000	1200	200	1	F
STDD10 1225	1000	1200	250	1	F
STDD10 1230	1000	1200	300	1	F
STDD10 1240	1000	1200	400	1	F



## Gland box

GB series box can be used as the gland box of the ST wall mount enclosure,

Material:sheet steel 1.2mm ,surface finish:epoxy polyester powder coating textured finish Color:RAL7035 or RAL 7032

Model	Size(mm)		
	W	H	D
GB432	300	400	200
GB532	300	500	200
GB632	300	600	200
GB8325	300	800	250
GB4252	250	400	200
GB5252	250	500	200
GB6252	250	600	200
GB82525	250	800	250
GB422	200	400	200
GB522	200	500	200
GB1033	300	1000	300

more size to be request to the clients



# Toughened glass door wall mount enclosure

## Inner door wall mount enclosure

### Toughened glass door+inner door wall mount enclosure



#### Plexiglass door wall mount enclosure(STP)

Supply include: enclosure and door with glass ,with lock system, galvanised mounting plate, gland plate, sealing gasket and fixing accessories.

Color: RAL 7032 or RAL 7035, paint finish epoxy polyester powder coating textured finish

Protection degree: IP 66 Against mechanical impacts:IK10

Thickness: enclosure & door : sheet steel 1.2mm till size STP6 820 then 1.5mm, mounting plate:galvanised steel 1.5mm till size STP6 820 then 2.0mm, plexiglass door 4.0mm

Model	W × H × D(mm)	No.of lock
STP3 415	300×400×150	1
STP3 420	300×400×200	1
STP4 315	400×300×150	1
STP4 420	400×400×200	1
STP4 520	400×500×200	1
STP4 620	400×600×200	2
STP5 520	500×500×200	1
STP5 720	500×700×200	2
STP5 725	500×700×250	2
STP6 420	600×400×200	1

Model	W × H × D(mm)	No.of lock
STP6 620	600×600×200	2
STP6 625	600×600×250	2
STP6 630	600×600×300	2
STP6 820	600×800×200	2
STP6 825	600×800×250	2
STP6 830	600×800×300	2
STP6 1230	600×1200×300	3
STP8 830	800×800×300	2
STP8 1030	800×1000×300	3
STP8 1230	800×1200×300	3



#### Inner door wall mount enclosure(STI)

Supply include: enclosure and door & inner door ,with lock system, galvanised mounting plate, gland plate, sealing gasket and fixing accessories.

Color: RAL 7032 or RAL 7035, paint finish epoxy polyester powder coating textured finish

Protection degree: IP 66 Against mechanical impacts:IK10

Enclosure, door & inner door: sheet steel 1.2mm till size STI6 820 then 1.5mm, mounting plate:galvanised steel 1.5mm till size STI6 820 then 2.0mm, inner door 1.2mm

Model	W × H × D(mm)	No.of lock
STI3 415	300×400×150	1
STI3 420	300×400×200	1
STI4 315	400×300×150	1
STI4 420	400×400×200	1
STI4 520	400×500×200	1
STI4 620	400×600×200	2
STI5 520	500×500×200	1
STI5 720	500×700×200	2
STI5 725	500×700×250	2
STI6 420	600×400×200	1

Model	W × H × D(mm)	No.of lock
STI6 620	600×600×200	2
STI6 625	600×600×250	2
STI6 630	600×600×300	2
STI6 820	600×800×200	2
STI6 825	600×800×250	2
STI6 830	600×800×300	2
STI6 1230	600×1200×300	3
STI8 830	800×800×300	2
STI8 1030	800×1000×300	3
STI8 1230	800×1200×300	3



#### Toughened glass door + inner door wall mount enclosure(STIP)

Supply include: enclosure and door with glass,inner door,with lock system, galvanised mounting plate,gland plate, sealing gasket and fixing accessories.

Color: RAL 7032 or RAL 7035, paint finish epoxy polyester powder coating textured finish

Protection degree: IP 66 Against mechanical impacts:IK10

Enclosure & door sheet steel 1.2mm till size STIP6 820 then 1.5mm, mounting plate:zinc-coated steel 1.5mm till size STIP6 820 then 2.0mm, plexiglass door 4.0mm, inner door: 1.2mm

Model	W × H × D(mm)	No.of lock
STIP3 415	300×400×150	1
STIP3 420	300×400×200	1
STIP4 315	400×300×150	1
STIP4 420	400×400×200	1
STIP4 520	400×500×200	1
STIP4 620	400×600×200	2
STIP5 520	500×500×200	1
STIP5 720	500×700×200	2
STIP5 725	500×700×250	2
STIP6 420	600×400×200	1

Model	W × H × D(mm)	No.of lock
STIP6 620	600×600×200	2
STIP6 625	600×600×250	2
STIP6 630	600×600×300	2
STIP6 820	600×800×200	2
STIP6 825	600×800×250	2
STIP6 830	600×800×300	2
STIP6 1230	600×1200×300	3
STIP8 830	800×800×300	2
STIP8 1030	800×1000×300	3
STIP8 1230	800×1200×300	3

more size to be request to the client