

Product data sheet

Specifications



Harmony XB4, Wireless and batteryless push button, metal, green, Ø22, spring return

ZB4RTA3

Product availability : Stock - Normally stocked in distribution facility

Price* : 130.00 USD

Main

| | |
|---------------------------|--------------------------------------|
| Range of Product | Harmony XB5 |
| Product or Component Type | Wireless and batteryless transmitter |
| Device short name | XB5R |
| Bezel material | Chromium plated metal |
| Fixing collar material | Zamak |
| Mounting diameter | 0.87 in (22 mm) |
| Transmission frequency | 2405 MHz |
| Emission class | 5M00G7W |
| Antenna type | Omnidirectional |

Complementary

| | |
|------------------------------|--|
| Shape of signaling unit head | Round |
| Type of operator | spring return push-button with transmitter |
| Operator profile | Green flush |
| Max power consumption in W | 1 mW |
| Number of Channels | 16 |
| Modulation technique | O-QPSK |
| Bandwidth | 5 MHz |
| Antenna gain | 0 dBi |
| Embedding Depth | 1.65 in (42 mm) |
| CAD overall height | 1.63 in (41.5 mm) |
| CAD overall width | 1.18 in (30 mm) |
| CAD overall depth | 1.69 in (43 mm) |
| Net Weight | 0.10 lb(US) (0.045 kg) |
| Operating travel | 0.17 in (4.3 mm) total travel) |
| Operating force | 10 N C/O changing electrical state |
| Mechanical robustness | Free fall resistance 1000 mm EN/IEC 60068-2-32 |
| Standards | CSA C22.2 No 14 EN/IEC 60947-1 |

* Price is "List Price" and may be subject to a trade discount – check with your local distributor or retailer for actual price.

| | |
|------------------------------------|--|
| Radio agreement | ANATEL ARIB T66 FCC ICASA RSS |
| Communication port protocol | Zigbee green power 2.4 GHz IEEE 802.15.4 |
| Maximum sensing distance | 328.08 ft (100 m) in free field 82.02 ft (25 m) transmitter in a plastic box type XAL D and receiver in a metal enclosure 984.25 ft (300 m) transmitter in box type XAL D, receiver in metal enclosure and use relay-antenna |
| Acquisition time | 2 ms |
| Response time | < 2 ms |
| Emission Power | 3 mW |
| Fixing mode | Fixing screw beneath head 7.08...10.62 lbf.in (0.8...1.2 N.m) |
| Electrical composition code | PW1 |

Environment

| | |
|--|--|
| Protective treatment | TH |
| Ambient Air Temperature for Storage | -40...158 °F (-40...70 °C) |
| Ambient Air Temperature for Operation | -40...158 °F (-40...70 °C) |
| Relative humidity | 95 % -40...158 °F (-40...70 °C) without condensation |
| IP degree of protection | IP66 IEC 60529 front face) IP67 IEC 60529 front face) IP69 IEC 60529 front face) IP69K IEC 60529 front face) |
| IK degree of protection | IK03 IEC 50102 |
| Mechanical durability | 1000000 cycles |
| Shock resistance | 25 gn 6 ms) 6000 shocks IEC 60068-2-27 30 gn 18 ms) half sine wave acceleration IEC 60068-2-27 50 gn 11 ms) half sine wave acceleration IEC 60068-2-27 |
| Vibration resistance | 5 gn 11...500 Hz)IEC 60068-2-6 +/- 10 mm 2...11 Hz)IEC 60068-2-6 |
| Electromagnetic compatibility | Electrostatic discharge immunity test 8 kV in free air (in insulating parts)) IEC 61000-4-2 Electrostatic discharge immunity test 4 kV on contact (on metal parts)) IEC 61000-4-2 Susceptibility to electromagnetic fields 20 V/m 80...3000 MHz) IEC 61000-4-3 Susceptibility to electromagnetic fields 6 V/m 3000...6000 MHz, distance = 20 m) IEC 61000-4-3 |
| Product Certifications | BT 2006/95/EC C-tick CCC UL GOST CSA |
| Directives | 1999/5/EC - R&TTE directive 2004/108/EC - electromagnetic compatibility |

Ordering and shipping details

| | |
|------------------------------|---------------------------------|
| Category | 22470-XB5R WIRELESS PUSH BUTTON |
| Discount Schedule | I |
| GTIN | 3606480334504 |
| Nbr. of units in pkg. | 1 |
| Package weight(Lbs) | 3.28 oz (93.0 g) |
| Returnability | Yes |
| Country of origin | FR |

Packing Units

| | |
|------------------------------|------------------------|
| Unit Type of Package 1 | PCE |
| Package 1 Height | 2.09 in (5.3 cm) |
| Package 1 width | 1.34 in (3.4 cm) |
| Package 1 Length | 3.43 in (8.7 cm) |
| Unit Type of Package 2 | S01 |
| Number of Units in Package 2 | 25 |
| Package 2 Weight | 5.56 lb(US) (2.523 kg) |
| Package 2 Height | 5.91 in (15.0 cm) |
| Package 2 width | 5.91 in (15.0 cm) |
| Package 2 Length | 15.75 in (40.0 cm) |

Offer Sustainability

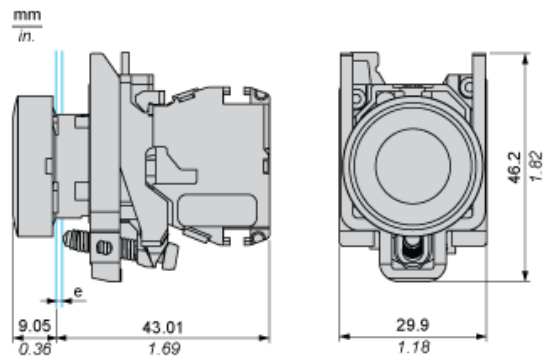
| | |
|----------------------------|---|
| Sustainable offer status | Green Premium product |
| California proposition 65 | WARNING: This product can expose you to chemicals including: Lead and lead compounds, which is known to the State of California to cause cancer and birth defects or other reproductive harm. For more information go to www.P65Warnings.ca.gov |
| REACH Regulation | REACH Declaration |
| REACH free of SVHC | Yes |
| EU RoHS Directive | Pro-active compliance (Product out of EU RoHS legal scope) EU RoHS Declaration |
| Mercury free | Yes |
| RoHS exemption information | Yes |
| China RoHS Regulation | China RoHS declaration |
| Environmental Disclosure | Product Environmental Profile |
| Circularity Profile | End of Life Information |
| WEEE | The product must be disposed on European Union markets following specific waste collection and never end up in rubbish bins. |

Contractual warranty

| | |
|----------|-----------|
| Warranty | 18 months |
|----------|-----------|

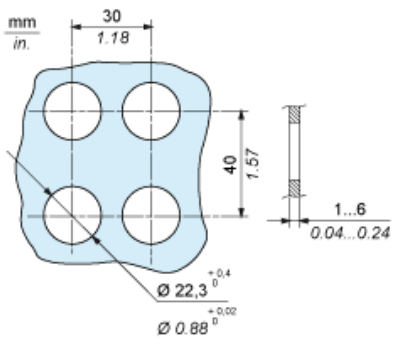
Wireless and Batteryless Pushbutton - Transmitter

With Metal Pushbutton without Cap

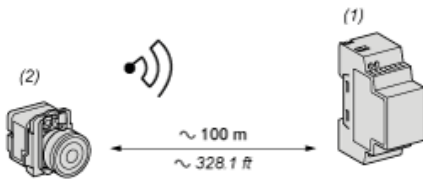


e: panel thickness 1 to 6 mm / 0.039 to 0.24 in.

Transmitter Mounting

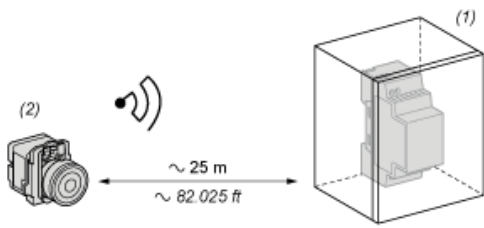


Transmitter Clearance in Free Field Unobstructed



- (1): Receiver
- (2): Transmitter

Transmitter Clearance in a Metal Enclosure



- (1): Metal enclosure
- (2): Transmitter

The range is reduced if the transmitter is placed in a metal enclosure (reduction factor: approx 10%)

| | |
|-----------------|------------|
| Glass window | 10...20 % |
| Plaster wall | 30...45 % |
| Brick wall | 60 % |
| Concrete wall | 70...80 % |
| Metal structure | 50...100 % |