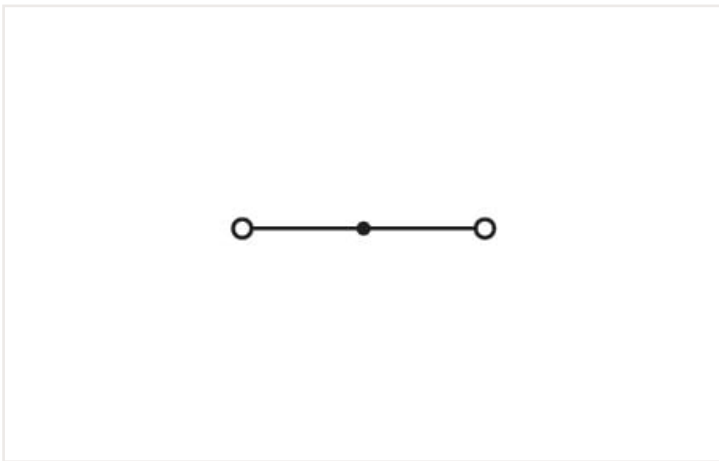
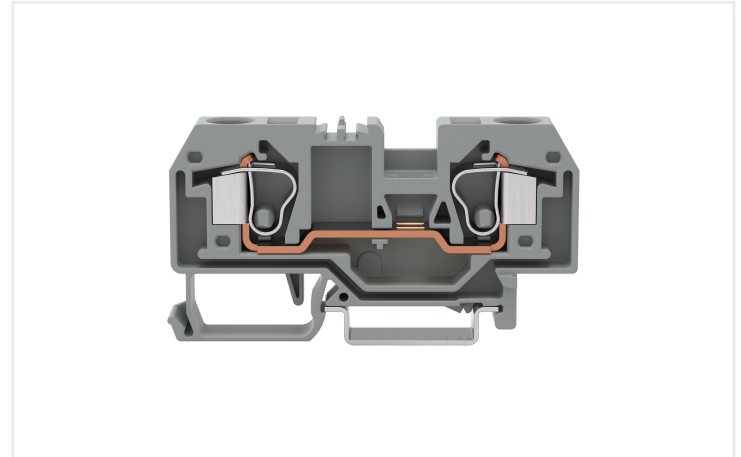
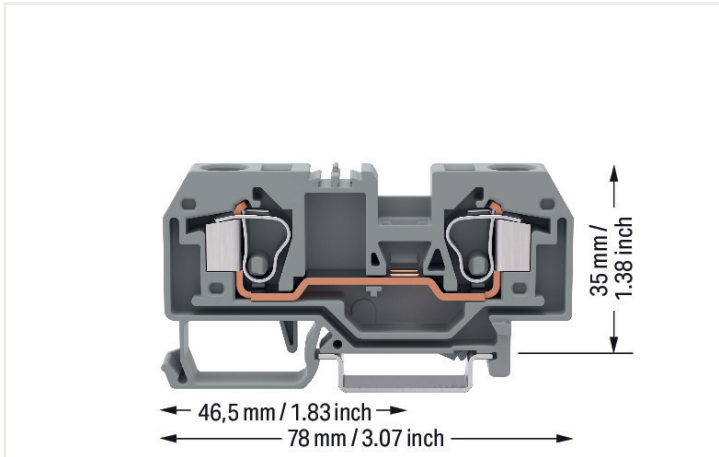


## Data sheet | Item number: 284-901

2-conductor through terminal block; 10 mm<sup>2</sup>; center marking; for DIN-rail 35 x 15 and 35 x 7.5; CAGE CLAMP®; 10,00 mm<sup>2</sup>; gray

<https://www.wago.com/284-901>



### Electrical data

#### Ratings per IEC/EN

Ratings per	IEC/EN 60947-7-1
Nominal voltage (III/3)	800 V
Rated impulse voltage (III/3)	8 kV
Rated current	57 A
Legend (ratings)	(III / 3) ≙ Overvoltage category III / Pollution degree 3

#### Power loss

Power loss, per pole (potential)	1.8194 W
Rated current $I_N$ for specified power loss	57 A
Resistance value for specified, current-dependent power loss	0.00056 Ω

### Connection data

Total number of connection points	2
Total number of potentials	1
Number of levels	1

#### Connection 1

Connection technology	CAGE CLAMP®
Actuation type	Operating tool
Connectable conductor materials	Copper
Solid conductor	0.2 ... 10 mm <sup>2</sup> / 24 ... 8 AWG
Fine-stranded conductor	0.2 ... 10 mm <sup>2</sup> / 24 ... 8 AWG
Strip length	12 ... 13 mm / 0.47 ... 0.51 inches
Wiring direction	Front-entry wiring

### Physical data

Width	10 mm / 0.394 inches
Height	78 mm / 3.071 inches
Depth from upper-edge of DIN-rail	35 mm / 1.378 inches

### Mechanical data

Mounting type	DIN-35 rail
Marking level	Center marking

### Material data

Note (material data)	<a href="#">Information on material data can be found here</a>
Color	gray
Material group	I
Insulation material	Polyamide (PA66)
Flammability class per UL94	V0
Fire load	0.348 MJ
Weight	23.1 g

### Environmental requirements

Processing temperature	-35 ... +85 °C
Continuous operating temperature	-60 ... +105 °C

### Commercial data

Product Group	1 (Rail Mounted Terminal Blocks)
eCl@ss 10.0	27-14-11-20
eCl@ss 9.0	27-14-11-20
ETIM 8.0	EC000897
ETIM 7.0	EC000897
PU (SPU)	25 Stück
Packaging type	Box
Country of origin VKOrg Germany	DE
GTIN	4044918305730
Customs tariff number VKOrg Germany	85369010000

### Approvals and certificates

#### Country specific Approvals



Approval	Standard	Certificate name
CCA DEKRA Certification B.V.	EN 60947	NTR NL-7379
CSA CSA Group	C22.2	1536073
KEMA/KEUR DEKRA Certification B.V.	EN 60947	2178517.01

#### Ship Approvals



Approval	Standard	Certificate name
ABS American Bureau of Ship- ping	EN 60947	20-HG1941090-PDA
DNV GL Det Norske Veritas, Ger- manischer Lloyd	-	TAE00001V2

UL-Approvals



Approval	Standard	Certificate name
UL UL International Germany GmbH	UL 1059	E45172

1 Compatible products

1.1 Required accessories

1.1.1 End plate

1.1.1.1 End plate



**Item no.: 284-325**  
End and intermediate plate; 2.5 mm thick; gray



**Item no.: 284-328**  
End and intermediate plate; 2.5 mm thick; orange



**Item no.: 284-326**  
Separator plate; 2 mm thick; oversized; gray



**Item no.: 284-329**  
Separator plate; 2 mm thick; oversized; orange



**Item no.: 284-357**  
Step-down cover plate; 1 mm thick; for 2-conductor 284-901 terminal blocks; gray



**Item no.: 284-367**  
Step-down cover plate; 1 mm thick; for 2-conductor 284-901 terminal blocks; orange