

Product datasheet

Specifications



Inductive proximity sensors XS, inductive sensor XS1 M18, L53mm, brass, Sn5mm, 12...24 VDC, cable 2 m

XS118BLPAL2

Main

| | |
|-------------------------------|------------------------------------------------------|
| Range of product | Telemecanique Inductive proximity sensors XS |
| Series name | General purpose |
| Sensor type | Inductive proximity sensor |
| Sensor name | XS1 |
| Sensor design | Cylindrical M18 |
| Size | 53 mm |
| Body type | Fixed |
| Enclosure material | Nickel plated brass |
| Type of output signal | Discrete |
| Wiring technique | 3-wire |
| [Sn] nominal sensing distance | 5 mm |
| Discrete output function | 1 NO |
| Discrete output type | PNP |
| Electrical connection | Cable |
| Cable length | 2 m |
| [Us] rated supply voltage | 12...24 V DC with reverse polarity protection |
| Switching capacity in mA | <= 200 mA with overload and short-circuit protection |
| IP degree of protection | IP67 conforming to IEC 60529 |

Complementary

| | |
|------------------------------------|-----------------|
| ISO thread | M18 x 1 |
| Detection face | Frontal |
| Detector flush mounting acceptance | Flush mountable |
| Material | Metal |
| Front material | PBT |
| Operating zone | 0...4 mm |
| Differential travel | 1...15% of Sr |
| Output circuit type | DC |

| | |
|--------------------------|------------------------------|
| Cable composition | 3 x 0.14 mm ² |
| Wire insulation material | PVC |
| Status LED | Output state: 1 LED (yellow) |
| Supply voltage limits | 10...36 V DC |
| Switching frequency | <= 1200 Hz |
| Maximum voltage drop | <2 V (closed) |
| Current consumption | <= 10 mA no-load |
| Maximum delay first up | 15 ms |
| Maximum delay response | 0.1 ms |
| Maximum delay recovery | 0.3 ms |
| Marking | CE |
| Threaded length | 41 mm |
| Length | 53 mm |
| Net weight | 0.105 kg |

Environment

| | |
|---------------------------------------|-------------------------------------------------------------------------|
| Product certifications | UL CSA |
| Ambient air temperature for operation | -25...70 °C |
| Ambient air temperature for storage | -40...85 °C |
| Vibration resistance | 25 gn amplitude = +/- 2 mm (f = 10...55 Hz) conforming to IEC 60068-2-6 |
| Shock resistance | 50 gn for 11 ms conforming to IEC 60068-2-27 |

Packing Units

| | |
|------------------------------|----------|
| Unit Type of Package 1 | PCE |
| Number of Units in Package 1 | 1 |
| Package 1 Weight | 100.0 g |
| Package 1 Height | 3.2 cm |
| Package 1 width | 11.0 cm |
| Package 1 Length | 14.8 cm |
| Unit Type of Package 2 | S02 |
| Number of Units in Package 2 | 36 |
| Package 2 Weight | 4.108 kg |
| Package 2 Height | 15.0 cm |
| Package 2 width | 30.0 cm |
| Package 2 Length | 40.0 cm |

Offer Sustainability

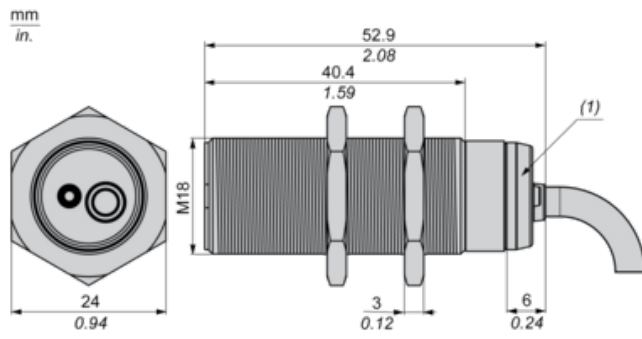
| | |
|--------------------------|---------------------------------------------------------------------------------------------------|
| Sustainable offer status | Green Premium product |
| REACH Regulation | REACH Declaration |
| EU RoHS Directive | Pro-active compliance (Product out of EU RoHS legal scope) EU RoHS Declaration |
| Mercury free | Yes |

| | |
|-----------------------------------|-----------------------------------------------|
| RoHS exemption information | Yes |
| Environmental Disclosure | Product Environmental Profile |
| Circularity Profile | End of Life Information |

Contractual warranty

| | |
|-----------------|-----------|
| Warranty | 18 months |
|-----------------|-----------|

Dimensions



(1) LED

Minimum Mounting Distances

Side by side



$e (1) \geq 10 \text{ mm}/0.39 \text{ in.}$

Face to face



$e (2) \geq 60 \text{ mm}/2.36 \text{ in.}$

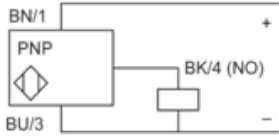
Facing a metal object



$e (3) \geq 15 \text{ mm}/0.60 \text{ in.}$

Wiring Schemes

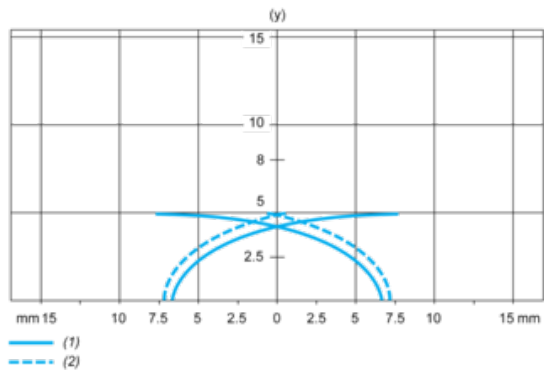
PNP



- BU** : Blue
- BN** : Brown
- BK** : Black

Performance Curves

Standard Steel Target : 18x18x1 mm



- (1) Pick-up points
- (2) Drop-out points (object approaching from the side)
- (y) Sensing distance in mm