

Product datasheet

Specifications



capacitive sensor - XT1 - cylindrical
Ø 32 mm - brass - Sn 15 mm - cable
2 m

Local distributor code: 393606865 XT132B1FAL2

EAN Code : 3389119025775

Main

Range of product	Telemecanique Capacitive proximity sensors XT
Sensor type	Capacitive proximity sensor
Product specific application	Detection of insulated or conductive materials
Sensor name	XT1
Sensor design	Cylindrical Ø 32 mm plain
Size	80 mm
Body type	Fixed
Detector flush mounting acceptance	Flush mountable
Material	Metal
Enclosure material	Nickel plated brass
Type of output signal	Discrete
Wiring technique	2-wire
[Sn] nominal sensing distance	15 mm
Discrete output function	1 NO
Output circuit type	AC
Electrical connection	Cable
Cable length	2 m
[Us] rated supply voltage	24...240 V AC 50...60 Hz
Maximum delay response	30 ms
IP degree of protection	IP67 conforming to IEC 60529 IP67 conforming to IEC 60947-5-2

Complementary

Detection face	Frontal
[Sa] assured operating distance	0...11 mm
Adjustment zone	0...20 mm
Differential travel	< 0.2 x Sr
Repeat accuracy	< 0.15 x Sr
Wire insulation material	PVC

Status LED	Output state indication: 1 LED (yellow)
Supply voltage limits	20...264 V AC
Maximum residual current	5 mA open state
Switching frequency	<= 15 Hz
Maximum voltage drop	<10 V (closed)
Current consumption	< 4 mA
Maximum delay first up	200 ms
Maximum delay recovery	30 ms
Maximum switching current	300 mA
Marking	CE
Setting-up	Sensitivity by potentiometer
Length	80 mm
Net weight	0.4 kg

Environment

Standards	EN/IEC 60947-5-2
Product certifications	cULus
Ambient air temperature for operation	-25...70 °C
Vibration resistance	10 gn amplitude = 1 mm (f = 10...55 Hz) conforming to IEC 60068-2-6
Shock resistance	30 gn for 11 ms conforming to IEC 60068-2-27
Resistance to electrostatic discharge	4 kV contact conforming to IEC 61000-4-2 8 kV air conforming to IEC 61000-4-2
Resistance to electromagnetic fields	3 V/m conforming to IEC 61000-4-3
Resistance to fast transients	2 kV conforming to IEC 61000-4-4

Packing Units

Unit Type of Package 1	PCE
Number of Units in Package 1	1
Package 1 Weight	275.0 g
Package 1 Height	4.5 cm
Package 1 width	12.0 cm
Package 1 Length	13.0 cm
Unit Type of Package 2	S02
Number of Units in Package 2	25
Package 2 Weight	7.281 kg
Package 2 Height	15.0 cm
Package 2 width	30.0 cm
Package 2 Length	40.0 cm

Offer Sustainability

REACH Regulation	REACH Declaration
REACH free of SVHC	Yes
EU RoHS Directive	Pro-active compliance (Product out of EU RoHS legal scope) EU RoHS Declaration

Toxic heavy metal free	Yes
-------------------------------	-----

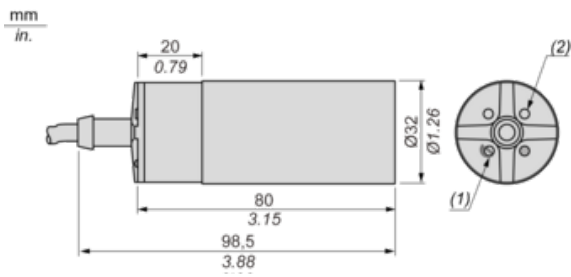
Mercury free	Yes
---------------------	-----

RoHS exemption information	Yes
-----------------------------------	-----

Contractual warranty

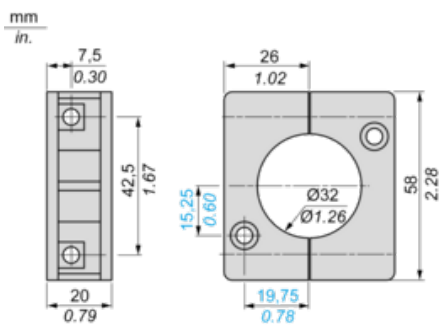
Warranty	18 months
-----------------	-----------

Dimensions



- (1) Adjustment potentiometer
- (2) LED

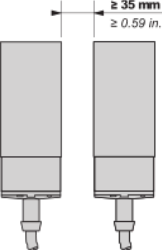
Mounting Accessory Included



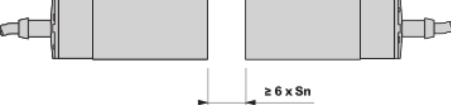
Mounting and Clearance

Minimum Mounting Distances

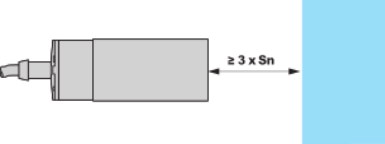
Side by side



Face to face



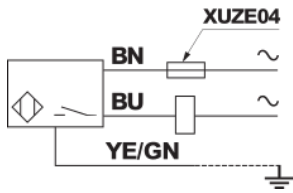
Facing a Metal Object



Connections and schema

Wiring diagram

2-wire AC, NO output, pre-cabled



BN: Brown

BU: Blue

YE/GN: Yellow/Green