

# Product datasheet

Specifications



## photo-electric sensor - XUK - emitter - 24..240VAC - cable 2m

Local distributor code: 388765737 XUK0ARCTL2T

EAN Code : 3389110160451

### Main

Range of product	Telemecanique Photoelectric sensors XU
Series name	General purpose multimode
Electronic sensor type	Photo-electric sensor transmitter
Sensor name	XUK
Sensor design	Compact 50 x 50
Detection system	Thru beam
Material	Plastic
Supply circuit type	AC/DC
Wiring technique	2-wire
Electrical connection	Cable
Cable length	2 m
Product specific application	-
Emission	Infrared thru beam
[Sn] nominal sensing distance	30 m thru beam need a receiver

### Complementary

Enclosure material	PBT
Lens material	PMMA
Maximum sensing distance	35 m thru beam
Add on input	Test by emission breaking
Wire insulation material	PvR
Status LED	1 LED (green) for supply on
[Us] rated supply voltage	12...240 V DC 24...240 V AC
Supply voltage limits	10...264 V DC 20...264 V AC
Switching capacity in mA	3 A (cos $\phi$ = 1 for 0.5 million cycles at 1 operating cycle per second at 250 V)
Switching frequency	$\leq$ 20 Hz
Maximum voltage drop	$<$ 1.5 V (closed state)
Time delay range	0...10 s monostable, on-delay or off-delay (programmable) delay

Setting-up	Without sensitivity adjustment
Depth	50 mm
Height	50 mm
Width	18 mm

## Environment

Product certifications	CSA CE UL
Ambient air temperature for operation	-25...55 °C
Ambient air temperature for storage	-40...70 °C
Vibration resistance	7 gn, amplitude = +/- 1.5 mm (f = 10...55 Hz) conforming to IEC 60068-2-6
Shock resistance	30 gn (duration = 11 ms) conforming to IEC 60068-2-27
IP degree of protection	IP65 double insulation conforming to IEC 60529

## Packing Units

Unit Type of Package 1	PCE
Number of Units in Package 1	1
Package 1 Weight	154.0 g
Package 1 Height	13.2 cm
Package 1 width	9.5 cm
Package 1 Length	4.2 cm
Unit Type of Package 2	S02
Number of Units in Package 2	22
Package 2 Weight	3.752 kg
Package 2 Height	15.0 cm
Package 2 width	30.0 cm
Package 2 Length	40.0 cm

## Offer Sustainability

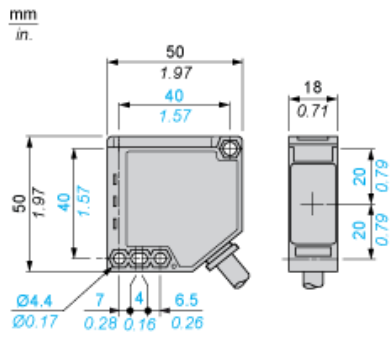
Sustainable offer status	Green Premium product
REACH Regulation	<a href="#">REACH Declaration</a>
EU RoHS Directive	Pro-active compliance (Product out of EU RoHS legal scope) <a href="#">EU RoHS Declaration</a>
Mercury free	Yes
RoHS exemption information	<a href="#">Yes</a>
Environmental Disclosure	<a href="#">Product Environmental Profile</a>
Circularity Profile	<a href="#">End of Life Information</a>

## Contractual warranty

Warranty	18 months
----------	-----------

Dimensions

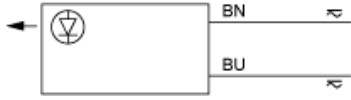
---



**Wiring Schemes**

---

**Thru-beam Transmitter AC**



**BN :** Brown  
**BU :** Blue

Detection Curves

---

With Thru-beam Accessory (Thru-beam)

