

Product datasheet

Specifications



photo-electric sensor - XUK - reflex - Sn 7m - 24..240VAC/DC - cable 2m

Local distributor code: 388765889 XUK1ARCNL2

EAN Code : 3389110161076

Main

Range of product	Telemecanique Photoelectric sensors XU
Series name	General purpose single mode
Electronic sensor type	Photo-electric sensor
Sensor name	XUK
Sensor design	Compact 50 x 50
Detection system	Reflex
Material	Plastic
Type of output signal	Discrete
Supply circuit type	AC/DC
Wiring technique	5-wire
Discrete output function	1 C/O
Electrical connection	Cable
Cable length	2 m
Product specific application	-
Emission	Infrared reflex
[Sn] nominal sensing distance	7 m reflex need reflector XUZC50

Complementary

Enclosure material	PBT
Lens material	PMMA
Maximum sensing distance	10 m reflex
Output type	Relay
Add on input	Breaking test
Cable composition	5 x 0.34 mm ²
Wire insulation material	PVC
Cable outer diameter	6 mm
Status LED	1 LED (yellow) for output state 1 LED (green) for supply
[Us] rated supply voltage	24...240 V AC/DC

Supply voltage limits	20...264 V AC
Switching capacity in mA	3 A (cos ϕ = 1 for 0.5 million cycles at 1 operating cycle per second at 250 V)
Switching frequency	<= 20 Hz
Current consumption	<= 35 mA no-load
Maximum power consumption in W	2 W AC
Maximum delay first up	60 ms
Maximum delay response	25 ms
Maximum delay recovery	25 ms
Setting-up	Without sensitivity adjustment
Electrical durability	500000 cycles, cos f = 1, operating rate <60 cyc/mn at 250 V
Depth	50 mm
Height	50 mm
Width	18 mm
Net weight	0.035 kg

Environment

Product certifications	Ecolab CE
Ambient air temperature for operation	-25...55 °C
Ambient air temperature for storage	-40...70 °C
Vibration resistance	7 gn, amplitude = +/- 1.5 mm (f = 10...55 Hz) conforming to IEC 60068-2-6
Shock resistance	30 gn (duration = 11 ms) conforming to IEC 60068-2-27
IP degree of protection	IP65 double insulation conforming to IEC 60529

Packing Units

Unit Type of Package 1	PCE
Number of Units in Package 1	1
Package 1 Weight	185.0 g
Package 1 Height	4.2 cm
Package 1 width	13.2 cm
Package 1 Length	9.6 cm
Unit Type of Package 2	S02
Number of Units in Package 2	22
Package 2 Weight	4.641 kg
Package 2 Height	15.0 cm
Package 2 width	30.0 cm
Package 2 Length	40.0 cm
Unit Type of Package 3	PAL
Number of Units in Package 3	352
Package 3 Weight	80.9 kg
Package 3 Height	77.0 cm
Package 3 width	60.0 cm

Package 3 Length	80.0 cm
------------------	---------

Offer Sustainability

Sustainable offer status	Green Premium product
--------------------------	-----------------------

REACH Regulation	REACH Declaration
------------------	-----------------------------------

EU RoHS Directive	Pro-active compliance (Product out of EU RoHS legal scope) EU RoHS Declaration
-------------------	---

Mercury free	Yes
--------------	-----

RoHS exemption information	Yes
----------------------------	---------------------

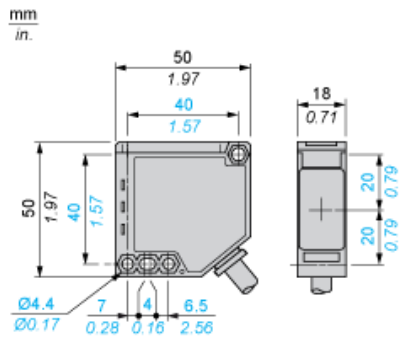
Environmental Disclosure	Product Environmental Profile
--------------------------	---

Circularity Profile	End of Life Information
---------------------	---

Contractual warranty

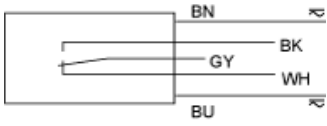
Warranty	18 months
----------	-----------

Dimensions



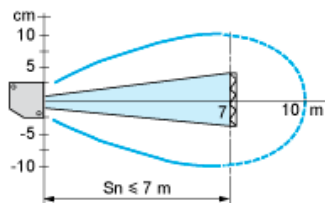
Wiring Schemes

Relay Output



BN : Brown
BU : Blue
NO/BK : Black
Relay common/GY : Green
NC/WH : White

Detection Curves



With reflector XU5C50