

# Product datasheet

Specifications



## photo-electric sensor - XUM - BGS - Sn 0.3m - 12..24VDC - cable 2m

Local distributor code: 399307540 XUM8APCNL2

EAN Code : 3389119060981

### Main

Range of product	Telemecanique Photoelectric sensors XU
Series name	General purpose single mode
Electronic sensor type	Photo-electric sensor
Sensor name	XUM
Sensor design	Miniature
Detection system	Diffuse with background suppression
Material	Plastic
Type of output signal	Discrete
Supply circuit type	DC
Wiring technique	3-wire
Discrete output type	PNP
Discrete output function	1 NO or 1 NC programmable
Electrical connection	Cable
Cable length	2 m
Product specific application	-
Emission	Red diffuse with background suppression
[Sn] nominal sensing distance	0.3 m diffuse with background suppression

### Complementary

Enclosure material	PBT
Lens material	PC
Maximum sensing distance	0.3 m diffuse with background suppression
Output type	Solid state
Wire insulation material	PVC
Status LED	1 LED (yellow) for output state 1 LED (red) for instability
[Us] rated supply voltage	12...24 V DC
Supply voltage limits	10...30 V DC
Switching capacity in mA	<= 100 mA (overload and short-circuit protection)

Switching frequency	<= 500 Hz
Maximum voltage drop	<1.5 V (closed state)
Current consumption	35 mA no-load
Maximum delay first up	30 ms
Maximum delay response	1 ms
Maximum delay recovery	1 ms
Setting-up	Without sensitivity adjustment
Depth	27 mm
Height	38 mm
Length	11 mm
Width	12 mm
Net weight	0.08 kg

## Environment

Product certifications	UL CSA CE
Ambient air temperature for operation	-25...55 °C
Ambient air temperature for storage	-30...70 °C
Immunity to ambient light	3000 lux natural light 3000 lux incandescent light
Vibration resistance	7 gn, amplitude = +/- 1.5 mm (f = 10...55 Hz) conforming to IEC 60068-2-6
Shock resistance	30 gn (duration = 11 ms) conforming to IEC 60068-2-27
IP degree of protection	IP67 double insulation conforming to IEC 60529 IP65 double insulation conforming to IEC 60529

## Packing Units

Unit Type of Package 1	PCE
Number of Units in Package 1	1
Package 1 Weight	60.0 g
Package 1 Height	3.657 cm
Package 1 width	7.694 cm
Package 1 Length	8.287 cm
Unit Type of Package 2	CAR
Number of Units in Package 2	48
Package 2 Weight	3.161 kg
Package 2 Height	14.0 cm
Package 2 width	29.3 cm
Package 2 Length	39.5 cm

## Offer Sustainability

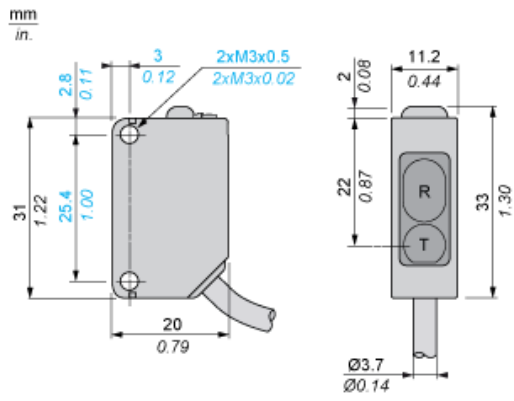
EU RoHS Directive	Pro-active compliance (Product out of EU RoHS legal scope) <a href="#">EU RoHS Declaration</a>
Mercury free	Yes
RoHS exemption information	<a href="#">Yes</a>

# Contractual warranty

Warranty

18 months

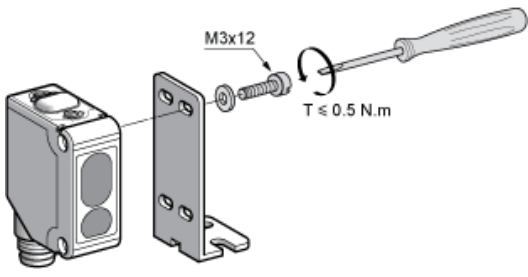
## Dimensions



R : Reception  
T : Transmission

**Mounting**

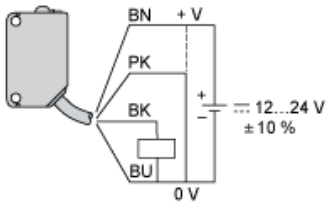
---



**Wiring Schemes**

---

**PNP Output**



(-) **BU** : Blue

(+) **BN** : Brown

(OUT) **BK** : Black

(MODE) **PK** : Pink

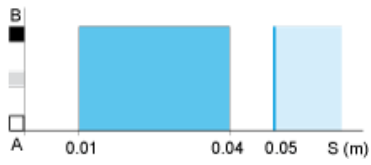
**Note** : This scheme is represented in "background suppression" mode, cabling of pink (PK) wire to 0 V

**Detection Curves**

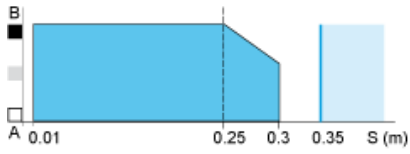
---

**Variation of Usable Sensing Distance**

**Minimum Setting**



**Maximum Setting**



- (1) Black
- (2) Grey
- (3) White
- (4) Sensing range
- (5) Non sensing zone (matt surfaces)

- A-B :** Object reflection coefficient
- (1) Black 6%
  - (2) Grey 18%
  - (3) White 90%
  - (4) Sensing range
  - (5) Non sensing zone (matt surfaces)