

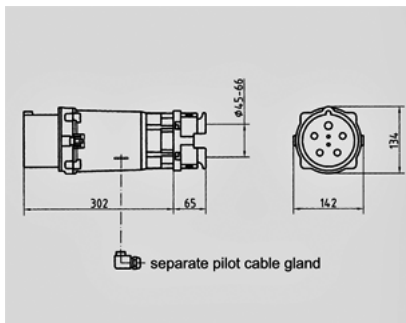
Plug - Part no. 75201



- screw terminals
- with cable gland
- seawater resistant products are available on request
- if required, pilot cables can be introduced separately into plugs/ enclosures, please add „PK “ to the part number

Technical information

Ampere	200 A
Poles	4 p
Voltage	400 V
Earth position	6 h
Hertz	50-60 Hz
Connection technology	Screw terminals
Contact	standard
Protection type	IP 67



Drawing
 2 MB 195

Dim. in mm