

Product data sheet

Specifications

SQUARE D

Green Premium™



Push button, Type B, standard duty control station, 5A, 600 VAC, START/STOP, NEMA 1

9001BG201

Product availability : Stock - Normally stocked in distribution facility

Price* : 86.00 USD

Main

Range of Product	Harmony 9001B
Product or Component Type	Complete control station
Device short name	9001BG

Complementary

Control station composition	2 push-buttons START-STOP
Contacts type and composition	1 NO + 1 NC
Connections - terminals	Screw clamp terminal
[Ie] rated operational current	5 A 600 V
Device mounting	Surface
Type of Installation	Indoor

Environment

NEMA degree of protection	NEMA 1
Product Certifications	UL listed file E42259 CCN NKCR CE CSA LR25490 class 3211 03
Environmental characteristic	Standard environment

Ordering and shipping details

Category	21421-9001 B (NOT BW70 - BW80)
Discount Schedule	CS1
GTIN	785901390176
Nbr. of units in pkg.	1
Package weight(Lbs)	9.60 oz (272.155 g)
Returnability	Yes
Country of origin	MX

Packing Units

Unit Type of Package 1	PCE
------------------------	-----

* Price is "List Price" and may be subject to a trade discount – check with your local distributor or retailer for actual price.

Package 1 Height	10.16 in (25.806 cm)
Package 1 width	4.00 in (10.16 cm)
Package 1 Length	25.81 in (65.548 cm)
Unit Type of Package 2	PAL
Number of Units in Package 2	1440
Package 2 Weight	864.00 lb(US) (391.903 kg)
Package 2 Height	40.00 in (101.6 cm)
Package 2 width	40.00 in (101.6 cm)
Package 2 Length	48.00 in (121.92 cm)
Unit Type of Package 3	CAR
Number of Units in Package 3	24
Package 3 Weight	14.40 lb(US) (6.532 kg)
Package 3 Height	6.00 in (15.24 cm)
Package 3 width	12.50 in (31.75 cm)
Package 3 Length	16.00 in (40.64 cm)

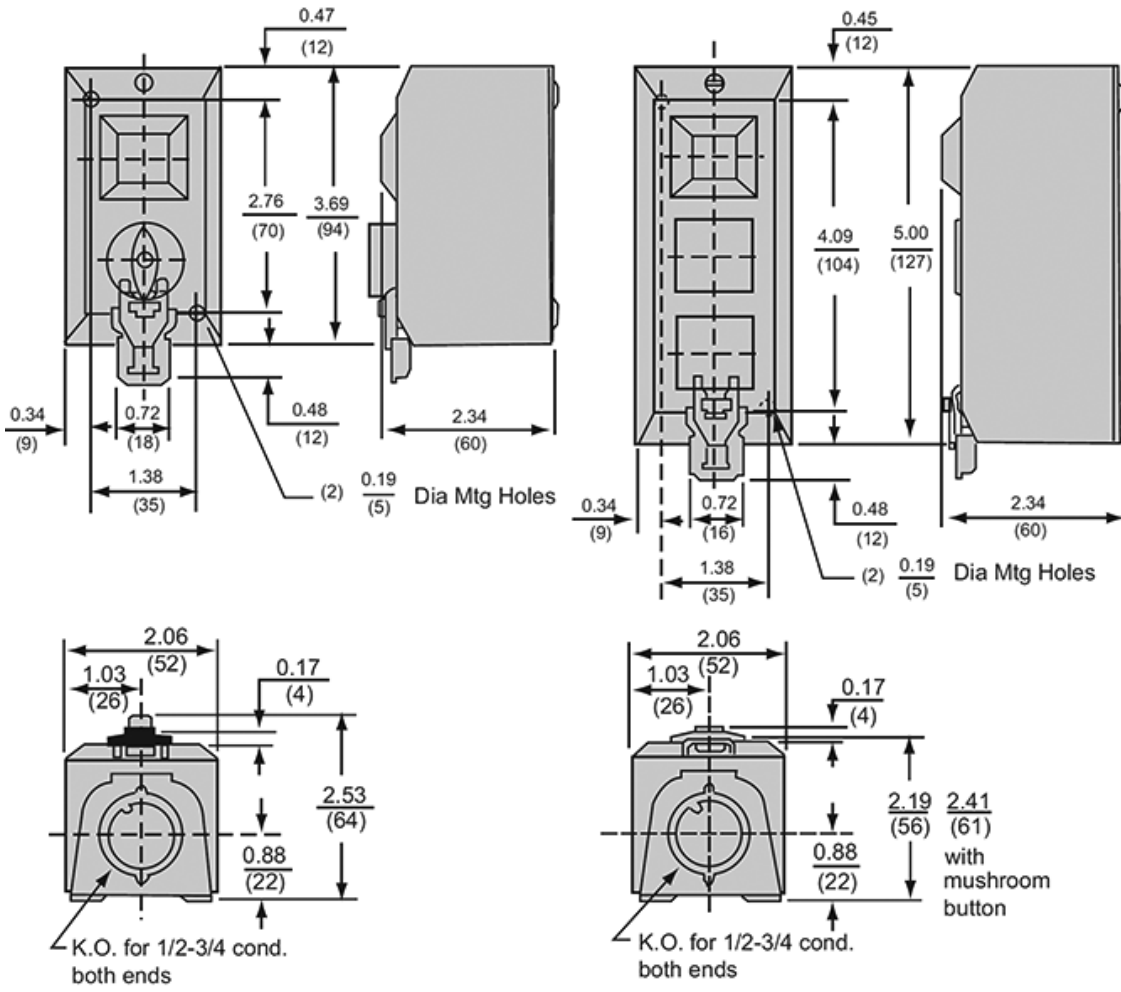
Offer Sustainability

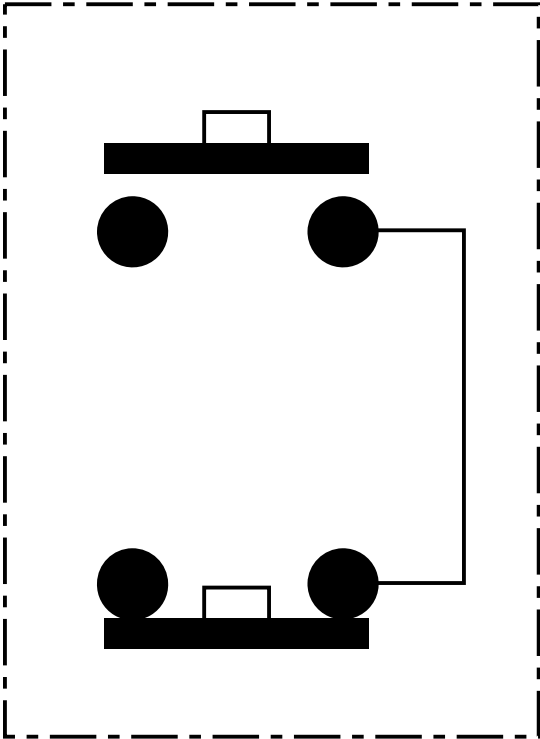
Sustainable offer status	Green Premium product
California proposition 65	WARNING: This product can expose you to chemicals including: Nickel compounds, which is known to the State of California to cause cancer, and Di-isodecyl phthalate (DIDP), which is known to the State of California to cause birth defects or other reproductive harm. For more information go to www.P65Warnings.ca.gov
REACH Regulation	REACH Declaration
REACH free of SVHC	Yes
EU RoHS Directive	Pro-active compliance (Product out of EU RoHS legal scope) EU RoHS Declaration
Toxic heavy metal free	Yes
Mercury free	Yes
RoHS exemption information	Yes
China RoHS Regulation	China RoHS declaration
Environmental Disclosure	Product Environmental Profile
Circularity Profile	End of Life Information
WEEE	The product must be disposed on European Union markets following specific waste collection and never end up in rubbish bins.

Contractual warranty

Warranty	18 months
----------	-----------

Approximate Dimensions





9001B Contact Symbol 145