

Product data sheet

Specifications

SQUARE D

Green Premium™



30mm Push Button, Types K, SK or KX, contact block, 1 NO and 1 NC

9001KA1

Product availability : Stock - Normally stocked in distribution facility

Price* : 42.80 USD

Main

| | |
|----------------------------------|---------------------------------|
| Range of Product | Harmony 9001K Harmony 9001SK |
| Product or Component Type | Contact block |
| Device short name | 9001K |

Complementary

| | |
|--|--|
| Net Weight | 0.06 lb(US) (0.027 kg) |
| Contacts type and composition | 1 C/O |
| Contact operation | Positive opening |
| Positive opening | Without |
| Connections - terminals | Screw clamp terminals, 1 x 0.22...2 x 2.5 mm ² IEC 60947-1 |
| Tightening torque | 7.08 lbf.in (0.8 N.m) IEC 60947-1 |
| Shape of screw head | Cross slotted |
| Contacts material | Silver alloy contacts |
| Short-circuit protection | 10 A cartridge fuse IEC 60947-5-1 |
| [Ith] conventional free air thermal current | 10 A |
| [Ui] rated insulation voltage | 250 V 3)IEC 60947-1 |
| [Uimp] rated impulse withstand voltage | 2.5 kV IEC 60947-1 |
| [Ie] rated operational current | 3 A 240 V, AC-15, A600-Q600 NEMA 0.55 A 125 V, DC-13, A600-Q600 NEMA |
| [Icm] rated short-circuit making capacity | 12 kA 600 V AC-15, 7200 VA 15 kA 480 V AC-15, 7200 VA 30 kA 240 V AC-15, 7200 VA 60 kA 120 V AC-15, 7200 VA 0.1 kA 600 V DC-13, 7200 VA 0.27 kA 250 V DC-13, 7200 VA 0.55 kA 125 V DC-13 |
| Rated breaking capacity | 3 kA 240 V AC-15, 720 VA 6 kA 120 V AC-15, 720 VA 1.2 kA 600 V AC-15, 720 VA 1.5 kA 480 V AC-15, 720 VA 0.1 kA 600 V DC-13 0.27 kA 250 V DC-13 0.55 kA 125 V DC-13 |
| Connections - Terminals | Screw-clamp terminals |

* Price is "List Price" and may be subject to a trade discount – check with your local distributor or retailer for actual price.

Environment

| | |
|---------------------------------------|--|
| Protective treatment | TC |
| Ambient Air Temperature for Storage | -40...158 °F (-40...70 °C) |
| Ambient air temperature for operation | -13...158 °F (-25...70 °C) |
| Electrical shock protection class | Class II IEC 61140 |
| IP degree of protection | IP20 IEC 60529 |
| Standards | EN/IEC 60947-5-1 JIS C 4520 UL 508 EN/IEC 60947-1 JIS C 852 CSA C22.2 No 14 EN/IEC 60947-5-4 |
| Product Certifications | NEMA UL 508 |
| Vibration resistance | 7 gn 2...500 Hz)IEC 60068-2-6 |
| Shock resistance | 50 gn IEC 60068-2-27 |

Ordering and shipping details

| | |
|-----------------------|------------------------------|
| Category | 21434-9001 KA CONTACT BLOCKS |
| Discount Schedule | CS1 |
| GTIN | 3389110917840 |
| Nbr. of units in pkg. | 1 |
| Package weight(Lbs) | 1.00 oz (28.25 g) |
| Returnability | Yes |
| Country of origin | MX |

Packing Units

| | |
|------------------------------|------------------------|
| Unit Type of Package 1 | PCE |
| Package 1 Height | 0.98 in (2.5 cm) |
| Package 1 width | 1.18 in (3.0 cm) |
| Package 1 Length | 1.57 in (4.0 cm) |
| Unit Type of Package 2 | S01 |
| Number of Units in Package 2 | 100 |
| Package 2 Weight | 6.54 lb(US) (2.965 kg) |
| Package 2 Height | 5.91 in (15.0 cm) |
| Package 2 width | 5.91 in (15.0 cm) |
| Package 2 Length | 15.75 in (40.0 cm) |

Offer Sustainability

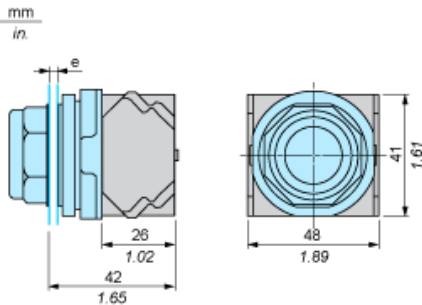
| | |
|---------------------------|--|
| Sustainable offer status | Green Premium product |
| California proposition 65 | WARNING: This product can expose you to chemicals including: Nickel compounds, which is known to the State of California to cause cancer, and Di-isodecyl phthalate (DIDP), which is known to the State of California to cause birth defects or other reproductive harm. For more information go to www.P65Warnings.ca.gov |
| REACH Regulation | REACH Declaration |
| EU RoHS Directive | Pro-active compliance (Product out of EU RoHS legal scope) |

| | |
|-----------------------------------|--|
| Mercury free | Yes |
| RoHS exemption information | Yes |
| China RoHS Regulation | China RoHS declaration |
| Environmental Disclosure | Product Environmental Profile |
| WEEE | The product must be disposed on European Union markets following specific waste collection and never end up in rubbish bins. |

Contractual warranty

| | |
|-----------------|-----------|
| Warranty | 18 months |
|-----------------|-----------|

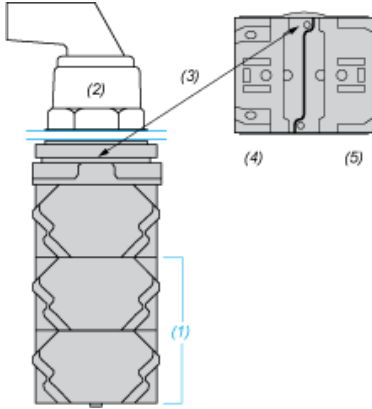
Dimensions



e panel thickness: 1 to 6 mm / 0.04 to 0.24 in.

Contact Block Mounting Position

Top and Rear views



- (1) It is possible to mount up to 3 levels of contacts blocks (maximum of 6 contacts blocks)
- (2) Operator
- (3) Locating notch
- (4) Side 1
- (5) Side 2