

# Product data sheet

Specifications



## Regenerative unit, Altivar, 15kW, for Altivar variable speed drive

ATVRD15N4

### Main

Range of product	Altivar
Range compatibility	Altivar Machine ATV340 Altivar Machine ATV320 Altivar Process ATV900
Product or component type	Power module
Device application	Energy regeneration
[Us] rated supply voltage	380...500 V - 15...10 %
[Ue] rated operational voltage	456...778 V DC
Rated power in W	13.5 kW

### Complementary

Network frequency	45...65 Hz
Network number of phases	3 phases
Fixing mode	By screws
Maximum voltage drop at rated load	3 %
Electrical connection	Control: removable screw terminal block: 0.5...1.5 mm <sup>2</sup> , AWG 20...AWG 16 (bottom) Power supply: removable screw terminal block: 6 mm <sup>2</sup> , AWG 8 (top) DC bus: removable screw terminal block: 6 mm <sup>2</sup> , AWG 8 (bottom)
Input current	31.8 A at 380 V AC for voltage inputs (continuous) 27.9 A at 500 V AC for voltage inputs (continuous) 43.1 A at 380 V AC for voltage inputs (transient for 60 s) 36.3 A at 500 V AC for voltage inputs (transient for 60 s)
Input power	13.5 kW at 380...500 V AC for voltage inputs (continuous) 20.3 kW at 380...500 V AC for voltage inputs (transient for 60 s)
Maximum DC bus voltage	300...880 V DC
Output current	25.9 A at 380 V AC (continuous) 23.2 A at 500 V AC (continuous) 36.5 A at 380 V AC (transient for 60 s) 29.7 A at 500 V AC (transient for 60 s)
Width	105 mm
Height	399 mm
Depth	235 mm
Net weight	11.5 kg

## Environment

<b>Standards</b>	IEC 61800-3 IEC 61800-5-1
<b>Product certifications</b>	cUL
<b>Ambient air temperature for operation</b>	-10...50 °C without derating 50...60 °C with derating factor
<b>Ambient air temperature for storage</b>	-40...70 °C
<b>Operating altitude</b>	<= 1000 m without derating 1000...3000 m with power derating 1 % per 100 m
<b>Operating position</b>	Vertical or horizontal position
<b>Type of cooling</b>	Fan
<b>Environmental characteristic</b>	Chemical pollution resistance class 3C3 conforming to EN/IEC 60721-3-3 Dust pollution resistance class 3S2 conforming to EN/IEC 60721-3-3
<b>Pollution degree</b>	2 conforming to EN/IEC 61800-5-1

## Packing Units

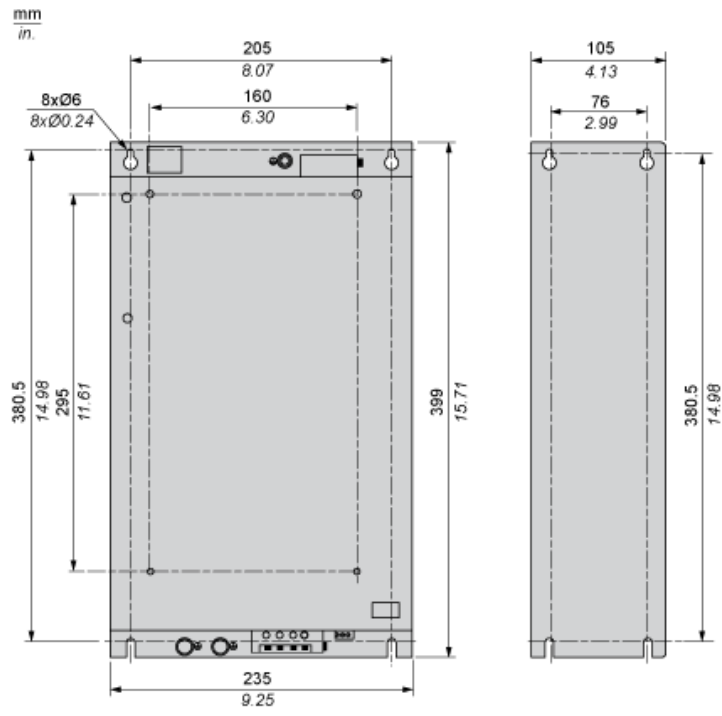
<b>Unit Type of Package 1</b>	PCE
<b>Number of Units in Package 1</b>	1
<b>Package 1 Weight</b>	13.565 kg
<b>Package 1 Height</b>	21.0 cm
<b>Package 1 width</b>	32.0 cm
<b>Package 1 Length</b>	61.0 cm
<b>Unit Type of Package 2</b>	P06
<b>Number of Units in Package 2</b>	4
<b>Package 2 Weight</b>	67.26 kg
<b>Package 2 Height</b>	73.5 cm
<b>Package 2 width</b>	60.0 cm
<b>Package 2 Length</b>	80.0 cm

## Offer Sustainability

<b>Sustainable offer status</b>	Green Premium product
<b>REACH Regulation</b>	<a href="#">REACH Declaration</a>
<b>EU RoHS Directive</b>	Pro-active compliance (Product out of EU RoHS legal scope) <a href="#">EU RoHS Declaration</a>
<b>Mercury free</b>	Yes
<b>RoHS exemption information</b>	<a href="#">Yes</a>
<b>China RoHS Regulation</b>	<a href="#">China RoHS declaration</a>
<b>Environmental Disclosure</b>	<a href="#">Product Environmental Profile</a>
<b>Circularity Profile</b>	<a href="#">End of Life Information</a>
<b>WEEE</b>	The product must be disposed on European Union markets following specific waste collection and never end up in rubbish bins
<b>California proposition 65</b>	WARNING: This product can expose you to chemicals including: Lead and lead compounds, which is known to the State of California to cause cancer and birth defects or other reproductive harm. For more information go to <a href="http://www.P65Warnings.ca.gov">www.P65Warnings.ca.gov</a>

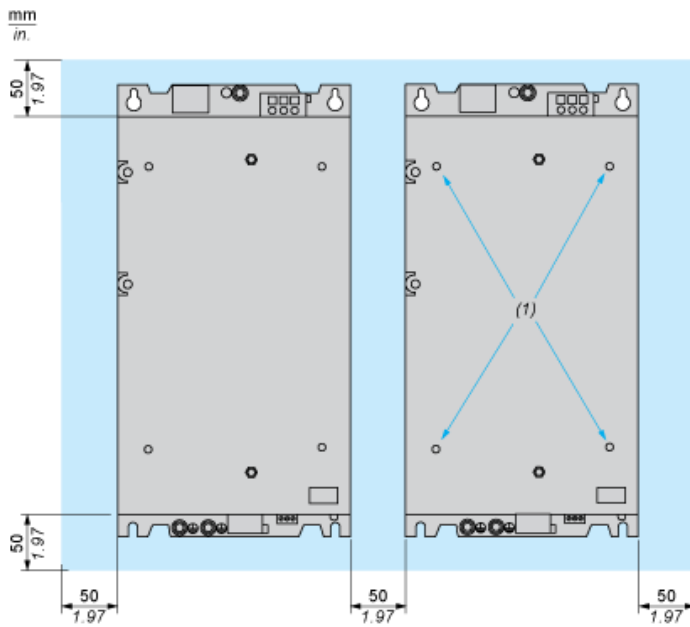
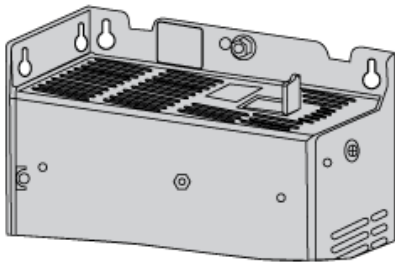
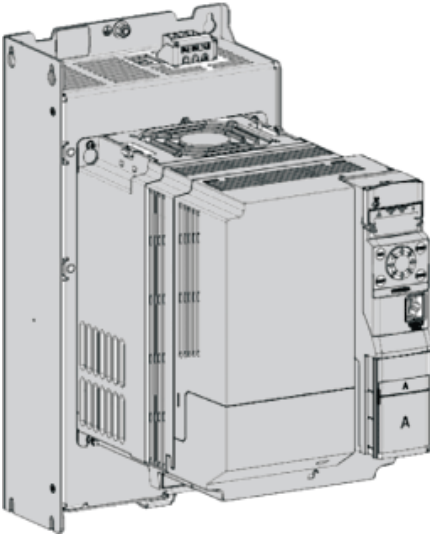
## Dimensions

### Front and Side Views

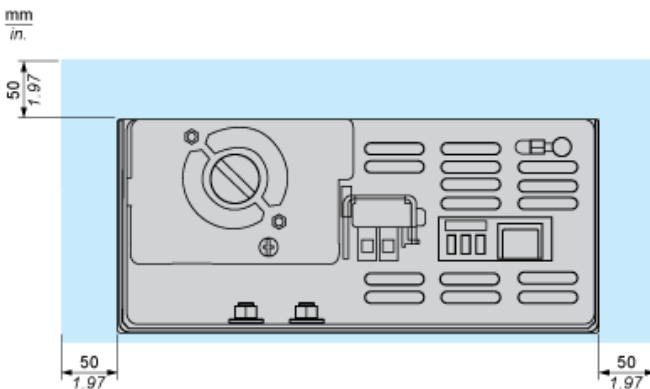


## Mounting Recommendations

### Vertical Flat Mounting



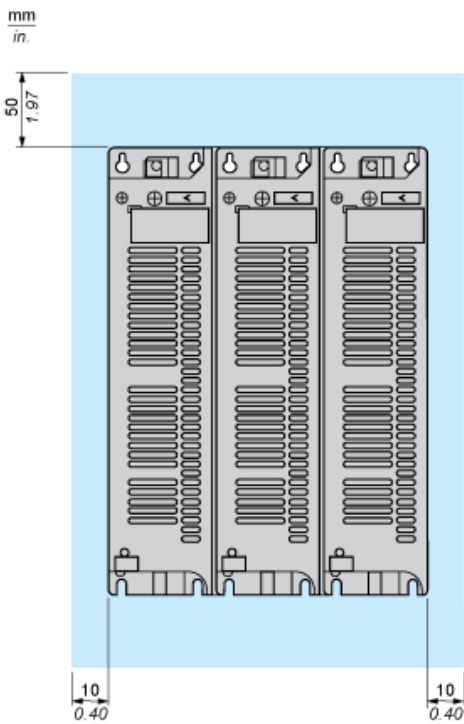
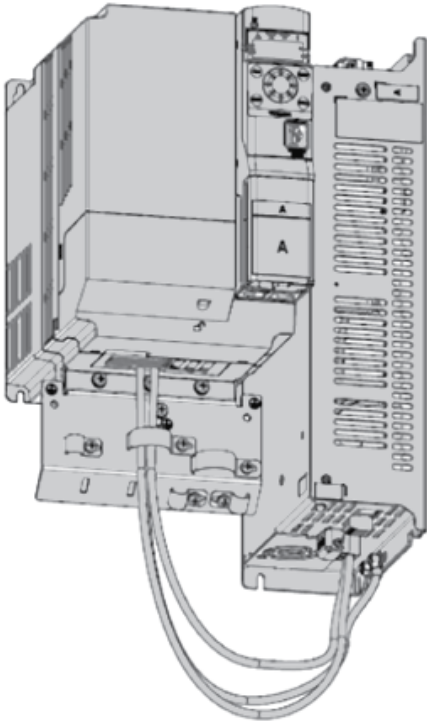
(1) : Fixing holes for ATVRD320



## Mounting Recommendations

---

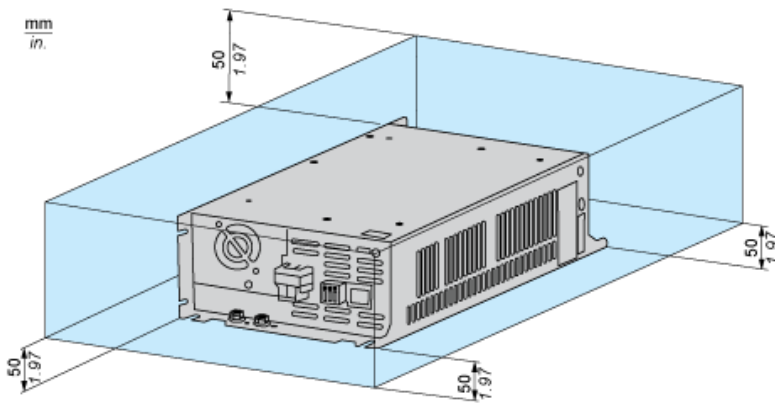
### Side by Side Mounting



**Mounting Recommendations**

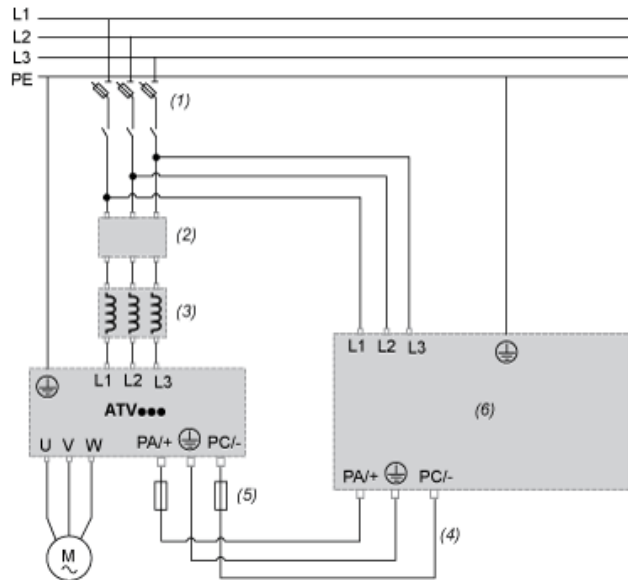
---

**Horizontal Flat Mounting**



## Wiring Diagram

### Drive and Regenerative Unit



- (1) : AC protection fuses
- (2) : Optional additional EMC input Filter (see drive catalog)
- (3) : Optional AC Choke (see drive catalog)
- (4) : DC bus link
- (5) : DC protection fuses
- (6) : Altivar Regenerative Unit