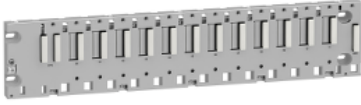


# Product data sheet

Specifications



## Modicon M340 automation platform, rack -12 slots, panel or plate mounting

BMXXBP1200

**Product availability : Stock - Normally stocked in distribution facility**

### Main

Range of Product	Modicon M340 automation platform
Accessory / Separate Part Type	Rack

### Complementary

Number of slots	12 bus X
Product Compatibility	I/O module BMXP34 processor Specific application module BMXCPS power supply
Power consumption in W	0.74 W
Electrical connection	1 connector (XBE) expansion module
Fixing mode	By 4 screws 0.17...0.25 in (4.32...6.35 mm) panel By 4 M6 screws plate
Net Weight	2.80 lb(US) (1.27 kg)

### Environment

IP Degree of Protection	IP20
Ambient air temperature for operation	32...140 °F (0...60 °C)
Relative Humidity	10...95 % without condensation
Protective treatment	TC

### Ordering and shipping details

Category	18160-MODICON M340
Discount Schedule	PC34
GTIN	3595863909029
Nbr. of units in pkg.	1
Package weight(Lbs)	2.95 lb(US) (1.34 kg)
Returnability	Yes
Country of origin	FR

### Packing Units

Unit Type of Package 1	PCE
------------------------	-----

<b>Package 1 Height</b>	2.60 in (6.6 cm)
<b>Package 1 width</b>	6.02 in (15.3 cm)
<b>Package 1 Length</b>	23.03 in (58.5 cm)
<b>Unit Type of Package 2</b>	P06
<b>Number of Units in Package 2</b>	48
<b>Package 2 Weight</b>	166.49 lb(US) (75.52 kg)
<b>Package 2 Height</b>	41.34 in (105.0 cm)
<b>Package 2 width</b>	31.50 in (80.0 cm)
<b>Package 2 Length</b>	23.62 in (60.0 cm)
<b>Unit Type of Package 3</b>	S04
<b>Number of Units in Package 3</b>	8
<b>Package 3 Weight</b>	25.18 lb(US) (11.42 kg)
<b>Package 3 Height</b>	11.81 in (30.0 cm)
<b>Package 3 width</b>	15.75 in (40.0 cm)
<b>Package 3 Length</b>	23.62 in (60.0 cm)

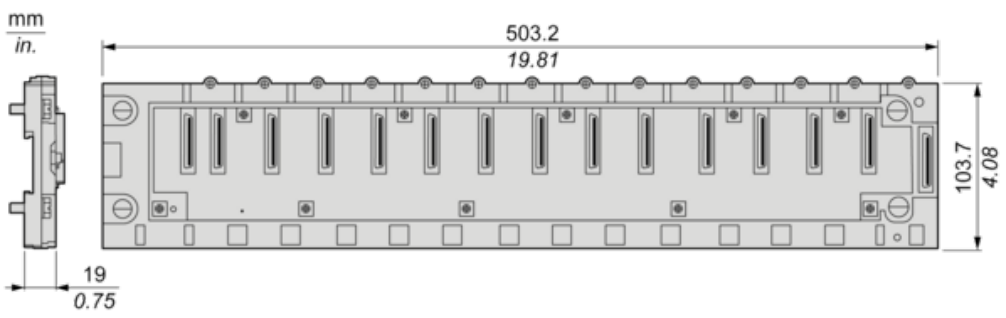
## Offer Sustainability

<b>Sustainable offer status</b>	Green Premium product
<b>California proposition 65</b>	WARNING: This product can expose you to chemicals including: Lead and lead compounds, which is known to the State of California to cause cancer and birth defects or other reproductive harm. For more information go to <a href="http://www.P65Warnings.ca.gov">www.P65Warnings.ca.gov</a>
<b>REACH Regulation</b>	<a href="#">REACH Declaration</a>
<b>REACH free of SVHC</b>	Yes
<b>EU RoHS Directive</b>	Pro-active compliance (Product out of EU RoHS legal scope) <a href="#">EU RoHS Declaration</a>
<b>Mercury free</b>	Yes
<b>RoHS exemption information</b>	<a href="#">Yes</a>
<b>China RoHS Regulation</b>	<a href="#">China RoHS declaration</a>
<b>Environmental Disclosure</b>	<a href="#">Product Environmental Profile</a>
<b>Circularity Profile</b>	<a href="#">End of Life Information</a>
<b>WEEE</b>	The product must be disposed on European Union markets following specific waste collection and never end up in rubbish bins.

## Contractual warranty

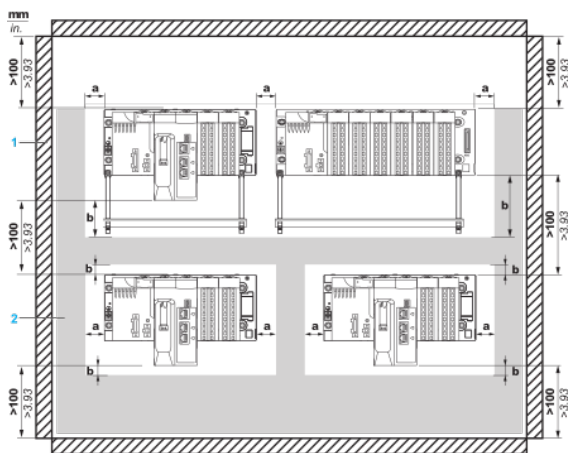
<b>Warranty</b>	18 months
-----------------	-----------

Dimensions



Minimum Clearance

Minimum Clearance of a typical installation in a cabinet with ducts



a Side clearance: > 40 mm (1.57 in.)

b Top and bottom clearance with surrounding objects: > 20 mm (0.79 in.)

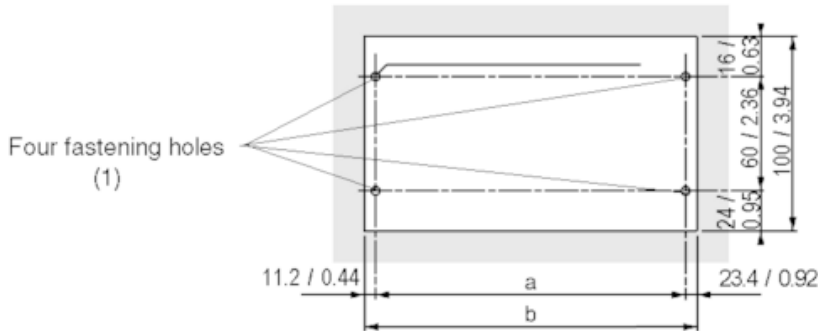
1 Installation or casing

2 Wiring duct or tray

**Mounting and Fastening the Racks**

**Mounting on Panels**

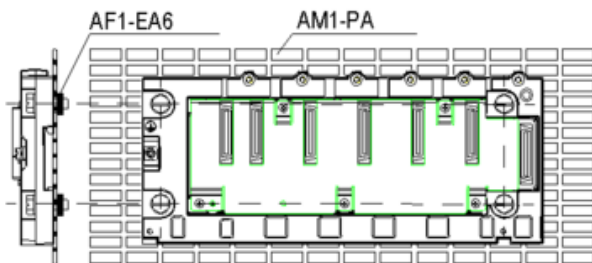
Dimensions in mm / in.



(1) The diameter of the fastening holes must allow use of M4, M5, M6 and UNC #6 screws.

Rack	a	b	Size of the rack and extension module
BMXXBP040 and BMXXBP0400H	207.8 mm (8.187 in.)	242.2 mm (9.543 in.)	243.4 mm (9.59 in.)
BMXXBP0600 and BMXXBP0600H	273 mm (10.756 in.)	307.6 mm (12.12 in.)	308.8 mm (12.167 in.)
BMXXBP0800 and BMXXBP0800H	338.2 mm (13.325 in.)	372.8 mm (14.69 in.)	374 mm (14.736 in.)
BMXXBP1200 and BMXXBP1200H	468.6 mm (18.463 in.)	503.2 mm (19.826 in.)	504.4 mm (19.873 in.)

**Mounting on Telequick AM1-PA and AM3-PA Mounting Grids**



Fasten the rack with four M4, M5, M6 or UNC #6 screws.