

Product data sheet

Specifications



Extended rotary handle kit, TeSys Deca, IP54, red handle, with trip indication, for GV3L-GV3P

GV3APN02

Main

Range	TeSys TeSys Deca
Device short name	GV3AP
Product or component type	Rotary handle kit
Accessory / separate part category	Control accessory
Handle colour	Red
Handle front plate colour	Yellow

Complementary

Product compatibility	GV3L GV3P
Rotary handle padlocking	Padlock in OFF position
Rotary handle mounting style	Extended
Locking options description	1 to 3 padlocks
Back/Door distance	189...300 mm
Net weight	0.3 kg

Environment

IP degree of protection	IP54
-------------------------	------

Packing Units

Unit Type of Package 1	PCE
Number of Units in Package 1	1
Package 1 Weight	376.0 g
Package 1 Height	6.5 cm
Package 1 width	37.0 cm
Package 1 Length	9.0 cm
Unit Type of Package 2	S03
Number of Units in Package 2	12
Package 2 Weight	4.894 kg

Package 2 Height	30.0 cm
Package 2 width	30.0 cm
Package 2 Length	40.0 cm

Offer Sustainability

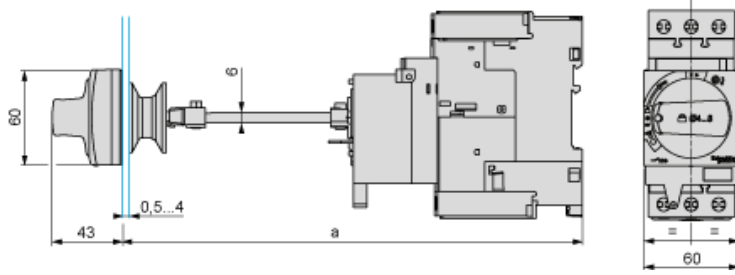
Sustainable offer status	Green Premium product
REACH Regulation	REACH Declaration
EU RoHS Directive	Compliant EU RoHS Declaration
Mercury free	Yes
RoHS exemption information	Yes
China RoHS Regulation	China RoHS declaration Product out of China RoHS scope. Substance declaration for your information
Environmental Disclosure	Product Environmental Profile
Circularity Profile	End of Life Information
WEEE	The product must be disposed on European Union markets following specific waste collection and never end up in rubbish bins
California proposition 65	WARNING: This product can expose you to chemicals including: Antimony oxide & Antimony trioxide, which is known to the State of California to cause cancer. For more information go to www.P65Warnings.ca.gov

Contractual warranty

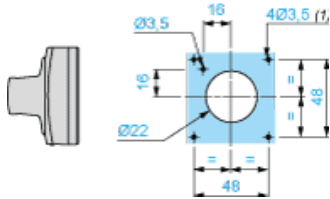
Warranty	18 months
----------	-----------

Mounting

Mounting of External Operator GV3APN01, GV3APN02 or GV3APN04 for Motor Circuit Breakers GV3L

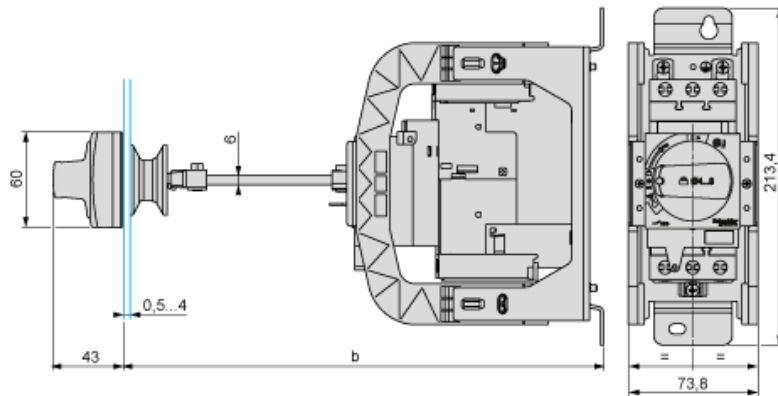


Door cut-out



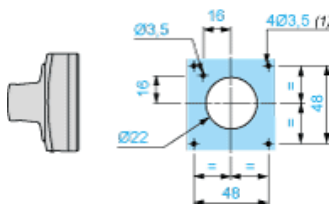
(1) For IP65 only.

Mounting of External Operator GVAPH03 for Motor Circuit Breakers GV3L



	b	
	Minimum	Maximum
GV3APN.. + GVAPH03	200	300
GV3APN.. + GVAPH03 + GVAPK12	300	492

Door cut-out



(1) For IP65 only.