

# Product data sheet

Specifications



## Multi touch screen, Harmony iPC, S Panel PC Optimized HDD W15 DC Windows 10

HMIPSOH752D1801

**Product availability : Stock - Normally stocked in distribution facility**

**Price\* : 3,140.00 USD**

### Main

Range of Product	Harmony iPC
Product or Component Type	Multi-touch screen
Processor Name	Intel Atom E3827 dual core 1.75 GHz
Chipset type	Intel Atom SoC
Free slots	1 Internal SATA HDD/SSD 1 CFAST
Display size	15.6 inch
Display colour	16777216 colors
Luminance	27.87 fc (300 cd/m <sup>2</sup> )
Pixel resolution	4096 x 4096
Video controller type	Intel HD Graphics
Operating system	Windows 10 IoT Enterprise 64 bit multi-language
Software package	EcoStruxure secure connect advisor annual subscription cyber security license not included EcoStruxure Operator Terminal Expert run time HMI license not included EcoStruxure Machine SCADA Expert run time HMI/SCADA on configured offer only EcoStruxure augmented operator advisor server augmented operator license not included

### Complementary

Number of points	5
Terminal type	Touchscreen display
Memory type	4 GB RAM DDR3 internal
Data storage equipment	500 GB extension back side enterprise hard disk
Aspect ratio	16:9
Display Type	LED Colour TFT LCD
Display Resolution	1366 x 768 pixels WXGA
Backlight lifespan	50000 hours
View angle horizontal x vertical	150 x 140°
Touch panel	Projected capacitive technology (PCT)
Type of cooling	Passive Fanless

\* Price is "List Price" and may be subject to a trade discount – check with your local distributor or retailer for actual price.

<b>Watchdog timer</b>	1...255 ms
<b>Number of slots</b>	1 mini PCI Express full-size
<b>[Us] rated supply voltage</b>	24 V DC +/- 20 % 100...240 V AC with additional adaptor HMIYPSOMAC1
<b>Line Rated Current</b>	1.7 A
<b>Mechanical robustness</b>	Hardness anti-scratch 7H
<b>Local signalling</b>	buzzer for on LED (green) for stand-by LED (orange)
<b>Function Available</b>	Operate with water on screen
<b>Width</b>	16.52 in (419.7 mm)
<b>Height</b>	10.59 in (269 mm)
<b>Depth</b>	3.39 in (86 mm)
<b>Cut-out dimensions</b>	412.4 (+/- 0.7) x 261.7 (+/- 0.4)
<b>Net Weight</b>	8.60 lb(US) (3.9 kg)
<b>Display size</b>	15" wide multi-touch
<b>Main type</b>	Optimised

## Environment

<b>IP degree of protection</b>	Front panel IP66
<b>Product Certifications</b>	AS/NZS C-tick EAC CE RCM CCC
<b>Standards</b>	FCC Part 15 class A CISPR 11 IEC 60950 CSA C22.2 No. 60950 IEC 61000-6-4 UL 60950 IEC 61000-6-2
<b>Directives</b>	2006/95/EC - low voltage directive 2004/108/EC - electromagnetic compatibility
<b>Pollution degree</b>	2
<b>Ambient air temperature for operation</b>	32...131 °F (0...55 °C) SSD 32...131 °F (0...55 °C) Cfast card 32...113 °F (0...45 °C) HDD 32...113 °F (0...45 °C) Mini PCIe
<b>Ambient air temperature for storage</b>	-4...140 °F (-20...60 °C)
<b>Relative Humidity</b>	10...95 % non-condensing
<b>Operating altitude</b>	2000
<b>Vibration resistance</b>	1 gn 5...500 Hz)HDD 2 gn 5...500 Hz)SSD 2 gn 5...500 Hz)Cfast card

## Ordering and shipping details

<b>Category</b>	22575-MAGELIS MC3
<b>Discount Schedule</b>	MC3
<b>GTIN</b>	3606480853395
<b>Nbr. of units in pkg.</b>	1
<b>Package weight(Lbs)</b>	8.82 lb(US) (4.0 kg)
<b>Returnability</b>	No

Country of origin	US
-------------------	----

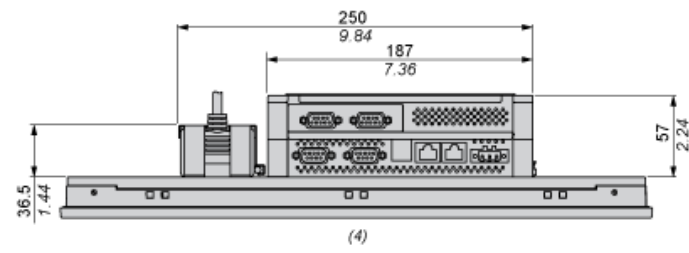
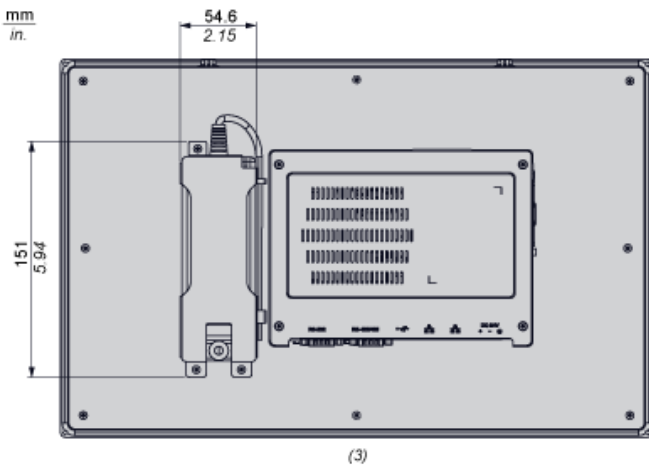
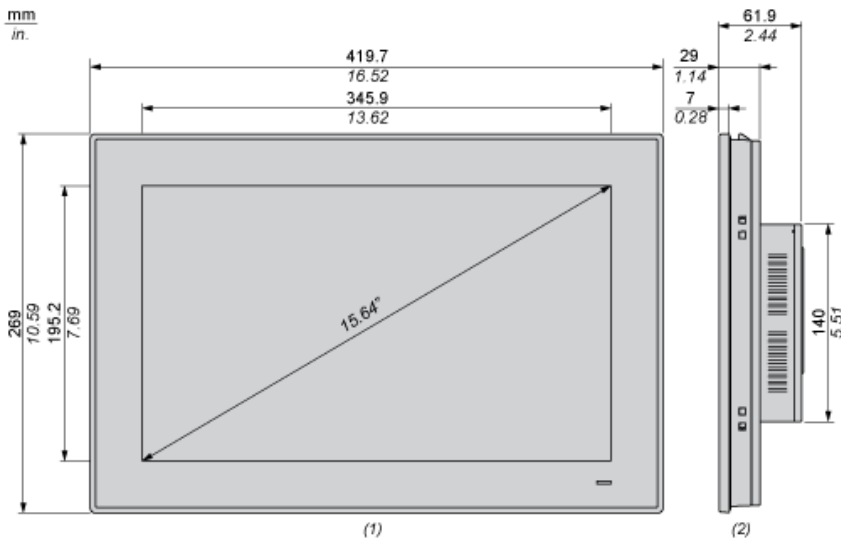
## Packing Units

Unit Type of Package 1	PCE
Package 1 Height	2.44 in (6.2 cm)
Package 1 width	10.59 in (26.9 cm)
Package 1 Length	16.54 in (42.0 cm)
Unit Type of Package 2	CAR
Number of Units in Package 2	1
Package 2 Weight	14.55 lb(US) (6.6 kg)
Package 2 Height	23.03 in (58.5 cm)
Package 2 width	8.66 in (22.0 cm)
Package 2 Length	28.74 in (73.0 cm)
Unit Type of Package 3	P12
Number of Units in Package 3	5
Package 3 Weight	99.21 lb(US) (45.0 kg)
Package 3 Height	24.41 in (62.0 cm)
Package 3 width	31.50 in (80.0 cm)
Package 3 Length	47.24 in (120.0 cm)

## Offer Sustainability

California proposition 65	WARNING: This product can expose you to chemicals including: Lead and lead compounds, which is known to the State of California to cause cancer and birth defects or other reproductive harm. For more information go to <a href="http://www.P65Warnings.ca.gov">www.P65Warnings.ca.gov</a>
EU RoHS Directive	Pro-active compliance (Product out of EU RoHS legal scope) <a href="#">EU RoHS Declaration</a>
Mercury free	Yes
RoHS exemption information	<a href="#">Yes</a>
China RoHS Regulation	<a href="#">China RoHS declaration</a>
WEEE	The product must be disposed on European Union markets following specific waste collection and never end up in rubbish bins.

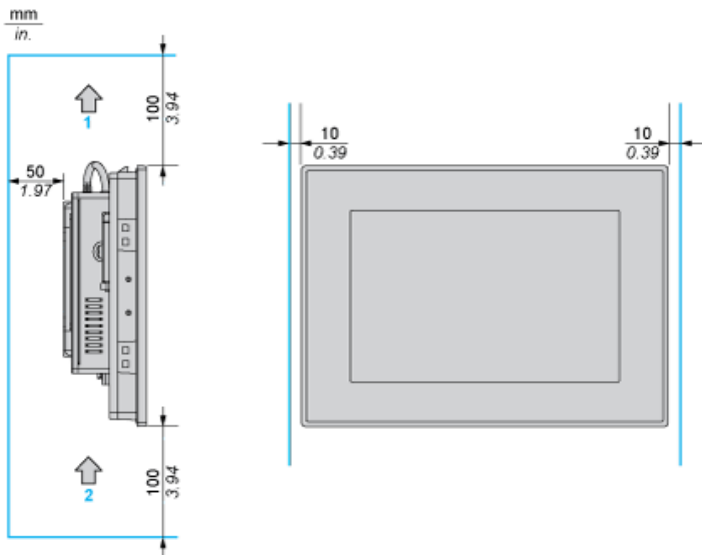
Dimensions



- (1) Front view
- (2) Right view
- (3) Back view
- (4) Bottom view

## Spacing Requirements

---



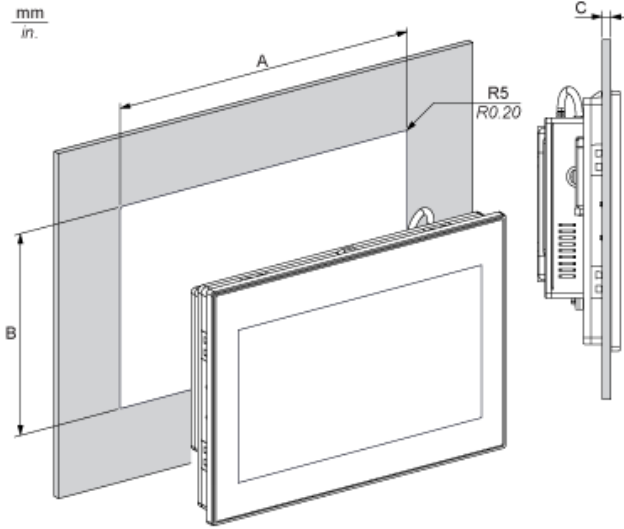
- 1 : Air out
- 2 : Air in

**Mounting Orientation**

---



**Panel Cut Dimensions**



A		B		C		R	
mm	in.	mm	in.	mm	in.	mm	in.
412.4	16.24	261.7	10.30	2...6	0.08...0.23	5	0.20