

Product data sheet

Specifications



S-Panel PC Performance SSD W15 DC Windows 10

HMIPSPS752D1801

! Discontinued on: 30 June 2022

! To be end-of-service on: 31 March 2026

! To be discontinued

Product availability : Stock - Normally stocked in distribution facility

Price* : 5,005.00 USD

Main

| | |
|---------------------------|--|
| Range of Product | Harmony iPC |
| Product or Component Type | Multi-touch screen |
| Processor Name | Intel Core i3 4010U 1.7 GHz |
| Chipset type | Intel QM87 |
| Free slots | 1 Internal SATA HDD/SSD 1 CFast |
| Display size | 15.6 inch |
| Display colour | 16777216 colors |
| Luminance | 27.87 fc (300 cd/m ²) |
| Pixel resolution | 4096 x 4096 |
| Video controller type | Intel HD Graphics 4400 |
| Operating system | Windows 10 IoT Enterprise 64 bit multi-language |
| Software package | EcoStruxure secure connect advisor annual subscription cyber security license not included EcoStruxure Operator Terminal Expert run time HMI license not included EcoStruxure Machine SCADA Expert run time HMI/SCADA on configured offer only EcoStruxure augmented operator advisor server augmented operator license not included Vijeo Citect DVD SCADA license not included |

Complementary

| | |
|----------------------------------|---------------------------------------|
| Number of points | 5 |
| Terminal type | Touchscreen display |
| Memory type | 8 GB RAM DDR3 internal |
| Data storage equipment | 128 GB back side SSD 1500000 h |
| Aspect ratio | 16:9 |
| Display Type | LED Colour TFT LCD |
| Display Resolution | 1366 x 768 pixels WXGA |
| Backlight lifespan | 50000 hours |
| View angle horizontal x vertical | 160 x 170° |
| Touch panel | Projected capacitive technology (PCT) |

* Price is "List Price" and may be subject to a trade discount – check with your local distributor or retailer for actual price.

| | |
|---------------------------|--|
| Type of cooling | Fanless Passive |
| Watchdog timer | 1...255 ms |
| Number of slots | 1 mini PCI Express full-size |
| [Us] rated supply voltage | 24 V DC +/- 20 % 100...240 V AC with additional adaptor HMIYPSPMAC1 |
| Power consumption in W | 18...60 W |
| Mechanical robustness | Hardness anti-scratch 7H |
| Function Available | Operate with water on screen |
| Width | 16.52 in (419.7 mm) |
| Height | 10.59 in (269 mm) |
| Depth | 2.23 in (56.7 mm) |
| Cut-out dimensions | 412.4 (+/- 0.7) x 261.7 (+/- 0.4) |
| Net Weight | 13.23 lb(US) (6 kg) |
| Display size | 15" wide multi-touch |
| Main type | Performance |

Environment

| | |
|---------------------------------------|---|
| IP degree of protection | Front panel IP66 |
| Product Certifications | CE EAC CCC C-tick RCM AS/NZS |
| Standards | CISPR 11 IEC 61000-6-2 IEC 60950 FCC Part 15 class A UL 60950 CSA C22.2 No. 60950 IEC 61000-6-4 |
| Directives | 2004/108/EC - electromagnetic compatibility 2006/95/EC - low voltage directive |
| Pollution degree | 2 |
| Ambient air temperature for operation | 32...131 °F (0...55 °C) SSD 32...131 °F (0...55 °C) Cfast card 32...113 °F (0...45 °C) HDD |
| Ambient air temperature for storage | -4...140 °F (-20...60 °C) |
| Relative Humidity | 10...95 % non-condensing |
| Operating altitude | 2000 |
| Vibration resistance | 1 gn 5...500 Hz)HDD |

Ordering and shipping details

| | |
|-----------------------|-----------------------|
| Category | 22575-MAGELIS MC3 |
| Discount Schedule | MC3 |
| GTIN | 3606480795503 |
| Nbr. of units in pkg. | 1 |
| Package weight(Lbs) | 16.53 lb(US) (7.5 kg) |
| Returnability | No |
| Country of origin | US |

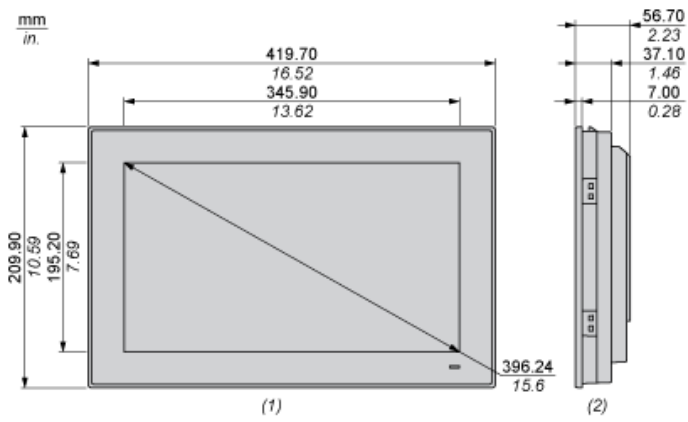
Packing Units

| | |
|------------------------------|-------------------------|
| Unit Type of Package 1 | PCE |
| Package 1 Height | 2.24 in (5.7 cm) |
| Package 1 width | 10.59 in (26.9 cm) |
| Package 1 Length | 16.54 in (42.0 cm) |
| Unit Type of Package 2 | CAR |
| Number of Units in Package 2 | 1 |
| Package 2 Weight | 16.53 lb(US) (7.5 kg) |
| Package 2 Height | 7.09 in (18.0 cm) |
| Package 2 width | 20.67 in (52.5 cm) |
| Package 2 Length | 27.76 in (70.5 cm) |
| Unit Type of Package 3 | P12 |
| Number of Units in Package 3 | 9 |
| Package 3 Weight | 158.73 lb(US) (72.0 kg) |
| Package 3 Height | 30.12 in (76.5 cm) |
| Package 3 width | 31.50 in (80.0 cm) |
| Package 3 Length | 47.24 in (120.0 cm) |

Offer Sustainability

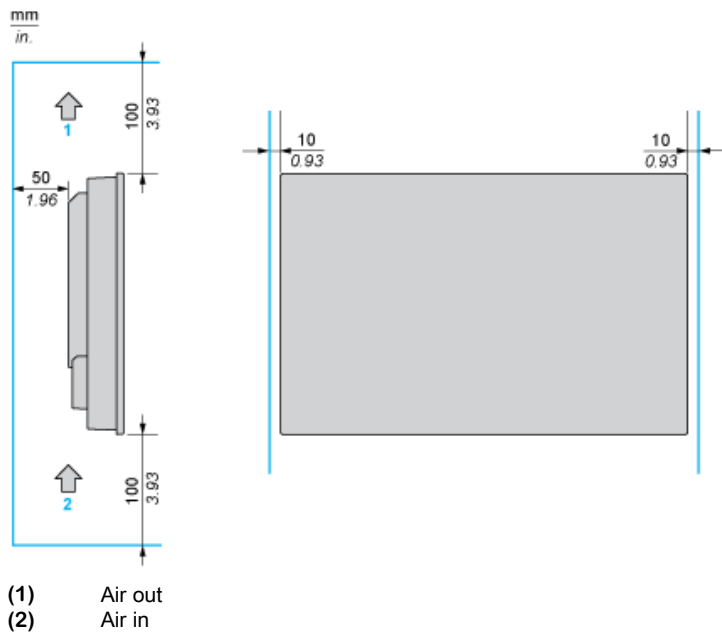
| | |
|----------------------------|---|
| California proposition 65 | WARNING: This product can expose you to chemicals including: Lead and lead compounds, which is known to the State of California to cause cancer and birth defects or other reproductive harm. For more information go to www.P65Warnings.ca.gov |
| EU RoHS Directive | Pro-active compliance (Product out of EU RoHS legal scope) EU RoHS Declaration |
| Mercury free | Yes |
| RoHS exemption information | Yes |
| China RoHS Regulation | China RoHS declaration |
| Environmental Disclosure | Product Environmental Profile |
| Circularity Profile | End of Life Information |
| WEEE | The product must be disposed on European Union markets following specific waste collection and never end up in rubbish bins. |

Dimensions



- (1) Front view
- (2) Side view

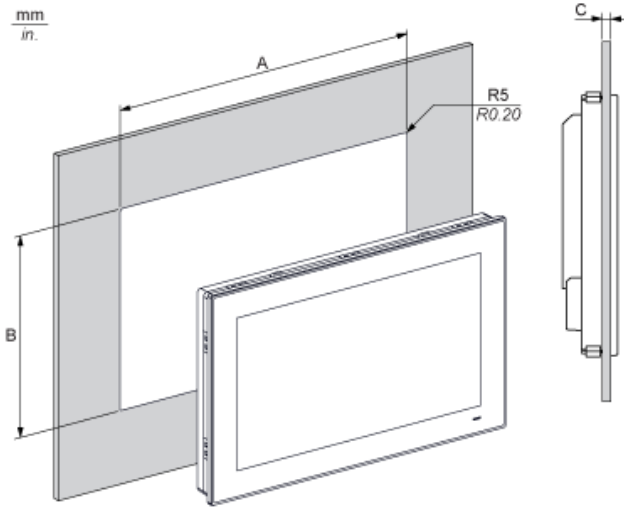
Spacing Requirements



Mounting Orientation



Panel Cut Dimensions



| A | B | C | R |
|-----------------------------------|-----------------------------------|------------------------------|-------------------|
| 412.4 ±0.7 mm (16.24 ±0.03 in) | 261.7 ±0.4 mm (10.30 ±0.02 in) | 2...6 mm (0.08...0.23 in) | 5 mm (0.20 in) |

Recommended replacement(s)

HMIPSPS752D1801 is replaced by the following product range:



Harmony P6

Drive efficiency and productivity at the Edge of EcoStruxure with Harmony P6

Products: 15