

# Product data sheet

Specifications



## Touch panel screen, Harmony ST6, 15"W display, 2COM, 2Ethernet, USB host&device, 24 VDC

HMIST6700

**Product availability : Stock - Normally stocked in distribution facility**

**Price\* : 2,075.00 USD**

### Main

Range of Product	Harmony ST6
Product or Component Type	Touch panel screen
Processor name	ARM Cortex-A8

### Complementary

Display size	15 inch
Display Type	Colour TFT LCD
Display colour	16 million colours
Display Resolution	1366 x 768 pixels FWXGA
Touch panel	Single touch analogue resistive
Backlight lifespan	50000 hours white
Brightness	16 levels
Character font	ASCII ASCII (European characters) Chinese (simplified Chinese) Japanese (ANK, Kanji) Katakana Korean Taiwanese (traditional Chinese)
[Us] rated supply voltage	24 V DC +/- 20 %)
Inrush current	30 A
Local signalling	Status LED green, steady offline Status LED green, steady operating Status LED green, flashing operating Status LED green, faded stand-by Status LED orange, flashing software starting up Status LED red, steady power supply (ON) Status LED red, flashing operating Status LED red, off power supply (OFF)
Power consumption in W	18.5 W
Number of pages	200 application pages
Software package	EcoStruxure Operator Terminal Expert
Processor frequency	800 MHz
Port Ethernet	10/100BASE
Memory description	1 GB device memory 512 kB backup memory

\* Price is "List Price" and may be subject to a trade discount – check with your local distributor or retailer for actual price.

128 MB user data memory

<b>Integrated connection type</b>	1 COM1 serial link - 1 SUB-D 9-pin female - RS232C 2400...115200 bps)bottom 1 COM2 serial link - female RJ45 - RS485 2400...115200 bps)back COM2 serial link 2400...187500 bps)back 1 USB 2.0 type Abottom 1 USB 2.0 type micro B 2 Ethernet
<b>Supply</b>	External supply
<b>Realtime clock</b>	Built-in 0...50 °C Built-in 10...90 % RH
<b>Downloadable protocols</b>	Modbus Uni-TE Third party protocols
<b>Product brand</b>	Schneider Electric Modicon Mitsubishi Melsec Omron Sysmac Rockwell Automation Allen-Bradley Siemens Simatic
<b>Fixing mode</b>	By 6 screws 1.6...5 mm thick panel UL 61010-2-201 By 6 screws EN 61131-2 By 6 screws IEC 61000-6-2
<b>Enclosure Material</b>	PC
<b>Front material</b>	Aluminium
<b>Marking</b>	CE
<b>Cut-out dimensions</b>	394 x 250 mm panel cut dimension
<b>Height</b>	10.55 in (268 mm)
<b>Width</b>	16.22 in (412 mm)
<b>Depth</b>	1.97 in (50 mm)
<b>Net Weight</b>	5.95 lb(US) (2.7 kg)

## Environment

<b>Immunity to microbreaks</b>	10 ms
<b>Standards</b>	EN 61000-6-4 EN 61000-6-2 EN 61131-2 UL 61010-2-201 CSA C22.2 No 61010-2-201
<b>Product Certifications</b>	CSA CE
<b>Directives</b>	2014/35/EU - low voltage directive 2014/30/EU - electromagnetic compatibility
<b>Ambient air temperature for operation</b>	32...122 °F (0...50 °C)
<b>Ambient Air Temperature for Storage</b>	-4...140 °F (-20...60 °C)
<b>Relative humidity</b>	10...90 % non-condensing
<b>Operating altitude</b>	6561.68 ft (2000 m)
<b>IP degree of protection</b>	IP20 IEC 61131-2 rear panel) IP65 IEC 61131-2 front panel)
<b>NEMA degree of protection</b>	NEMA 4 front panel (indoor use) NEMA 13 front panel (in enclosure)
<b>Shock resistance</b>	147 m/s <sup>2</sup> 11 ms X, Y, Z directions for 3 times)EN/IEC 61131-2
<b>Vibration resistance</b>	+/- 3.5 mm 5...9 Hz) X, Y, Z directions for 10 cycles (approx. 100 min) EN/IEC 61131-2 9.8 m/s <sup>2</sup> 9...150 Hz)
<b>Electromagnetic compatibility</b>	Electrical fast transient/burst immunity test 2 kV power ports) IEC 61000-4-4 Electrical fast transient/burst immunity test 1 kV signal ports) Electrostatic discharge immunity test 6 kV contact discharge) EN/IEC 61000-4-2 level 3 Electrostatic discharge immunity test 8 kV air discharge)

## Ordering and shipping details

Category	22565-HARMONY BASIC HMI
Discount Schedule	MC2
GTIN	3606489523411
Nbr. of units in pkg.	1
Package weight(Lbs)	7.46 lb(US) (3.385 kg)
Returnability	Yes
Country of origin	US

## Packing Units

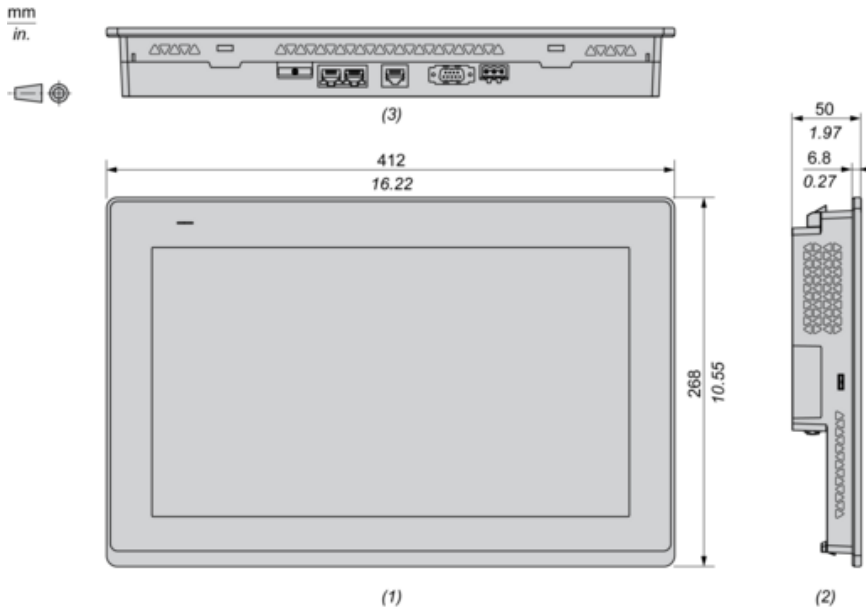
Unit Type of Package 1	PCE
Package 1 Height	14.02 in (35.6 cm)
Package 1 width	4.88 in (12.4 cm)
Package 1 Length	20.20 in (51.3 cm)
Unit Type of Package 2	S04
Number of Units in Package 2	2
Package 2 Weight	17.16 lb(US) (7.785 kg)
Package 2 Height	11.81 in (30.0 cm)
Package 2 width	15.75 in (40.0 cm)
Package 2 Length	23.62 in (60.0 cm)
Unit Type of Package 3	P12
Number of Units in Package 3	24
Package 3 Weight	225.80 lb(US) (102.42 kg)
Package 3 Height	31.50 in (80.0 cm)
Package 3 width	47.24 in (120.0 cm)
Package 3 Length	43.31 in (110.0 cm)

## Offer Sustainability

Sustainable offer status	Green Premium product
California proposition 65	WARNING: This product can expose you to chemicals including: Lead and lead compounds, which is known to the State of California to cause cancer and birth defects or other reproductive harm. For more information go to <a href="http://www.P65Warnings.ca.gov">www.P65Warnings.ca.gov</a>
REACH Regulation	<a href="#">REACH Declaration</a>
EU RoHS Directive	Pro-active compliance (Product out of EU RoHS legal scope) <a href="#">EU RoHS Declaration</a>
Mercury free	Yes
RoHS exemption information	<a href="#">Yes</a>
China RoHS Regulation	<a href="#">China RoHS declaration</a>
Environmental Disclosure	<a href="#">Product Environmental Profile</a>
Circularity Profile	<a href="#">End of Life Information</a>
WEEE	The product must be disposed on European Union markets following specific waste collection and never end up in rubbish bins.

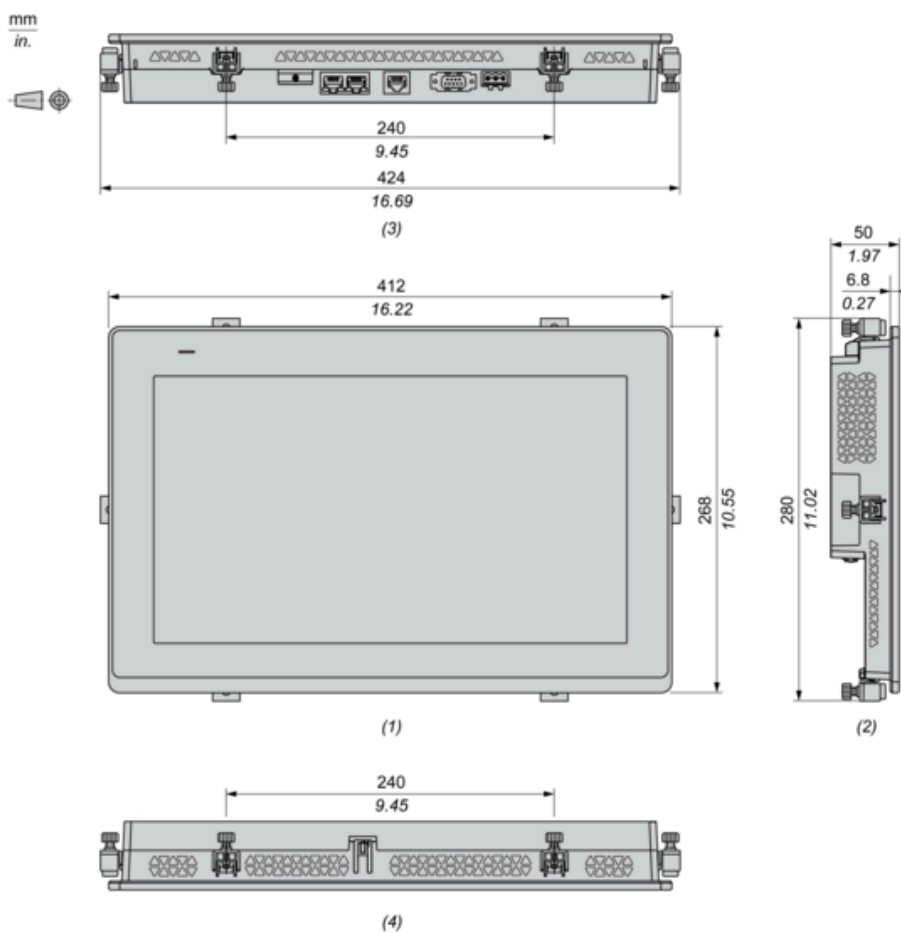
**Dimensions**

**External Dimensions**



- (1) : Front
- (2) : Left
- (3) : Bottom

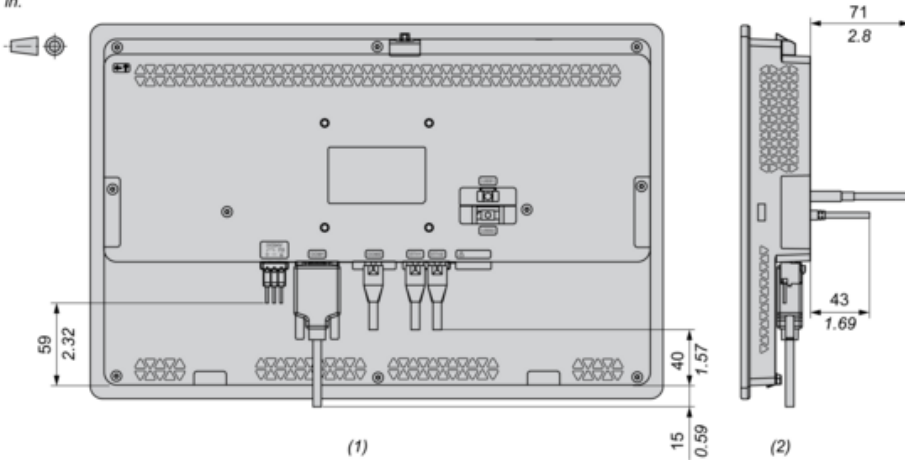
**Dimensions with Installation Fasteners**



- (1) : Front
- (2) : Left
- (3) : Bottom
- (4) : Top

# Dimensions with Cables

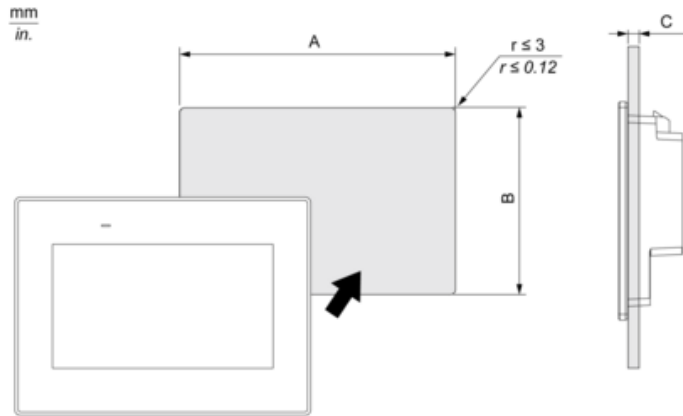
mm  
in.



- (1) : Rear
- (2) : Right

**Mounting**

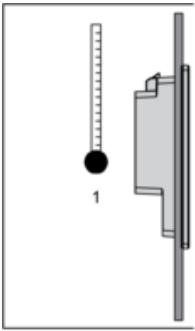
**Panel Cut Dimensions**



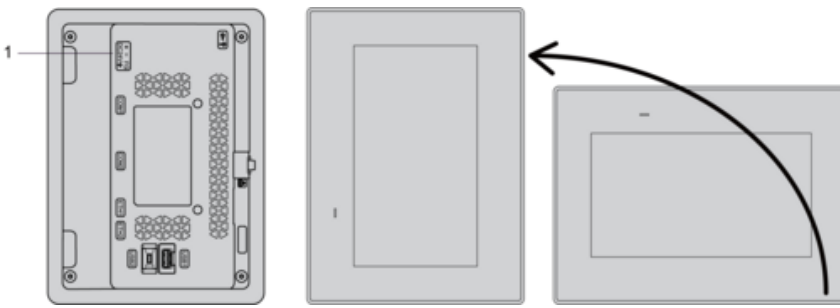
A		B		C	
mm	in.	mm	in.	mm	in.
394 (+1, -0)	15.51 (+0.04, -0)	250 (+1, -0)	9.84 (+0.04, -0)	1.6...5	0.06...0.2

**Installation Requirements**

---

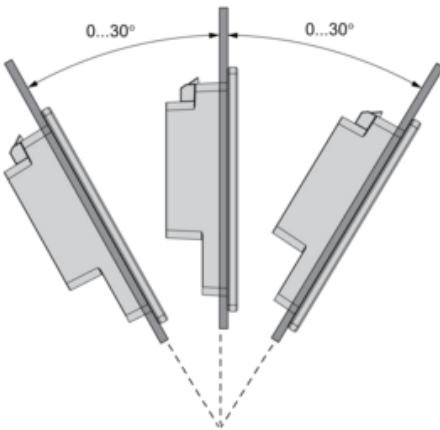


- 1 : Internal temperature
- 2 : External temperature



- 1 : Power connector

**Mounting Angle**



**Clearance**

