

# Product data sheet

Specifications



## Touch panel screen, Harmony STO & STU, 4.3" wide RS 232 terminal block

HMISTO705

**Product availability : Stock - Normally stocked in distribution facility**

**Price\* : 350.00 USD**

### Main

Range of Product	Harmony STO & STU
Product or Component Type	Touch panel screen
Software designation	EcoStruxure Operator Terminal Expert
Operating System	Harmony

### Complementary

Display size	4.3 inch
Display Type	Colour TFT LCD
Display colour	65536 colours
Display Resolution	480 x 272 pixels
Touch panel	Analogue
Backlight lifespan	50000 hours white
Brightness	16 levels via touch panel
Character font	ASCII (European characters) Chinese (simplified Chinese) Korean Japanese (ANK, Kanji) Cyrillic Taiwanese (traditional Chinese)
[Us] rated supply voltage	12...24 V DC - 10...20 %
Power consumption in W	7.5 W
Number of pages	8999
Memory description	Back up of data 512 kB Application memory 26 MB
Integrated connection type	1 USB 2.0 type mini B 1 USB 2.0 type A 1 serial link - 9-pin terminal block - RS232C 2400...115200 bps)
Supply	External source
Realtime clock	With RTC-battery set optional
Downloadable protocols	Third party protocols Modbus
Range Compatibility	Mitsubishi Siemens Omron Allen-Bradley

\* Price is "List Price" and may be subject to a trade discount – check with your local distributor or retailer for actual price.

<b>Fixing mode</b>	By 2 installation fasteners 1.5 to 6 mm thick panel
<b>Enclosure Material</b>	PPT
<b>Front material</b>	Plastic
<b>Cut-out dimensions</b>	77.5 x 112.5 mm 66 x 105 mm with mounting adaptor
<b>Net Weight</b>	0.49 lb(US) (0.22 kg)

## Environment

<b>Standards</b>	ANSI/ISA 12.12.01 CSA C22.2 No 142 EN 61000-6-2 CSA C22.2 No 213 UL 61010-1 EN 61131-2 EN 61000-6-4 UL 61010-2-201
<b>Product Certifications</b>	KCC CE UL C-tick ATEX zone 2/22 cUL
<b>Ambient air temperature for operation</b>	32...122 °F (0...50 °C)
<b>Ambient Air Temperature for Storage</b>	-4...140 °F (-20...60 °C)
<b>Relative humidity</b>	10...90 % without condensation
<b>Operating altitude</b>	6561.68 ft (2000 m)
<b>IP degree of protection</b>	IP65f front panel) IP20 rear panel)
<b>NEMA degree of protection</b>	NEMA 4X/13 front panel indoor use)
<b>Shock resistance</b>	15 gn 11 msIEC 61131-2
<b>Vibration resistance</b>	1 gn 5...150 Hz) IEC 61131-2 3.5 mm constant amplitude 5...150 Hz) IEC 61131-2
<b>Electromagnetic compatibility</b>	Resistance to radiated electromagnetic fields 10 V/m 80 MHz...2.7 GHz) Resistance to electrostatic discharge 8 kV air discharge)level 3 EN 61000-4-2 Resistance to electrostatic discharge 6 kV direct contact)level 3 EN 61000-4-2

## Ordering and shipping details

<b>Category</b>	22569-MAGELIS XBT-GT (AND XBT-G)
<b>Discount Schedule</b>	MC2
<b>GTIN</b>	3606480920899
<b>Nbr. of units in pkg.</b>	1
<b>Package weight(Lbs)</b>	19.35 oz (548.5 g)
<b>Returnability</b>	Yes
<b>Country of origin</b>	CN

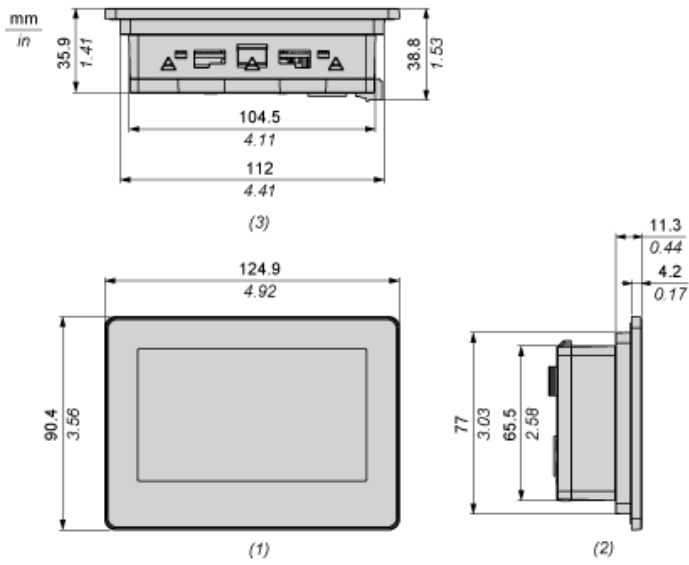
## Packing Units

<b>Unit Type of Package 1</b>	PCE
<b>Package 1 Height</b>	5.20 in (13.2 cm)
<b>Package 1 width</b>	3.07 in (7.8 cm)
<b>Package 1 Length</b>	7.17 in (18.2 cm)

## Offer Sustainability

<b>Sustainable offer status</b>	Green Premium product
<b>California proposition 65</b>	WARNING: This product can expose you to chemicals including: Lead and lead compounds, which is known to the State of California to cause cancer and birth defects or other reproductive harm. For more information go to <a href="http://www.P65Warnings.ca.gov">www.P65Warnings.ca.gov</a>
<b>REACH Regulation</b>	<a href="#">REACH Declaration</a>
<b>EU RoHS Directive</b>	Pro-active compliance (Product out of EU RoHS legal scope) <a href="#">EU RoHS Declaration</a>
<b>Mercury free</b>	Yes
<b>RoHS exemption information</b>	<a href="#">Yes</a>
<b>China RoHS Regulation</b>	<a href="#">China RoHS declaration</a>
<b>Environmental Disclosure</b>	<a href="#">Product Environmental Profile</a>
<b>Circularity Profile</b>	<a href="#">End of Life Information</a>
<b>WEEE</b>	The product must be disposed on European Union markets following specific waste collection and never end up in rubbish bins.

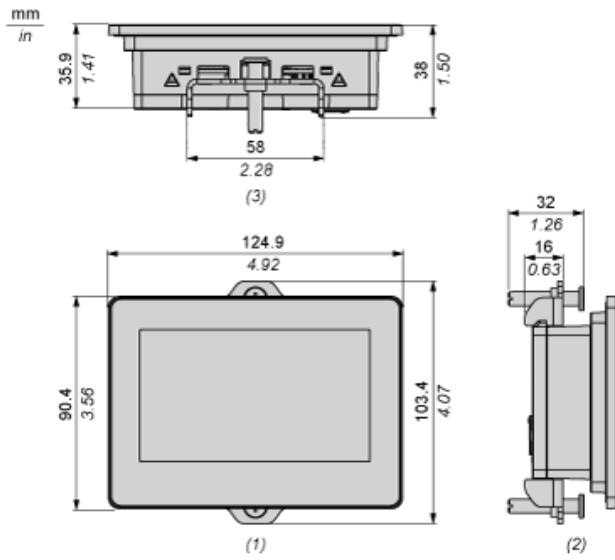
**External Dimensions**



- 1 Front
- 2 Left
- 3 Bottom

## Dimensions with Installation Fasteners

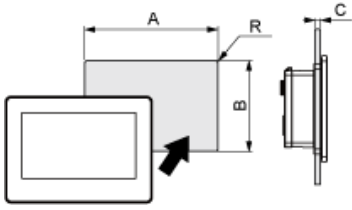
---



- 1 Front
- 2 Left
- 3 Bottom

**Mounting**

**Panel Cut-out Dimensions**



Dimensions in mm

Description	A	B	C	R
Without adapter	112.5	77.5	1.5...6	3 max.
With adapter	105	66	1.5...6	3 max.

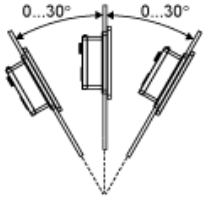
Dimensions in in.

Description	A	B	C	R
Without adapter	4.43	3.05	0.06...0.24	0.12 max.
With adapter	4.13	2.6	0.06...0.24	0.12 max.

**Installation Requirements**

---

**Mounting Angle**



When installing this product in a slanted position with an incline more than 30°, the ambient temperature must not exceed 40 °C (104 °F). You may need to use forced air cooling (fan, A/C) to ensure the ambient operating temperature is 40 °C or less (104 °F or less).

**Clearance**

