

# Product data sheet

Specifications



## Touch panel screen, Harmony STO & STU, 5"7 Color

HMISTU855

**Product availability : Stock - Normally stocked in distribution facility**

**Price\* : 873.00 USD**

### Main

Range of Product	Harmony STO & STU
Product or Component Type	Touch panel screen
Software designation	Vijeo Designer
Operating System	Harmony
Processor name	CPU ARM9

### Complementary

Display size	5.7 inch
Display Type	QVGA TFT colour touchscreen
Display colour	65536 colours
Display Resolution	320 x 240 pixels QVGA
Touch panel	Analogue
Backlight lifespan	50000 hours
Brightness	16 levels
Character font	Taiwanese (traditional Chinese) Japanese (ANK, Kanji) Chinese (simplified Chinese) ASCII Korean
[Us] rated supply voltage	24 V DC
Supply	External source
Supply voltage limits	20.4...28.8 V
Inrush current	30 A
Power consumption in W	6.8 W
Number of pages	Limited by internal memory capacity
Processor frequency	333 MHz
Memory description	Application memory 16 MB Back up of data 64 kB
Integrated connection type	1 USB 2.0 type mini B 1 USB 2.0 type A COM1 serial link - female RJ45 - RS232C/RS485 <= 115.2 kbits/s) power supply - removable screw terminal block 1 Ethernet - RJ45

\* Price is "List Price" and may be subject to a trade discount – check with your local distributor or retailer for actual price.

<b>Realtime clock</b>	Access to the PLC real-time clock
<b>Downloadable protocols</b>	Uni-TE Modbus TCP/IP Third party protocols Modbus
<b>Fixing mode</b>	Ø 22 mm hole
<b>Enclosure Material</b>	PC/PBT and PAA
<b>Marking</b>	With Schneider logo CE
<b>Height</b>	5.08 in (129.15 mm)
<b>Width</b>	6.42 in (163 mm)
<b>Depth</b>	2.22 in (56.5 mm)

## Environment

<b>Immunity to microbreaks</b>	7 ms
<b>Standards</b>	UL 1604 FCC Class A IEC 61000-6-2 EN 61131-2 UL 508
<b>Product Certifications</b>	UL class 1 Div2 T4A ou T5 C-tick cULus Marine
<b>Ambient air temperature for operation</b>	32...122 °F (0...50 °C)
<b>Ambient Air Temperature for Storage</b>	-4...140 °F (-20...60 °C)
<b>Relative humidity</b>	0...85 % without condensation
<b>Operating altitude</b>	<= 6561.68 ft (2000 m)
<b>IP degree of protection</b>	IP20 IEC 60529 rear panel) IP65 IEC 60529 front panel)
<b>NEMA degree of protection</b>	NEMA 4X front panel indoor use)
<b>Shock resistance</b>	15 gn 11 ms IEC 60068-2-27
<b>Vibration resistance</b>	+/- 3.5 mm 5...9 Hz) IEC 60068-2-6 1 gn 9...150 Hz) IEC 60068-2-6
<b>Resistance to electromagnetic fields</b>	9.14 V/m (10 V/m) IEC 61000-4-3

## Ordering and shipping details


<b>Category</b>	22569-MAGELIS XBT-GT (AND XBT-G)
<b>Discount Schedule</b>	MC2
<b>GTIN</b>	3606489909499
<b>Nbr. of units in pkg.</b>	1
<b>Package weight(Lbs)</b>	30.51 oz (865 g)
<b>Returnability</b>	Yes
<b>Country of origin</b>	CN

## Packing Units

<b>Unit Type of Package 1</b>	PCE
<b>Package 1 Height</b>	2.74 in (6.961 cm)
<b>Package 1 width</b>	7.30 in (18.532 cm)

Package 1 Length	10.62 in (26.974 cm)
Unit Type of Package 2	S03
Number of Units in Package 2	8
Package 2 Weight	262.29 oz (7436 g)
Package 2 Height	11.81 in (30 cm)
Package 2 width	11.81 in (30 cm)
Package 2 Length	15.75 in (40 cm)
Unit Type of Package 3	P12
Number of Units in Package 3	192
Package 3 Weight	6612.49 oz (187464 g)
Package 3 Height	37.40 in (95 cm)
Package 3 width	31.50 in (80 cm)
Package 3 Length	47.24 in (120 cm)

## Offer Sustainability

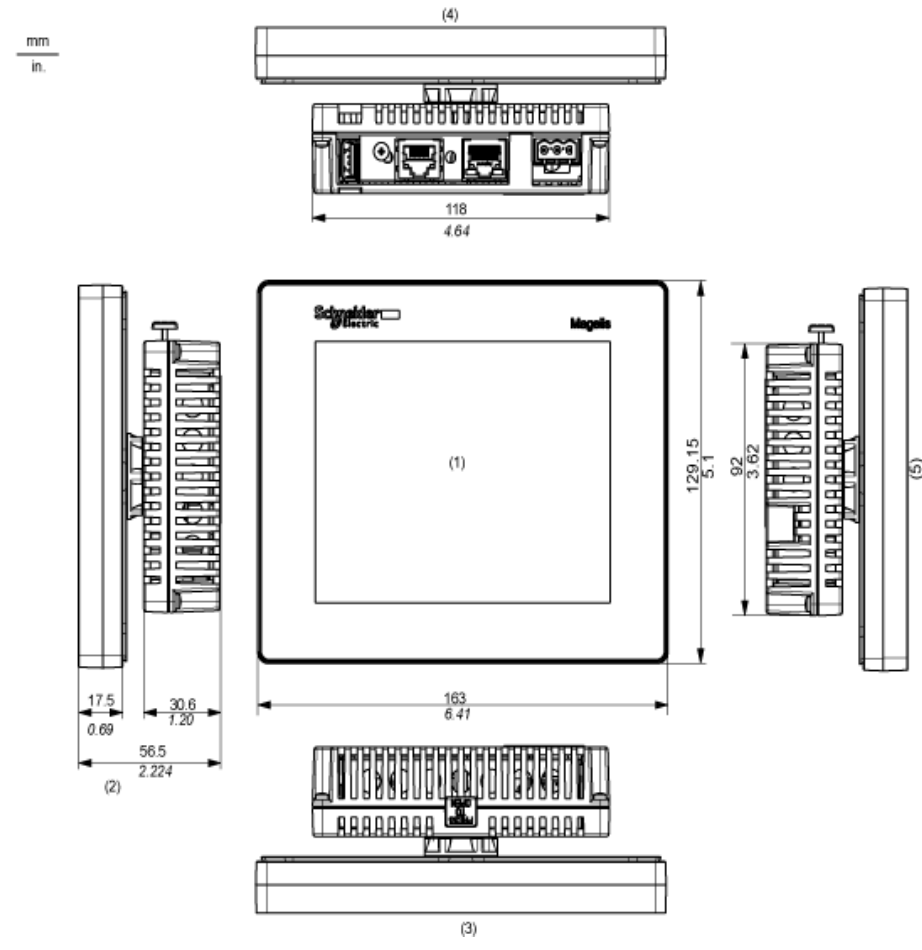
Sustainable offer status	Green Premium product
California proposition 65	WARNING: This product can expose you to chemicals including: Lead and lead compounds, which is known to the State of California to cause cancer and birth defects or other reproductive harm. For more information go to <a href="http://www.P65Warnings.ca.gov">www.P65Warnings.ca.gov</a>
REACH Regulation	<a href="#">REACH Declaration</a>
EU RoHS Directive	Pro-active compliance (Product out of EU RoHS legal scope) <a href="#">EU RoHS Declaration</a>
Mercury free	Yes
RoHS exemption information	<a href="#">Yes</a>
China RoHS Regulation	<a href="#">China RoHS declaration</a>
Environmental Disclosure	<a href="#">Product Environmental Profile</a>
Circularity Profile	<a href="#">End of Life Information</a>
WEEE	The product must be disposed on European Union markets following specific waste collection and never end up in rubbish bins.
Upgradeability	<a href="#">Upgradeable through digital modules and upgraded components</a> 

## Contractual warranty

Warranty	18 months
----------	-----------

**Display and Rear Modules**

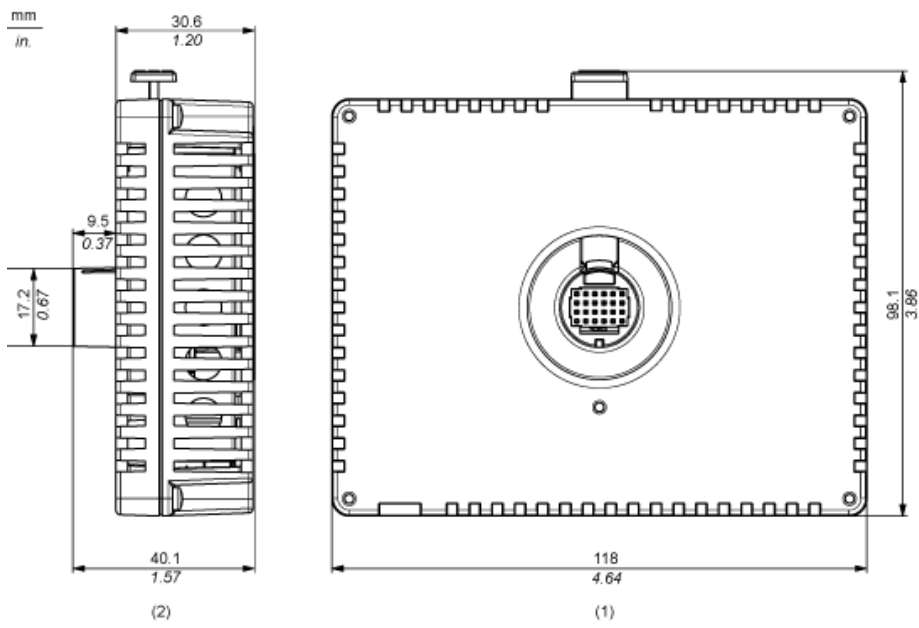
**Dimensions**



- (1) Front
- (2) Right side
- (3) Top
- (4) Bottom
- (5) Left side

## Rear Module

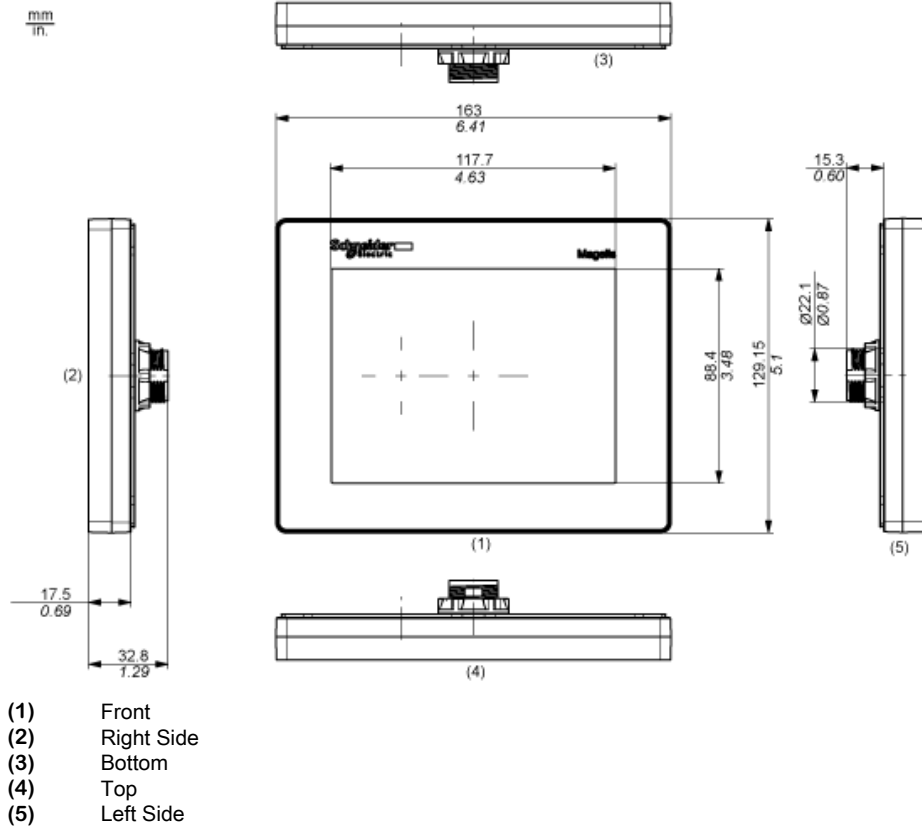
### Dimensions



- (1) Front
- (2) Right Side

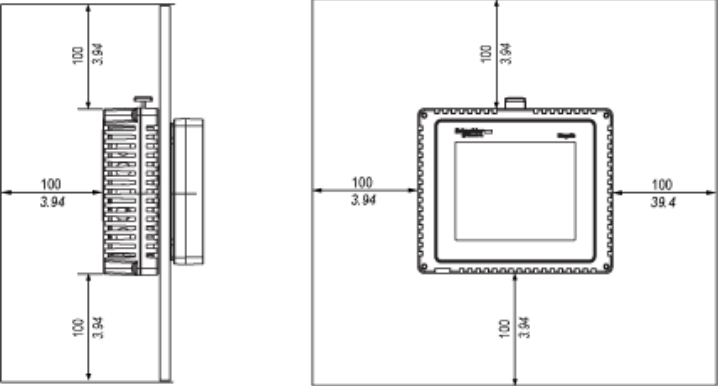
**Display Module**

**Dimensions**

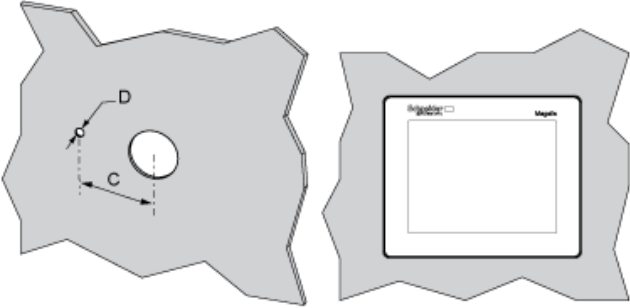


Clearance

mm  
in.



**Panel Cut-out Dimensions**



C (mm)	C (in.)	D (mm)	D (in.)
+0	+0	+0	+0
30.00	1.18	4.00	0.15
-0.20	-0.007	-0.20	-0.007

**NOTE:** With the tee option, the rotating torque that can be supported by the display module is 6 Nm (53.10 in-lb).