

# Product data sheet

Specifications



## Touch panel screen, Harmony ST6 , 15"W display, 2Ethernet, USB host&device, 24 VDC

HMISTW6700

**Product availability : Stock - Normally stocked in distribution facility**

**Price\* : 1,885.00 USD**

### Main

Range of Product	Harmony ST6
Product or Component Type	Touch panel screen
Software designation	Web interface for operator
Processor name	ARM Cortex-A8

### Complementary

Display size	15 inch
Display Type	Colour TFT LCD
Display colour	16 million colours
Display Resolution	1366 x 768 pixels FWXGA
Touch panel	Single touch analogue resistive
Backlight lifespan	50000 hours white
Brightness	16 levels
Character font	ASCII ASCII (European characters) Katakana
[Us] rated supply voltage	24 V DC +/- 20 %)
Inrush current	30 A
Local signalling	Status LED green, steady offline Status LED green, steady operating Status LED green, flashing operating Status LED green, faded stand-by Status LED orange, flashing software starting up Status LED red, steady power supply (ON) Status LED red, flashing operating Status LED red, off power supply (OFF)
Power consumption in W	18.5 W
Processor frequency	800 MHz
Port Ethernet	10/100BASE
Memory description	512 MB device memory 512 MB backup memory 128 kB user data memory
Integrated connection type	1 USB 2.0 type Aback 1 USB 2.0 type micro Bback 2 Ethernet - female RJ45bottom

\* Price is "List Price" and may be subject to a trade discount – check with your local distributor or retailer for actual price.

<b>Supply</b>	External supply
<b>Realtime clock</b>	Built-in 0...50 °C Built-in 10...90 % RH
<b>Fixing mode</b>	By 6 screws 1.6...5 mm thick panel UL 61010-2-201 By 6 screws EN 61131-2 By 6 screws IEC 61000-6-2
<b>Enclosure Material</b>	PC
<b>Front material</b>	Aluminium
<b>Marking</b>	CE
<b>Cut-out dimensions</b>	394 x 250 mm panel cut dimension
<b>Height</b>	10.55 in (268 mm)
<b>Width</b>	16.22 in (412 mm)
<b>Depth</b>	1.97 in (50 mm)
<b>Net Weight</b>	5.95 lb(US) (2.7 kg)

## Environment

<b>Immunity to microbreaks</b>	10 ms
<b>Standards</b>	EN 61000-6-4 EN 61000-6-2 EN 61131-2 UL 61010-2-201 CSA C22.2 No 61010-2-201
<b>Product Certifications</b>	CSA CE
<b>Directives</b>	2014/35/EU - low voltage directive 2014/30/EU - electromagnetic compatibility
<b>Ambient air temperature for operation</b>	32...122 °F (0...50 °C)
<b>Ambient Air Temperature for Storage</b>	-4...140 °F (-20...60 °C)
<b>Relative humidity</b>	10...90 % non-condensing
<b>Operating altitude</b>	6561.68 ft (2000 m)
<b>IP degree of protection</b>	IP20 IEC 61131-2 rear panel) IP65 IEC 61131-2 front panel)
<b>NEMA degree of protection</b>	NEMA 4 front panel (indoor use) NEMA 13 front panel (in enclosure)
<b>Shock resistance</b>	147 m/s <sup>2</sup> 11 ms X, Y, Z directions for 3 times)EN/IEC 61131-2
<b>Vibration resistance</b>	+/- 3.5 mm 5...9 Hz) X, Y, Z directions for 10 cycles (approx. 100 min) EN/IEC 61131-2 9.8 m/s <sup>2</sup> 9...150 Hz)
<b>Electromagnetic compatibility</b>	Electrical fast transient/burst immunity test 2 kV power ports) IEC 61000-4-4 Electrical fast transient/burst immunity test 1 kV signal ports) Electrostatic discharge immunity test 6 kV contact discharge) EN/IEC 61000-4-2 level 3 Electrostatic discharge immunity test 8 kV air discharge)

## Ordering and shipping details

<b>Category</b>	22565-HARMONY BASIC HMI
<b>Discount Schedule</b>	MC2
<b>GTIN</b>	00785901428640
<b>Nbr. of units in pkg.</b>	1
<b>Package weight(Lbs)</b>	7.78 lb(US) (3.53 kg)
<b>Returnability</b>	No
<b>Country of origin</b>	US

## Packing Units

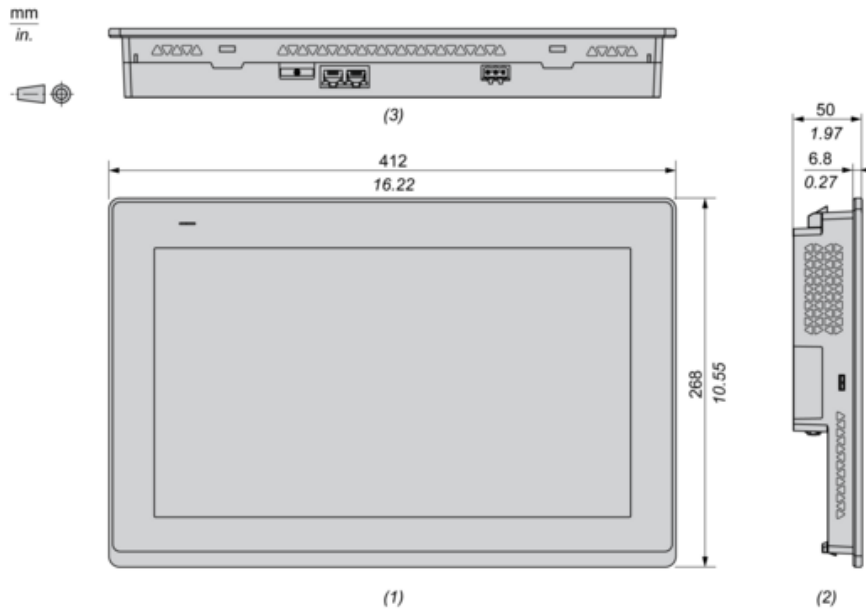
Unit Type of Package 1	PCE
Package 1 Height	1.97 in (5 cm)
Package 1 width	10.55 in (26.8 cm)
Package 1 Length	16.22 in (41.2 cm)
Unit Type of Package 2	S04
Number of Units in Package 2	2
Package 2 Weight	16.98 lb(US) (7.7 kg)
Package 2 Height	11.81 in (30 cm)
Package 2 width	15.75 in (40 cm)
Package 2 Length	23.62 in (60 cm)
Unit Type of Package 3	P12
Number of Units in Package 3	32
Package 3 Weight	293.13 lb(US) (132.96 kg)
Package 3 Height	43.31 in (110 cm)
Package 3 width	31.50 in (80 cm)
Package 3 Length	47.24 in (120 cm)

## Offer Sustainability

Sustainable offer status	Green Premium product
California proposition 65	WARNING: This product can expose you to chemicals including: Lead and lead compounds, which is known to the State of California to cause cancer and birth defects or other reproductive harm. For more information go to <a href="http://www.P65Warnings.ca.gov">www.P65Warnings.ca.gov</a>
REACH Regulation	<a href="#">REACH Declaration</a>
EU RoHS Directive	Compliant <a href="#">EU RoHS Declaration</a>
Mercury free	Yes
RoHS exemption information	<a href="#">Yes</a>
China RoHS Regulation	<a href="#">China RoHS declaration</a>
Environmental Disclosure	<a href="#">Product Environmental Profile</a>
Circularity Profile	<a href="#">End of Life Information</a>
WEEE	The product must be disposed on European Union markets following specific waste collection and never end up in rubbish bins.

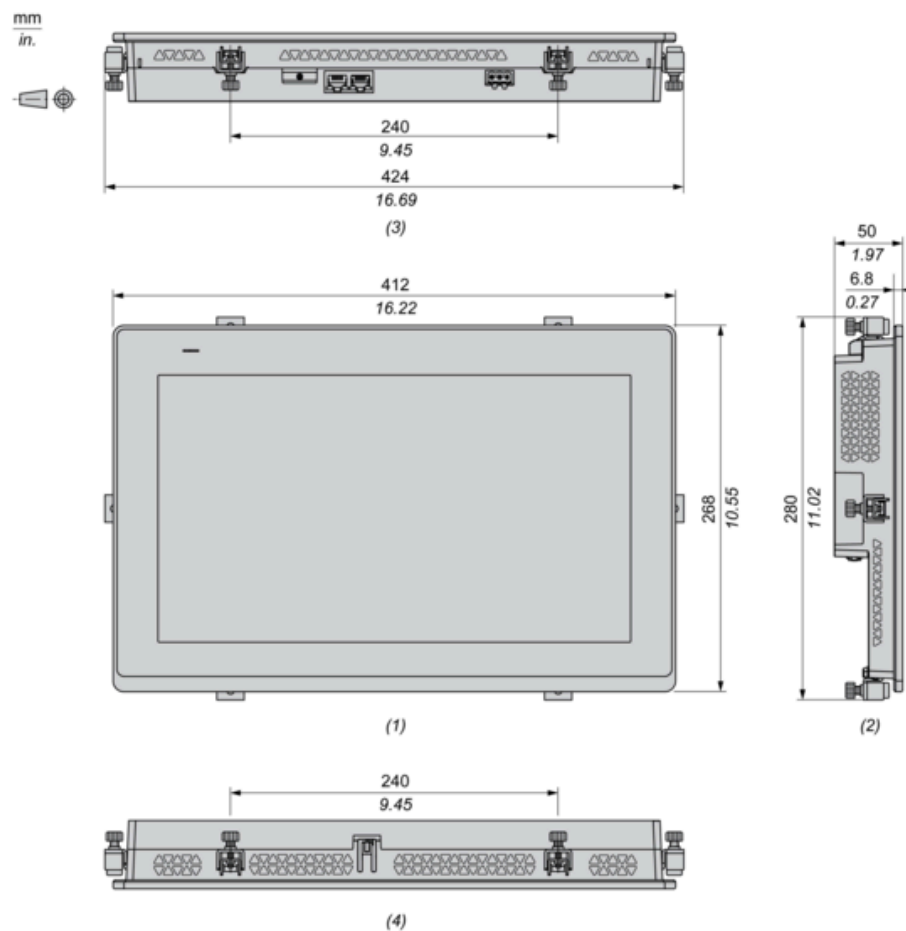
**Dimensions**

**External Dimensions**



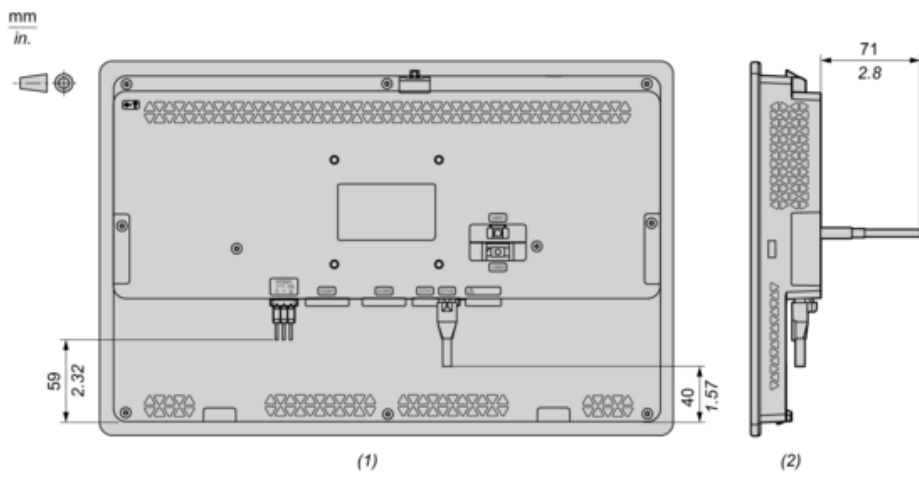
- (1) : Front
- (2) : Left
- (3) : Bottom

**Dimensions with Installation Fasteners**



- (1) : Front
- (2) : Left
- (3) : Bottom
- (4) : Top

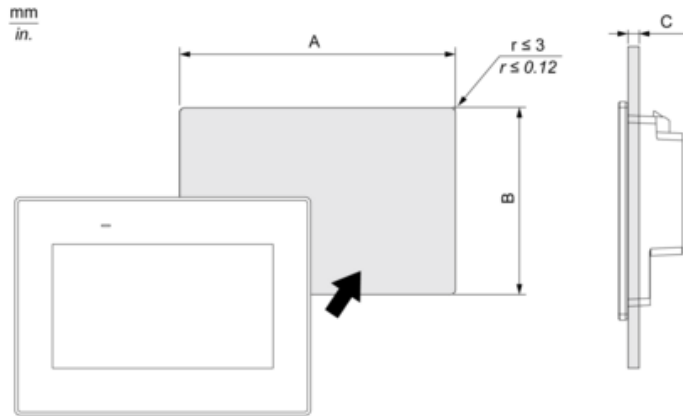
## Dimensions with Cables



- (1) : Rear
- (2) : Right

**Mounting**

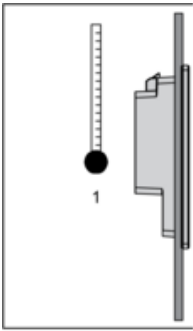
**Panel Cut Dimensions**



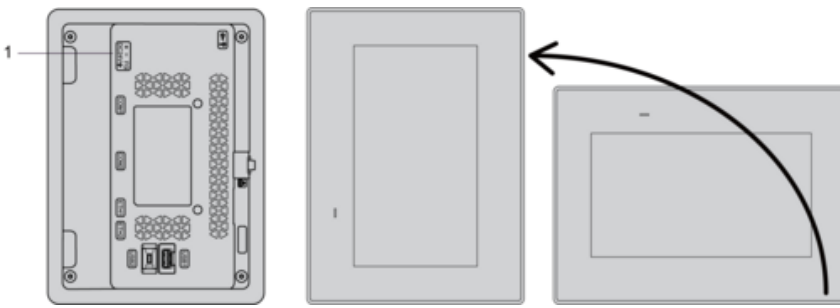
A		B		C	
mm	in.	mm	in.	mm	in.
394 (+1, -0)	15.51 (+0.04, -0)	250 (+1, -0)	9.84 (+0.04, -0)	1.6...5	0.06...0.2

**Installation Requirements**

---

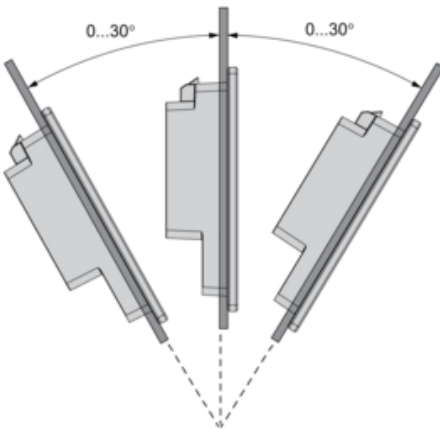


- 1 : Internal temperature
- 2 : External temperature



- 1 : Power connector

**Mounting Angle**



**Clearance**

