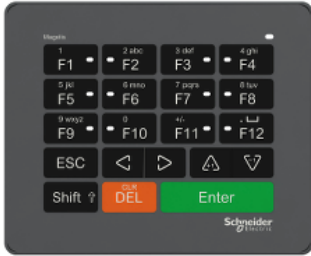


# Product data sheet

Specifications



## USB keyboard - 12 function - keys with LEDs integrated - alphanumeric input

HMIZKB1

### Main

Range of product	Harmony HMIZ
Product or component type	Keyboard
Product compatibility	HMIGXO HMISTU HMISTO HMIGTO HMISCU
Device application	Industrial machines Food and beverage
Provided equipment	1 x user manual 1 x tightening wrench 1 x anti-rotation tee 1 x USB cable type A/mini-B (with 1.8 m) 1 x USB type mini-B cable clamp 1 x fixing nut 1 x replaceable label for function keys

### Complementary

Software designation	Vijeo Designer version >= V6.2
Connector type	Mini B USB
Number of key	20
Number of customisable keys	12 with integrated LEDs
Colour of cover	Front dark grey cover
[Us] rated supply voltage	5 V DC, connector type: USB 2.0
Supply voltage limits	4.75...5.25 V DC
Power consumption in W	0.75 W
Shock resistance	147 m/s <sup>2</sup> for 3 chocks in each direction X, Y and Z conforming to IEC 61131-2
Electromagnetic compatibility	Electrostatic discharge immunity test - test level: 8 kV (air discharge) conforming to IEC 61000-4-2 Electrostatic discharge immunity test - test level: 6 kV (contact discharge) conforming to IEC 61000-4-2 Electrical fast transient/burst immunity test - test level: 2 kV (power ports) conforming to IEC 61000-4-4 Electrical fast transient/burst immunity test - test level: 1 kV (signal ports) conforming to IEC 61000-4-4
Mounting location	Flat surface
Quantity per set	1 piece
Height	80 mm
Width	97.6 mm
Depth	31.5 mm
Net weight	0.15 kg

## Environment

Ambient air temperature for storage	-20...60 °C
Ambient air temperature for operation	0...55 °C
Relative humidity	10...90 % at 0...39 °C non-condensing
Pollution degree	2
Environmental characteristic	Corrosive gas free
Operating altitude	<= 2000 m
Vibration resistance	3.5 mm (f= 5...9 Hz) conforming to IEC 61131-2
IP degree of protection	IP65 (front panel (in enclosure))
NEMA degree of protection	NEMA 4X for indoor installation installation NEMA 4X for enclosed outdoor installation
Standards	EN 61000-6-4 CSA C22.2 No 213 EN 61000-6-2 CSA C22.2 No 142 ANSI/ISA 12.12.01 EMC 2004/108/EC UL 508
Product certifications	CE RCM EAC UL/cUL listed
Level or class	Class I Division 2 Groups A/B/C/D

## Packing Units

Unit Type of Package 1	PCE
Number of Units in Package 1	1
Package 1 Weight	300.0 g
Package 1 Height	7.0 cm
Package 1 width	13.5 cm
Package 1 Length	18.5 cm
Unit Type of Package 2	S03
Number of Units in Package 2	100
Package 2 Weight	30.0 kg
Package 2 Height	30.0 cm
Package 2 width	30.0 cm
Package 2 Length	40.0 cm

## Offer Sustainability

EU RoHS Directive	Pro-active compliance (Product out of EU RoHS legal scope) <a href="#">EU RoHS Declaration</a>
Mercury free	Yes
RoHS exemption information	<a href="#">Yes</a>
China RoHS Regulation	<a href="#">China RoHS declaration</a>
WEEE	The product must be disposed on European Union markets following specific waste collection and never end up in rubbish bins
California proposition 65	WARNING: This product can expose you to chemicals including: Lead and lead compounds, which is known to the State of California to cause cancer and birth defects or other reproductive harm. For more information go to <a href="http://www.P65Warnings.ca.gov">www.P65Warnings.ca.gov</a>

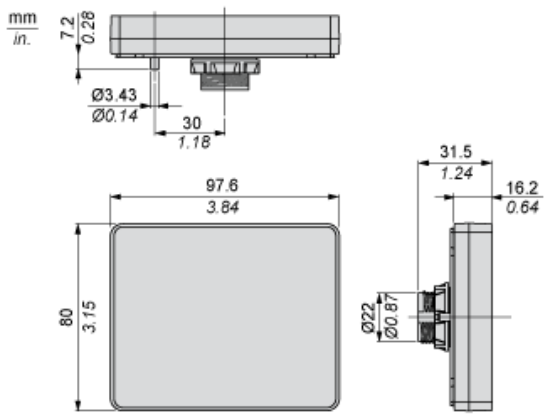
# Contractual warranty

Warranty

18 months

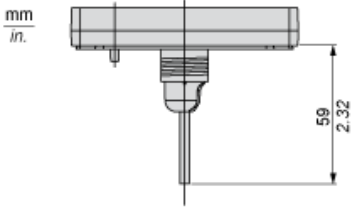
## Dimensions

---

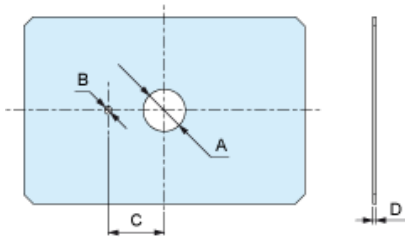


**Dimensions with Cables**

---



**Mounting of Panel Cut-Out**



Dimensions in mm

A	B	C	D
22.50 <sub>-0.30</sub>	4 <sub>-0.20</sub>	30 <sub>-0.20</sub>	1.5...6

Dimensions in in.

A	B	C	D
0.88 <sub>-0.01</sub>	0.15 <sub>-0.007</sub>	1.18 <sub>-0.007</sub>	0.06...0.23