

Product data sheet

Specifications

Illuminated Switch-5 Function keys with multi-color LEDs backlit



HMIZRA1

Main

Range of product	Harmony HMIZ
Product or component type	Illuminated USB switch
Product compatibility	XBTGC - controller panel XBTGT2... - advanced touch panel HMISTO - touch panel HMISCU - touch panel XBTGT6... - advanced touch panel HMIGTW - advanced touch panel XBTGK - graphic display XBTGT4... - advanced touch panel XBTGT5... - advanced touch panel XBTGT7... - advanced touch panel HMISTU - touch panel HMIGTO - advanced touch panel HMIPSP - S-Panel PC HMIPSO - S-Panel PC HMIBMU - Modular Box PC HMIBMP - Modular Box PC HMIBMO - Modular Box PC HMIBMI - Modular Box PC
Device application	Food and beverage Industrial machines
Provided equipment	1 x user manual 1 x USB type B cable clamp 1 x fixing nut 1 x tightening wrench 1 x anti-rotation tee 1 x gasket 1 x insert label 1 x USB cable type A/B (with 1 m)

Complementary

Software designation	Vijeo Designer version >= V6.1 SP2
Connector type	USB type B
Control type	5 push-buttons with multi-colour backlit LED
Colour of cover	Front dark grey cover
[Us] rated supply voltage	5 V DC, connector type: USB 2.0
Supply voltage limits	4.75...5.25 V DC
Power consumption in W	2 W
Shock resistance	147 m/s ² for 3 chocks in each direction X, Y and Z conforming to IEC 61131-2
Electromagnetic compatibility	Electrostatic discharge immunity test - test level: 8 kV (air discharge) conforming to IEC 61000-4-2 Electrostatic discharge immunity test - test level: 6 kV (contact discharge) conforming to IEC 61000-4-2 Electrical fast transient/burst immunity test - test level: 2 kV (power ports) conforming to IEC 61000-4-4 Electrical fast transient/burst immunity test - test level: 1 kV (signal ports) conforming to IEC 61000-4-4

Mounting location	Flat surface
Quantity per set	1 piece
Height	54 mm
Width	122 mm
Depth	28 mm
Net weight	0.11 kg

Environment

Ambient air temperature for storage	-20...60 °C
Relative humidity	10...90 % at 0...55 °C non-condensing
Pollution degree	2
Environmental characteristic	Corrosive gas free
Operating altitude	<= 2000 m
Vibration resistance	3.5 mm (f= 5...9 Hz) conforming to IEC 61131-2
IP degree of protection	IP65 (front panel (in enclosure))
NEMA degree of protection	NEMA 4X for indoor installation NEMA 13 for enclosed outdoor installation
Standards	CSA C22.2 No 142 UL 508 CSA C22.2 No 213 EN 61000-6-4 ANSI/ISA 12.12.01 EN 61000-6-2 EMC 2004/108/EC
Product certifications	GOST UL/cUL listed C-Tick CE
Level or class	Class I Division 2 Groups A/B/C/D

Packing Units

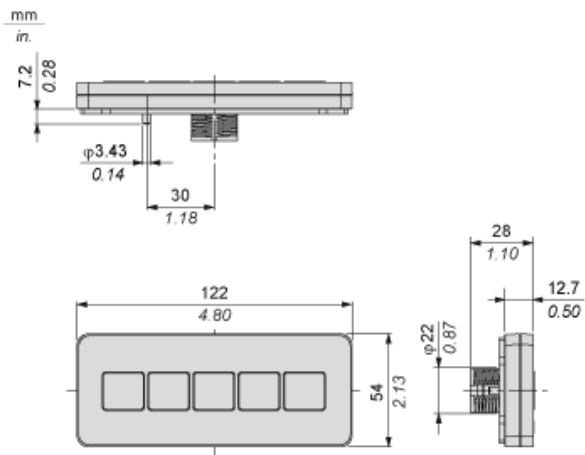
Unit Type of Package 1	PCE
Number of Units in Package 1	1
Package 1 Weight	307.5 g
Package 1 Height	7.5 cm
Package 1 width	13.6 cm
Package 1 Length	18.7 cm
Unit Type of Package 2	CAR
Number of Units in Package 2	1
Package 2 Weight	300 g
Package 2 Height	7 cm
Package 2 width	13.5 cm
Package 2 Length	18.5 cm
Unit Type of Package 3	S04
Number of Units in Package 3	32
Package 3 Weight	10 kg
Package 3 Height	30 cm
Package 3 width	40 cm

Package 3 Length	60 cm
-------------------------	-------

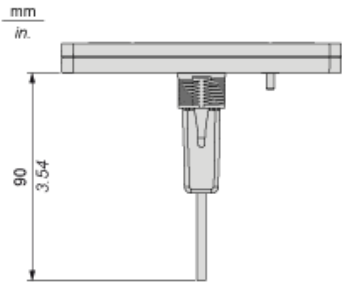
Offer Sustainability

EU RoHS Directive	Pro-active compliance (Product out of EU RoHS legal scope) EU RoHS Declaration
Mercury free	Yes
RoHS exemption information	Yes
China RoHS Regulation	China RoHS declaration
WEEE	The product must be disposed on European Union markets following specific waste collection and never end up in rubbish bins
California proposition 65	WARNING: This product can expose you to chemicals including: Lead and lead compounds, which is known to the State of California to cause cancer and birth defects or other reproductive harm. For more information go to www.P65Warnings.ca.gov

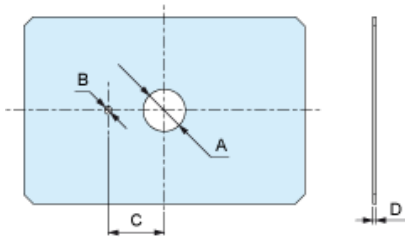
Dimensions



Dimensions with Cable



Mounting of Panel Cut-Out



Dimensions in mm

A	B	C	D
22.50 _{-0.30}	4 _{-0.20}	30 _{-0.20}	1.5...6

Dimensions in in.

A	B	C	D
0.88 _{-0.01}	0.15 _{-0.007}	1.18 _{-0.007}	0.06...0.23