

HY-700 series

Micro switch

- Certain operation and long life expectancy due to the snap action tool and strong chemical resistance case (phenolic resin)
- Excellent repetitive accuracy and 10A opening / closing capacity
- Standard type, hole gap of installation cutout dimension : 25.4mm, fix with M4 bolt
- 9 types of actuators provide wide usages
- Terminal protective cover (optional)



Control switch
Combination display light

Power switch
Main switch
Cam switch

Limit switch
Micro switch

Hoist switch
Foot switch
Mono lever switch

Sign tower
Signal light

Buzzer
Terminal block
Fuse holder

Control box
Cable connector

Discontinued Products

●● Specification


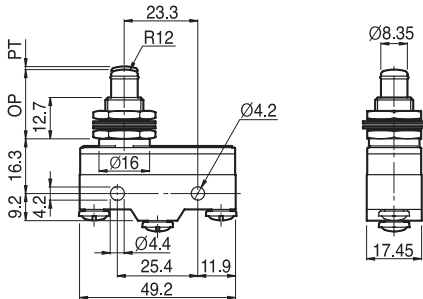
Contact structure	M4-5.5 screw tightening, 1c contact	
Contact material	AgCdO	
Protective structure	Standard type	
Rated current(Ie)	10 A 250 V a.c	
Dielectric strength	2,000 V a.c 50/60 Hz for 1min (between the terminal and non-recharging metal part)	
Insulation resistance	Min 100 M Ω (500 V d.c insulated ohmmeter)	
Contact resistance	Max 50 M Ω (default value)	
Rated voltage(Ue)	250 V a.c	
Vibration	Double amplitude 1.5mm, frequency 10 ~ 55 Hz, continuously 2 hour	
Shock	100 % (durability), 50 % (malfunction)	
Allowable operation speed	0.1 % ~ 1 %	
Life expectancy	Mechanical	Min 1 million times (less than open/close frequency 120 times/min)
	Electrical	Min 300 thousand times (less than open/close frequency 20 times/min)
Ambient temperature	-10 ~ 80 °C	
Ambient humidity	25 ~ 95 % R.H.	
Weight	Approx 800g (10 HY-R704B 1 box)	

●● Terminal arrangement


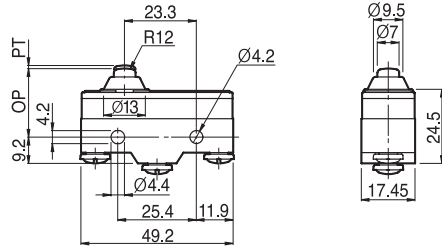
Appearance	Connection diagram
<p>↓ Actuator</p>	

Dimension (unit : mm)


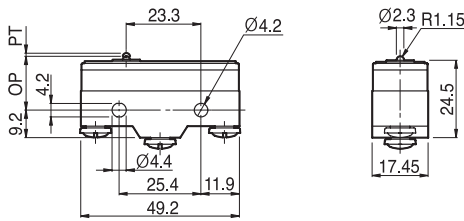
■ Panel mounting type

Appearance	Dimension	Operation characteristic
 <p>HY-P701A (Z4G1P05B)</p>		<p>O.F max : 3.73 N (380 gf) R.F min : 1.12 N (114 gf) P.T max : 1.0 mm O.T min : 5.2 mm M.D max : 0.13 mm O.P : 21.8 ±0.8 mm</p>

■ Spring single push button type


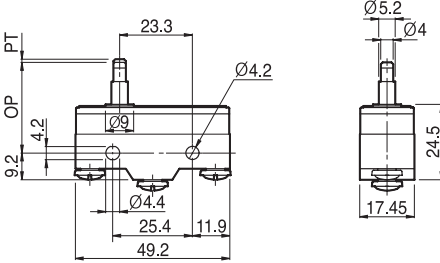
Appearance	Dimension	Operation characteristic
 <p>HY-P701B (Z4G1P09B)</p>		<p>O.F max : 3.73 N (380 gf) R.F min : 1.12 N (114 gf) P.T max : 1.0 mm O.T min : 1.3 mm M.D max : 0.13 mm O.P : 21.8 ±0.8 mm</p>

■ Pin push button type

Appearance	Dimension	Operation characteristic
 <p>HY-P701C (Z4G1P01B)</p>		<p>O.F max : 3.73 N (380 gf) R.F min : 1.12 N (114 gf) P.T max : 1.0 mm O.T min : 0.13 mm M.D max : 0.13 mm O.P : 16.0 ±0.5 mm</p>

HY-700 series


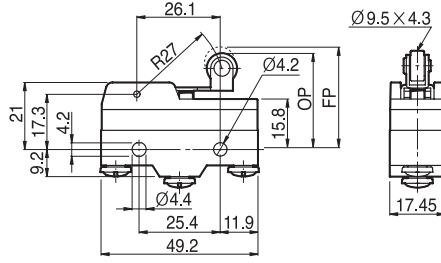
■ Spring stander push button type

Appearance	Dimension	Operation characteristic
 <p>HY-P701D (Z4G1P03B)</p>		<p>O,F max : 3.73 N (380 gf) R,F min : 1.12 N (114 gf) P.T max : 1.0 mm O.T min : 1.3 mm M,D max : 0.13 mm O,P : 28.2 ±0.6 mm</p>

Control switch
Combination display light

Power switch
Cam switch

■ Hinge roller single lever type

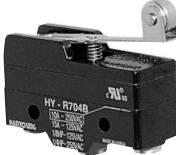
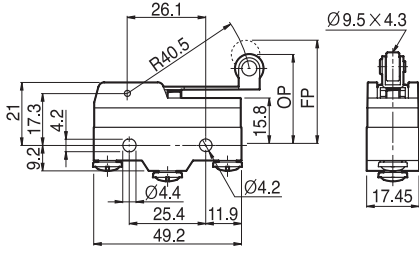
Appearance	Dimension	Operation characteristic
 <p>HY-R704A (Z4G1L07B)</p>		<p>O,F max : 1.57 N (160 gf) R,F min : 0.27 N (28 gf) P.T max : 5.0 mm O.T min : 2.0 mm M,D max : 1.2 mm O,P : 30.2 ±1.0 mm</p>

Limit switch
Micro switch

Hoist switch
Foot switch
Mono lever switch

Sign tower
Signal light

■ Hinge roller middle lever type

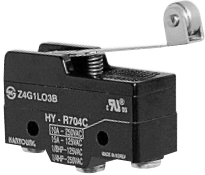
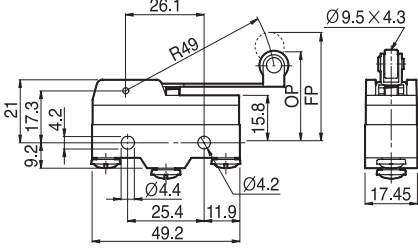
Appearance	Dimension	Operation characteristic
 <p>HY-R704B</p>		<p>O,F max : 1.18 N (120 gf) R,F min : 0.2 N (28 gf) P.T max : 5.0 mm O.T min : 2.0 mm M,D max : 1.2 mm O,P : 30.2 ±1.0 mm</p>

Buzzer
Terminal block
Fuse holder


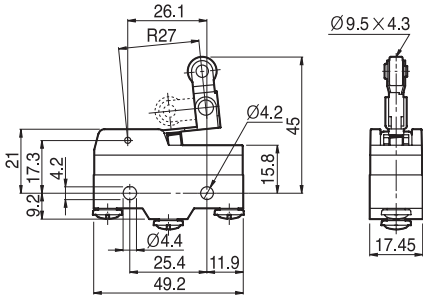
Control box
Cable connector

Discontinued Products


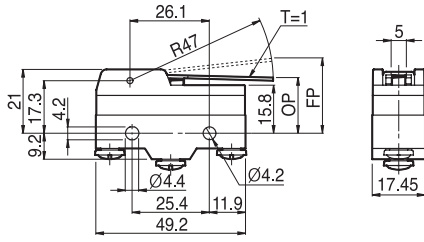
■ Hinge roller lever type

Appearance	Dimension	Operation characteristic
 <p>HY-R704C (Z4G1L03B)</p>		<p>O,F max : 0.98 N (100 gf) R,F min : 0.14 N (14 gf) P.T max : 8.0 mm O.T min : 3.6 mm M,D max : 2.4 mm O.P : 30.2 ±1.0 mm</p>

■ 2 positions roller lever type


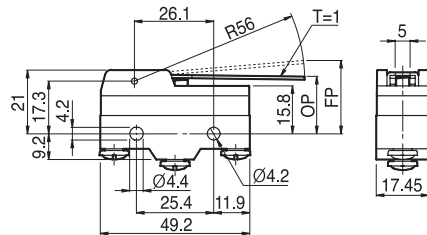
Appearance	Dimension	Operation characteristic
 <p>HY-R704-2W</p>		<p>O,F max : 0.98 N (100 gf) R,F min : 0.14 N (14 gf) P.T max : 8.0 mm O.T min : 3.6 mm M,D max : 0.5 mm O,P : 43.2 ±1.4 mm</p>

■ Single position lever type

Appearance	Dimension	Operation characteristic
 <p>HY-L707A</p>		<p>O,F max : 1.57 N (160 gf) R,F min : 0.27 N (28 gf) P.T max : 5.0 mm O.T min : 2.0 mm M,D max : 1.2 mm O,P : 19.1 ±1.0 mm</p>

HY-700 series

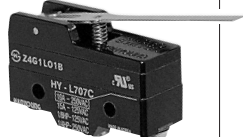
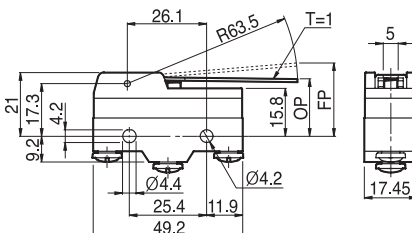
■ Middle lever type

Appearance	Dimension	Operation characteristic
 <p>HY-L707B</p>		<p>O,F max : 1,18 N (120 gf) R,F min : 0,20 N (20 gf) P,T max : 6,5 mm O,T min : 2,8 mm M,D max : 1,8 mm O,P : 19,1 ±1,0 mm</p>

Control switch
Combination display light

Power switch
Main switch
Cam switch

■ Hinge lever type

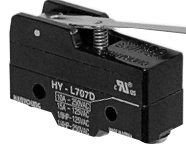
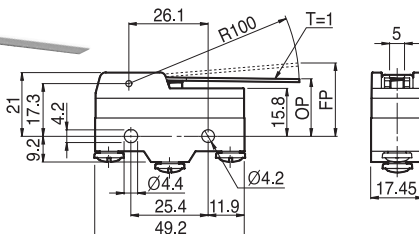
Appearance	Dimension	Operation characteristic
 <p>HY-L707C (Z4G1L01B)</p>		<p>O,F max : 0,98 N (100 gf) R,F min : 0,14 N (14 gf) P,T max : 1,0 mm O,T min : 4,0 mm M,D max : 2,4 mm O,P : 19,1 ±1,0 mm</p>

Limit switch
Micro switch

Hoist switch
Foot switch
Mono lever switch

Sign tower
Signal light

■ Special lever type


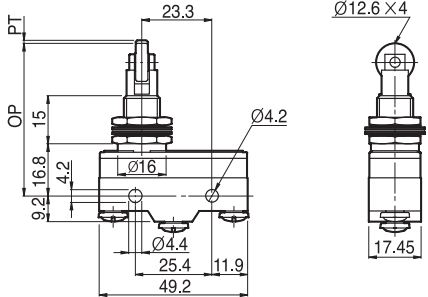
Appearance	Dimension	Operation characteristic
 <p>HY-L707D</p>		<p>O,F max : 0,78 N (80 gf) R,F min : 0,1 N (10 gf) P,T max : 1,4 mm O,T min : 5,6 mm M,D max : 3,5 mm O,P : 19,1 ±1,0 mm</p>

Buzzer
Terminal block
Fuse holder


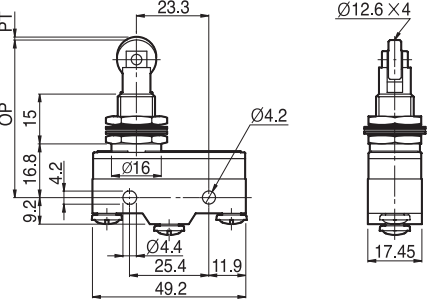
Control box
Cable connector

Discontinued Products

■ Roller panel mounting type (Vertical)

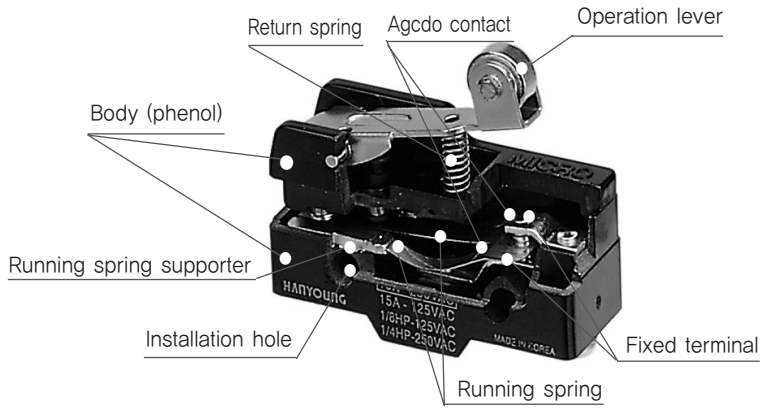
Appearance	Dimension	Operation characteristic
 <p data-bbox="244 606 358 633">HY-PR708A</p>		<p data-bbox="1005 394 1222 421">O,F max : 3.73 N (380 gf)</p> <p data-bbox="1005 432 1208 459">R,F min : 1.12 N (114 gf)</p> <p data-bbox="1005 471 1153 498">P,T max : 1.0 mm</p> <p data-bbox="1005 510 1156 537">O,T min : 3.2 mm</p> <p data-bbox="1005 548 1170 575">M,D max : 0.13 mm</p> <p data-bbox="1005 587 1179 614">O,P : 33.3 ±1.4 mm</p>

■ Roller panel mounting type

Appearance	Dimension	Operation characteristic
 <p data-bbox="244 1079 358 1132">HY-PR708B (Z4G1P07B)</p>		<p data-bbox="1005 867 1222 894">O,F max : 3.73 N (380 gf)</p> <p data-bbox="1005 906 1208 933">R,F min : 1.12 N (114 gf)</p> <p data-bbox="1005 944 1153 971">P,T max : 1.0 mm</p> <p data-bbox="1005 983 1156 1010">O,T min : 3.2 mm</p> <p data-bbox="1005 1022 1170 1049">M,D max : 0.13 mm</p> <p data-bbox="1005 1060 1179 1087">O,P : 33.3 ±1.4 mm</p>

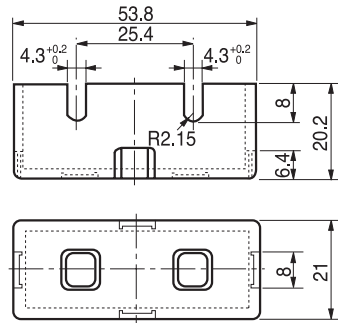
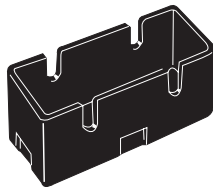
Structure

Internal structure

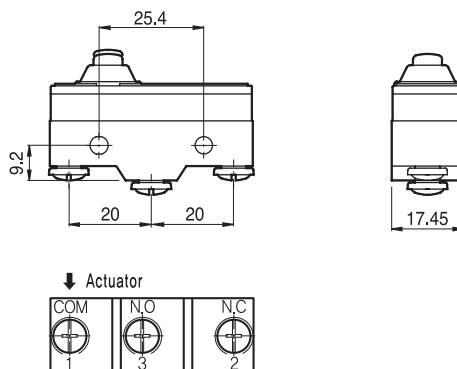


Terminal protective cover

MS-10



Dimension and terminal arrangement



Control switch
Combination display light

Power switch
Main switch
Cam switch

Limit switch
Micro switch

Hoist switch
Foot switch
Mono lever switch

Sign tower
Signal light

Buzzer
Terminal block
Fuse holder

Control box
Cable connector

Discontinued Products