

Product data sheet

Specifications



Partner Module Ethernet System Weighing Transmitter - 1 channel

PMESWT0100

Main

Range of product	Modicon X80
Product or component type	Weighing transmitter module

Complementary

Product compatibility	BMEXBP... backplane Head module BMECRA31210 BMEP58... processor
Power consumption in W	3.5 W
Number of measurement input	1
Input voltage	5 V DC
Resolution	24 bits internal 1000000 points user factory calibrated 500000 at 2 mV/V
Measuring rate	6...400 measurements per second internal 100 measurements per second external
Output type	Reflex digital output
Discrete output number	4 positive logic (source) total 2 for dosing 2 for threshold monitoring
Discrete output voltage	≤ 55 V DC
Nominal output current	400 mA
Response time	2 ms
Discrete input number	2 positive logic for weighing functions
Voltage state 0 guaranteed	0...3 V DC
Voltage state 1 guaranteed	9...28 V DC
Discrete input current	20 mA at 24 V
Status LED	1 LED (green) module operating (RUN) 1 LED (red) module error (ERR) 1 LED (red) external fault (I/O) 1 LED (green) communication (COM) 1 LED (yellow) test mode (TEST) 1 LED (green) calibration (CAL) 1 LED (red) converter error (FAULT) 1 LED (red) memory corruption (MEM ERR) 1 LED (green) digital output status (S0) 1 LED (green) digital output status (S1)
Net weight	0.233 kg

Disclaimer: This documentation is not intended as a substitute for and is not to be used for determining suitability or reliability of these products for specific user applications

Packing Units

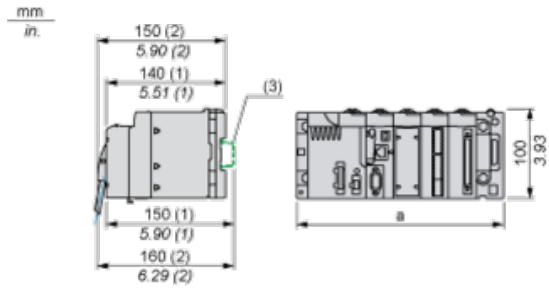
Unit Type of Package 1	PCE
Number of Units in Package 1	1
Package 1 Weight	287.0 g
Package 1 Height	7.2 cm
Package 1 width	13.3 cm
Package 1 Length	17.0 cm
Unit Type of Package 2	S04
Number of Units in Package 2	32
Package 2 Weight	10.185 kg
Package 2 Height	30.0 cm
Package 2 width	40.0 cm
Package 2 Length	60.0 cm

Offer Sustainability

EU RoHS Directive	Pro-active compliance (Product out of EU RoHS legal scope) EU RoHS Declaration
Toxic heavy metal free	Yes
Mercury free	Yes
RoHS exemption information	Yes
China RoHS Regulation	China RoHS declaration
WEEE	The product must be disposed on European Union markets following specific waste collection and never end up in rubbish bins
California proposition 65	WARNING: This product can expose you to chemicals including: Lead and lead compounds, which is known to the State of California to cause cancer and birth defects or other reproductive harm. For more information go to www.P65Warnings.ca.gov

Modules Mounted on Racks

Dimensions



(1) with removable terminal block (cage, screw or spring)

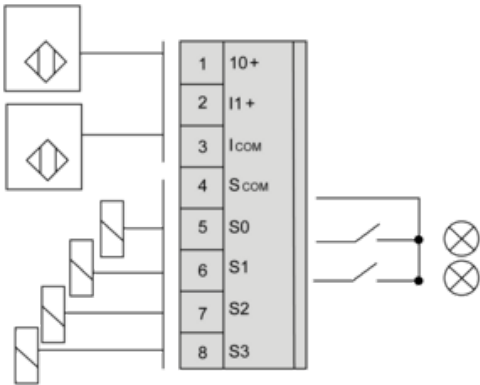
(2) with FCN connector

(3) on AM1 ED rail: 35 mm wide, 15 mm deep. Only possible with BMEXBP0400/0400H/0800/0800H/1200/1200H rack.

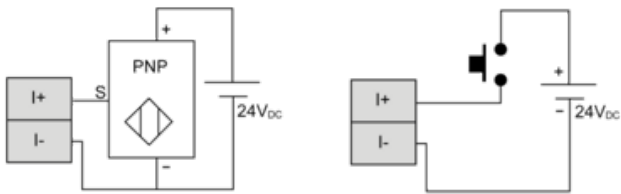
	a (in mm)	a (in in.)
BMEXBP0400 and BMEXBP0400H	242.4	09.54
BMEXBP0800 and BMEXBP0800H	372.8	14.68
BMEXBP1200 and BMEXBP1200H	503.2	19.81

Module Connection

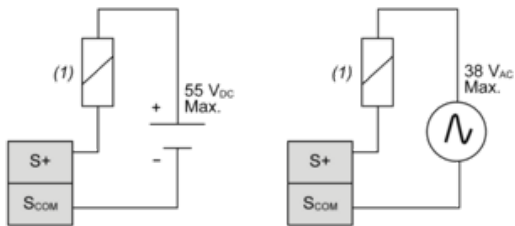
Input/Output Connections



Examples of Detector and Push-button Wiring



Examples of Output Wiring



(1) Load