

Product data sheet

Specifications

SQUARE D

Green Premium™



Mini circuit breaker, QO, 40A, 2 pole, 120/240VAC, 10kA, 6mA grd fault A, pigtail, plug in mount

QO240GFI

Product availability : Stock - Normally stocked in distribution facility

Price* : 413.00 USD

Main

Product	Miniature circuit-breaker
Range	QO
Current Rating	40 A
Voltage Rating	120/240 V AC 120 V AC
Mounting Type	Plug-in
Number of Poles	2P
Circuit Breaker Type	Ground fault protecting class A 6 mA
Ratings	Not rated
Electrical Connection	Box lugs

Complementary

Interrupt Rating	10 kA 120/240 V AC 50/60 Hz 10 kA 120 V AC 50/60 Hz
Number of Panel Spaces	2
Wire Size	AWG 12...AWG 4 aluminium AWG 14...AWG 6 copper
Tightening Torque	40.71 lbf.in (4.6 N.m) 0.00...0.02 in ² (2.5...10 mm ²) (AWG 16...AWG 14) 40.71 lbf.in (4.6 N.m) 0.01...0.03 in ² (4...20 mm ²) (AWG 12...AWG 4)
Height	4.13 in (105 mm)
Width	1.50 in (38 mm)
Depth	2.91 in (74 mm)
Net Weight	1.03 lb(US) (0.467 kg)

Environment

Certifications	UL Listed CSA
Ambient Rating	104 °F (40 °C)

Ordering and shipping details

Category	00103-QO 2 POLE GFI CB 40-60A
Discount Schedule	DE2A

* Price is "List Price" and may be subject to a trade discount – check with your local distributor or retailer for actual price.

GTIN	785901764854
Nbr. of units in pkg.	1
Package weight(Lbs)	16.47 oz (467.0 g)
Returnability	Yes
Country of origin	MX

Packing Units

Unit Type of Package 1	PCE
Package 1 Height	5.30 in (13.462 cm)
Package 1 width	3.60 in (9.144 cm)
Package 1 Length	2.20 in (5.588 cm)
Unit Type of Package 2	CAR
Number of Units in Package 2	33
Package 2 Weight	34.50 lb(US) (15.649 kg)
Package 2 Height	5.50 in (13.97 cm)
Package 2 width	13.70 in (34.798 cm)
Package 2 Length	21.20 in (53.848 cm)

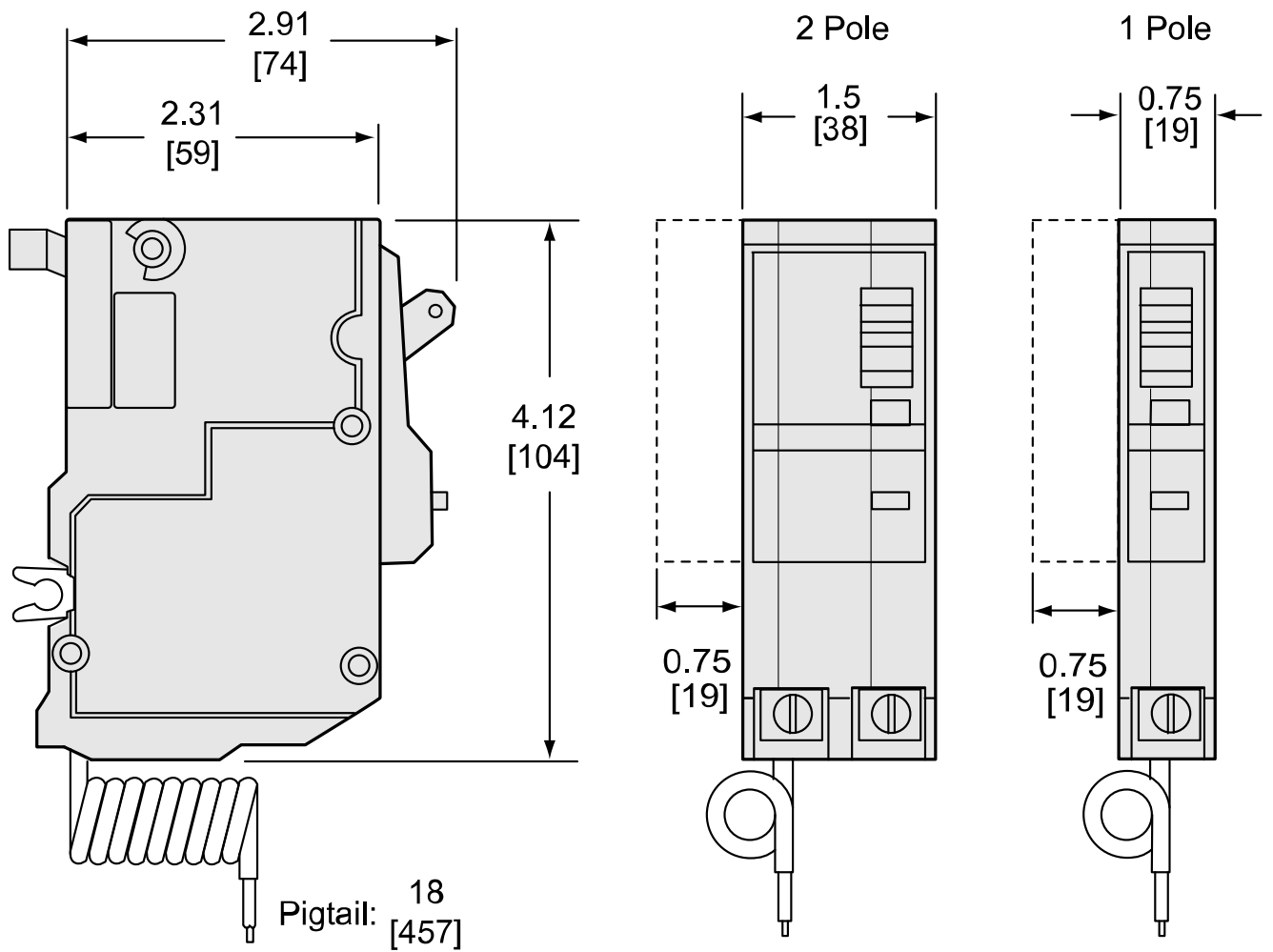
Offer Sustainability

Sustainable offer status	Green Premium product
California proposition 65	WARNING: Cancer and Reproductive Harm - www.P65Warnings.ca.gov
REACH Regulation	REACH Declaration
EU RoHS Directive	Compliant EU RoHS Declaration
Mercury free	Yes
RoHS exemption information	Yes
China RoHS Regulation	China RoHS declaration Product out of China RoHS scope. Substance declaration for your information.
Environmental Disclosure	Product Environmental Profile
Circularity Profile	End of Life Information

Contractual warranty

Warranty	18 months
----------	-----------

Dimensions



Wiring Diagram

Typical Two-Pole GFCI Wiring

