

# Product data sheet

Specifications

SQUARE D

Green Premium™



Mini circuit breaker, QO, 50A, 2 pole, 120/240VAC, 10kA, 6mA grd fault A, pigtail, plug in mount

QO250GFI

Product availability : Stock - Normally stocked in distribution facility

**Price\* : 413.00 USD**

## Main

Product	Miniature circuit-breaker
Range	QO
Current Rating	50 A
Voltage Rating	120/240 V AC 120 V AC
Mounting Type	Plug-in
Number of Poles	2P
Circuit Breaker Type	Ground fault protecting class A 6 mA
Ratings	Not rated
Electrical Connection	Box lugs

## Complementary

Interrupt Rating	10 kA 120/240 V AC 50/60 Hz 10 kA 120 V AC 50/60 Hz
Number of Panel Spaces	2
Wire Size	AWG 12...AWG 4 aluminium AWG 14...AWG 6 copper
Tightening Torque	40.71 lbf.in (4.6 N.m) 0.00...0.02 in <sup>2</sup> (2.5...10 mm <sup>2</sup> ) (AWG 16...AWG 14) 40.71 lbf.in (4.6 N.m) 0.01...0.03 in <sup>2</sup> (4...20 mm <sup>2</sup> ) (AWG 12...AWG 4)
Height	4.13 in (105 mm)
Width	1.50 in (38 mm)
Depth	2.91 in (74 mm)
Net Weight	1.00 lb(US) (0.454 kg)

## Environment

Certifications	UL Listed CSA
Ambient Rating	104 °F (40 °C)

## Ordering and shipping details

Category	00103-QO 2 POLE GFI CB 40-60A
Discount Schedule	DE2A

\* Price is "List Price" and may be subject to a trade discount – check with your local distributor or retailer for actual price.

GTIN	785901764861
Nbr. of units in pkg.	1
Package weight(Lbs)	16.67 oz (472.64 g)
Returnability	Yes
Country of origin	MX

## Packing Units

Unit Type of Package 1	PCE
Package 1 Height	3.30 in (8.382 cm)
Package 1 width	2.30 in (5.842 cm)
Package 1 Length	5.30 in (13.462 cm)
Unit Type of Package 2	CAR
Number of Units in Package 2	33
Package 2 Weight	35.21 lb(US) (15.972 kg)
Package 2 Height	5.50 in (13.97 cm)
Package 2 width	14.50 in (36.83 cm)
Package 2 Length	21.20 in (53.848 cm)

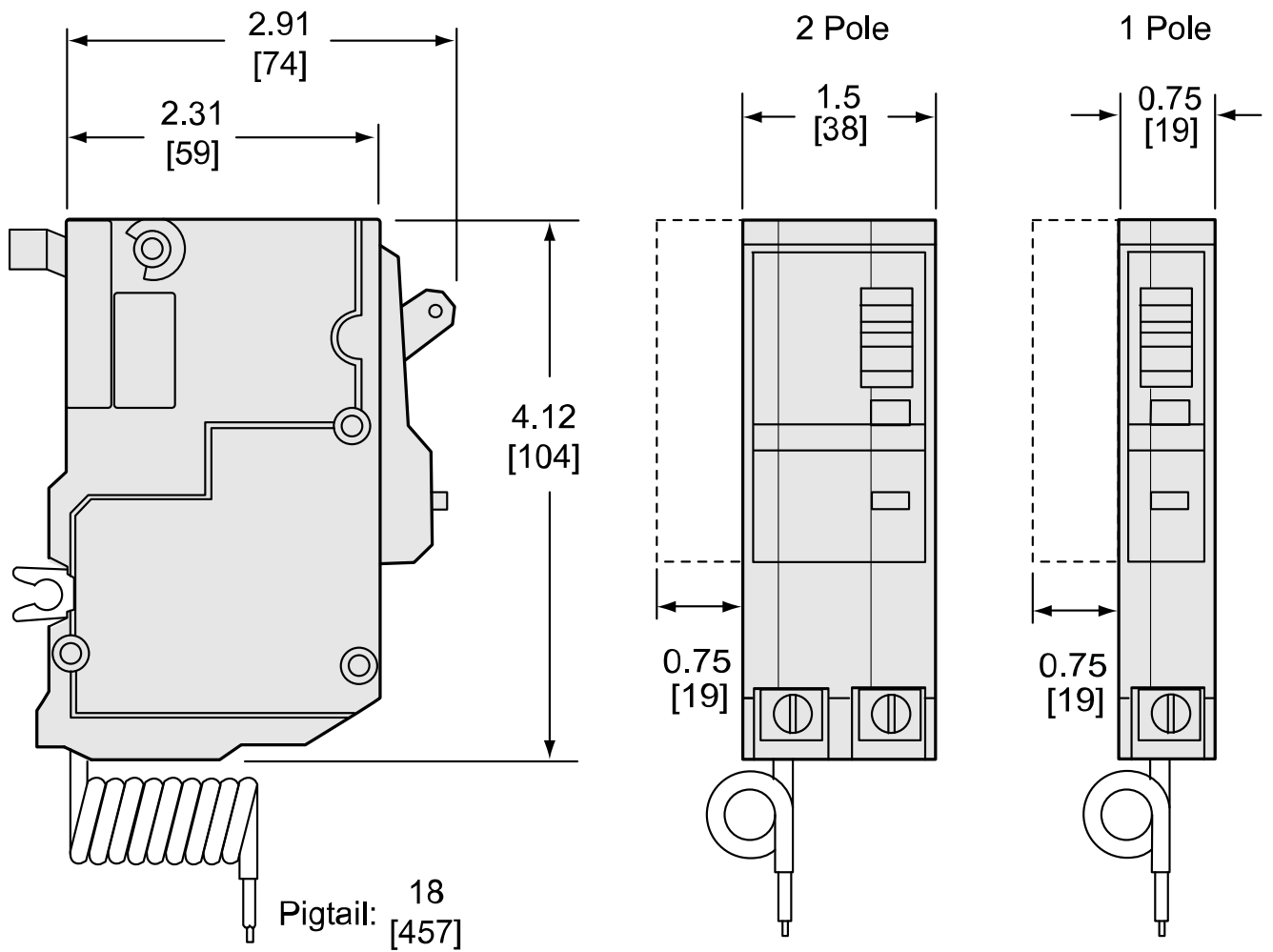
## Offer Sustainability

Sustainable offer status	Green Premium product
California proposition 65	WARNING: Cancer and Reproductive Harm - <a href="http://www.P65Warnings.ca.gov">www.P65Warnings.ca.gov</a>
REACH Regulation	<a href="#">REACH Declaration</a>
EU RoHS Directive	Compliant <a href="#">EU RoHS Declaration</a>
Mercury free	Yes
RoHS exemption information	<a href="#">Yes</a>
China RoHS Regulation	<a href="#">China RoHS declaration</a> Product out of China RoHS scope. Substance declaration for your information.
Environmental Disclosure	<a href="#">Product Environmental Profile</a>
Circularity Profile	<a href="#">End of Life Information</a>

## Contractual warranty

Warranty	18 months
----------	-----------

**Dimensions**



Wiring Diagram

Typical Two-Pole GFCI Wiring

