

# Product data sheet

Specifications

SQUARE D

Green Premium™



Mini circuit breaker, QO, 60A, 2 pole, 120/240VAC, 10kA, 6mA grd fault A, pigtail, plug in mount

QO260GFI

Product availability : Stock - Normally stocked in distribution facility

**Price\* : 413.00 USD**

## Main

Product	Miniature circuit-breaker
Range	QO
Current Rating	60 A
Voltage Rating	120/240 V AC 120 V AC
Mounting Type	Plug-in
Number of Poles	2P
Circuit Breaker Type	Ground fault protecting class A 6 mA
Ratings	Not rated
Electrical Connection	Box lugs

## Complementary

Interrupt Rating	10 kA 120/240 V AC 50/60 Hz 10 kA 120 V AC 50/60 Hz
Number of Panel Spaces	2
Wire Size	AWG 12...AWG 4 aluminium AWG 14...AWG 6 copper
Tightening Torque	40.71 lbf.in (4.6 N.m) 0.00...0.02 in <sup>2</sup> (2.5...10 mm <sup>2</sup> ) (AWG 16...AWG 14) 40.71 lbf.in (4.6 N.m) 0.01...0.03 in <sup>2</sup> (4...20 mm <sup>2</sup> ) (AWG 12...AWG 4)
Height	4.13 in (105 mm)
Width	1.50 in (38 mm)
Depth	2.91 in (74 mm)
Net Weight	0.98 lb(US) (0.445 kg)

## Environment

Certifications	UL Listed CSA
Ambient Rating	104 °F (40 °C)

## Ordering and shipping details

Category	00103-QO 2 POLE GFI CB 40-60A
Discount Schedule	DE2A

\* Price is "List Price" and may be subject to a trade discount – check with your local distributor or retailer for actual price.

<b>GTIN</b>	785901764878
<b>Nbr. of units in pkg.</b>	1
<b>Package weight(Lbs)</b>	15.68 oz (444.521 g)
<b>Returnability</b>	Yes
<b>Country of origin</b>	MX

## Packing Units

<b>Unit Type of Package 1</b>	PCE
<b>Package 1 Height</b>	2.30 in (5.842 cm)
<b>Package 1 width</b>	3.60 in (9.144 cm)
<b>Package 1 Length</b>	5.30 in (13.462 cm)

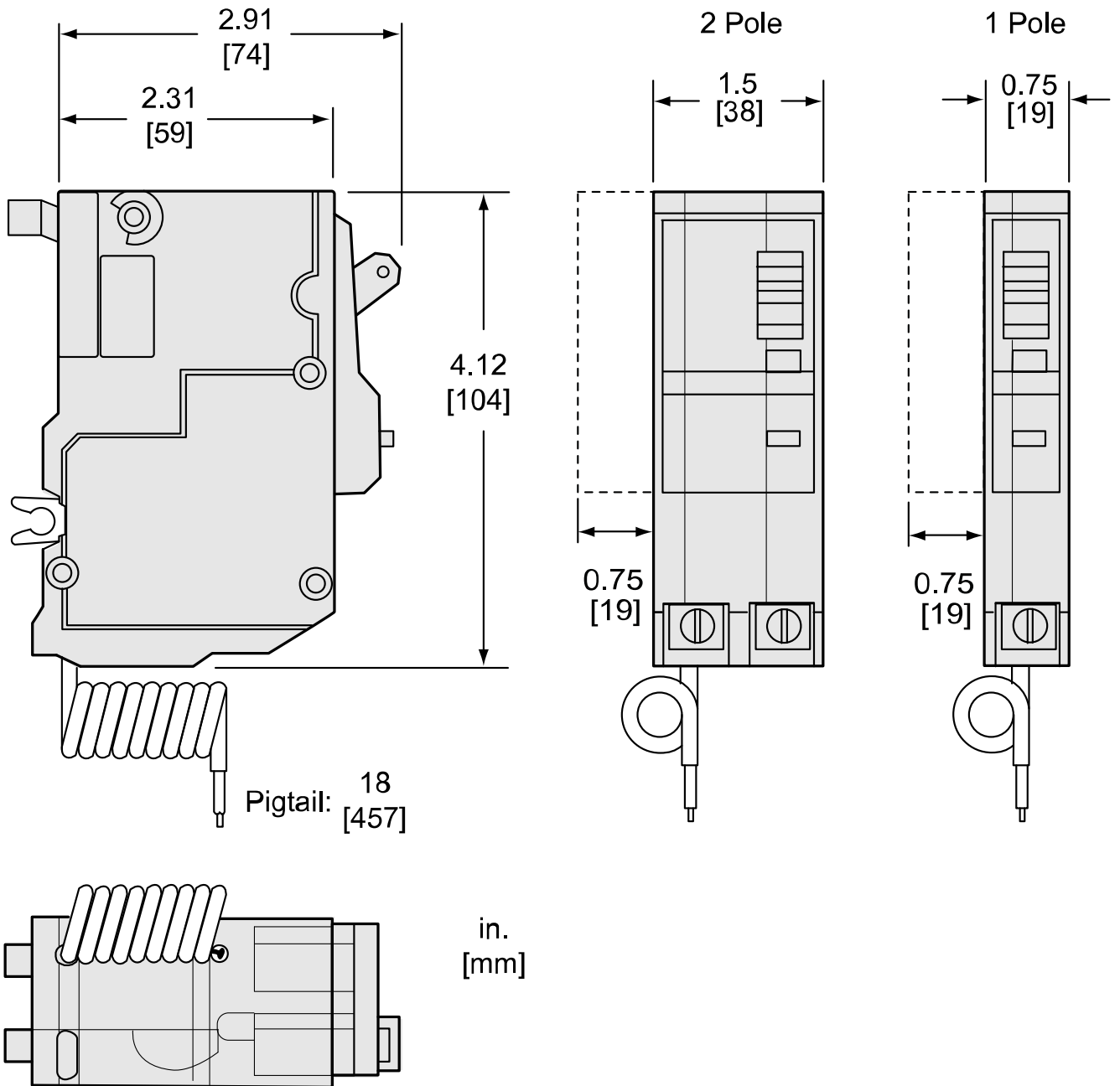
## Offer Sustainability

<b>Sustainable offer status</b>	Green Premium product
<b>California proposition 65</b>	WARNING: Cancer and Reproductive Harm - <a href="http://www.P65Warnings.ca.gov">www.P65Warnings.ca.gov</a>
<b>REACH Regulation</b>	<a href="#">REACH Declaration</a>
<b>EU RoHS Directive</b>	Compliant <a href="#">EU RoHS Declaration</a>
<b>Mercury free</b>	Yes
<b>RoHS exemption information</b>	<a href="#">Yes</a>
<b>China RoHS Regulation</b>	<a href="#">China RoHS declaration</a> Product out of China RoHS scope. Substance declaration for your information.
<b>Environmental Disclosure</b>	<a href="#">Product Environmental Profile</a>
<b>Circularity Profile</b>	<a href="#">End of Life Information</a>

## Contractual warranty

<b>Warranty</b>	18 months
-----------------	-----------

**Dimensions**



Wiring Diagram

Typical Two-Pole GFCI Wiring

