

Product data sheet

Specifications



Load center accessory, QO,
mounting base, 3 phase, 24 spaces,
200A main lugs, OEM

QON324L200

Product availability : Stock - Normally stocked in distribution facility

Price* : 402.00 USD

Main

Product Type	Mounting base
Marketing Trade Name	QO
Load Center Type	Main lugs
Rated Current	200 A
Number of Spaces	24
Max Short Circuit Current Rating	10 kA
Number of Phases	3 phase
Voltage Rating	120/240 V AC

Complementary

Wire Size	AWG 4...300 kcmil aluminium/copper
Wiring Configuration	3-wire
Product Certifications	CSA UL Listed
Height	12.52 in (318 mm)
Width	7.95 in (202 mm)
Depth	3.03 in (77 mm)
Net Weight	3.22 lb(US) (1.461 kg)

Ordering and shipping details

Category	00909-MOUNTING BASES, S/N
Discount Schedule	DE3A
GTIN	785901851080
Nbr. of units in pkg.	1
Package weight(Lbs)	3.03 lb(US) (1.374 kg)
Returnability	Yes
Country of origin	US

* Price is "List Price" and may be subject to a trade discount – check with your local distributor or retailer for actual price.

Packing Units

Unit Type of Package 1	PCE
Package 1 Height	4.30 in (10.922 cm)
Package 1 width	13.00 in (33.02 cm)
Package 1 Length	13.80 in (35.052 cm)

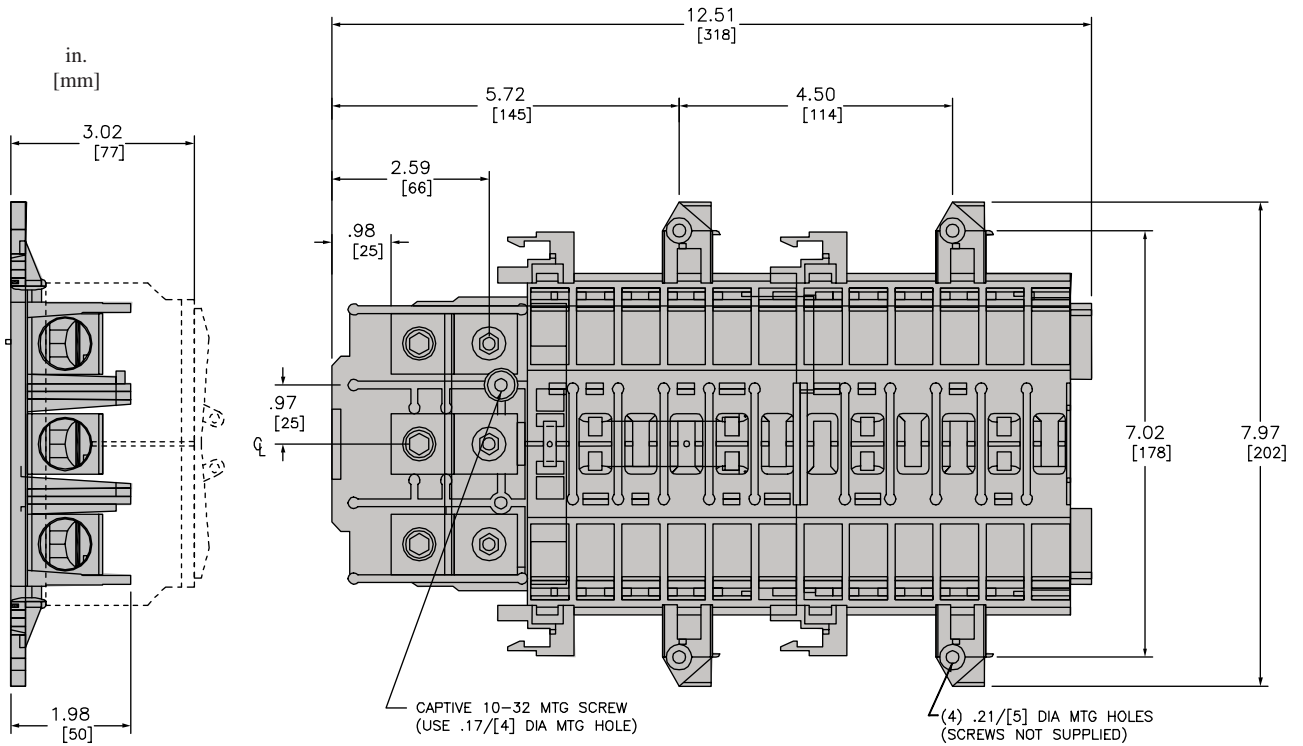
Offer Sustainability

Sustainable offer status	Green Premium product
California proposition 65	WARNING: This product can expose you to chemicals including: Lead and lead compounds, which is known to the State of California to cause cancer and birth defects or other reproductive harm. For more information go to www.P65Warnings.ca.gov
REACH Regulation	REACH Declaration
REACH free of SVHC	Yes
EU RoHS Directive	Compliant EU RoHS Declaration
Toxic heavy metal free	Yes
Mercury free	Yes
RoHS exemption information	Yes
China RoHS Regulation	China RoHS declaration Pro-active China RoHS declaration (out of China RoHS legal scope)
Environmental Disclosure	Product Environmental Profile

Contractual warranty

Warranty	18 months
----------	-----------

Dimensions



ALL DIMENSIONS ARE APPROXIMATE.
 ALSO REFER TO CAD, TECHNICAL DRAWINGS, AND TECHNICAL DOCUMENTATION.

Wiring Diagram

