
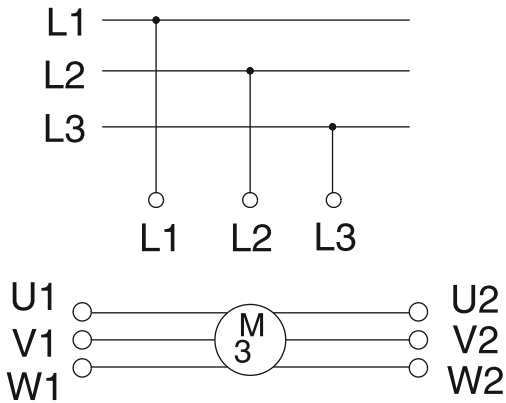
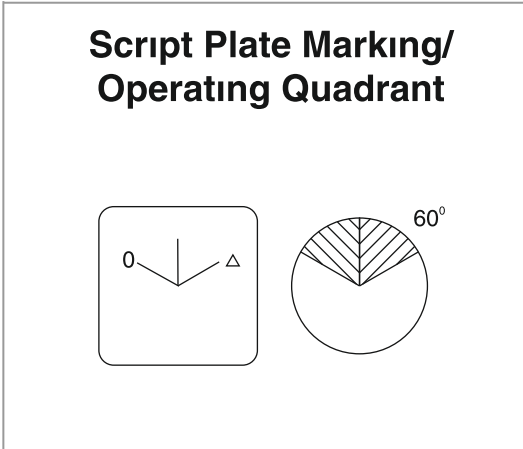


FICHA TECNICA

Producto	:	Conmutador Estrella Triangulo
Marca	:	Salzer
Modelo	:	S32-61200
Amps	:	32A
Polos	:	3
Certificac.	:	



AC Rating Code	Unit	S32 RT32
Rated Operational Voltage(Ue)	V	690
Rated frequency	Hz	50/60
Rated impulse withstand Voltage(Uimp)	Kv	6
Rated Operational Current(Ie) AC21/AC1	A	32
Rated Uninterrupted Current (Ith)	A	40
Rated Operational Power		
AC23A "3 Ph , 415 V"	KW	15
	A	26
AC3	KW	11
"3 Ph , 415 V"	A	19
Short Circuit Capacity		
Rated Fuse Short Circuit Current	KA	10
Fuse Size (Type gG/gM)	A	32
Terminal Cross Section		
Single / Multiple	min	mm ² 2.5
	max	mm ² 6
Fine strand	min	mm ² 1.5
	max	mm ² 4
Terminal Cross Section	Metric	M4
Terminal Tightening Torque	Nm	1.2



CSA/UL Ratings

AC Rating Code	Unit	S32 RT32
Ampere Rating	A	30
Operational Voltage	V	600
HP Rating 1 Phase 120V	HP	1.5
240V	HP	3
3 Phase 120V	HP	3
240V	HP	7.5
480V	HP	10
600V	HP	15

