

# Product data sheet

Specifications



## I/O distributed module, Modicon TM3, IP20 Optimized Bus Coupler Ethernet Interface

TM3BCEIP

### Main

Range of product	Modicon TM3
Product compatibility	Logic controller Motion controller
Product or component type	I/O distributed module
Product specific application	Bus coupler module

### Complementary

Communication port protocol	Ethernet IP/Modbus TCP
Connector type	RJ45 2 Ethernet daisy chain isolated USB device port Mini-B
Exchange mode	Half duplex, full duplex, autonegotiation
Transmission rate	10/100 Mbit/s
Topology	Daisy chain
Port Ethernet	10/100BASE-T
Communication network type	Ethernet IP Modbus TCP IPv4 (internet protocol)
Communication service	Ethernet/IP adapter Modbus TCP/IP server RSTP (Ring topology support) SNMP Web server DHCP client BOOTP Address conflict detection FTP server
Web services	Web server, Ethernet Web server, USB
Current consumption	0.8 A at 24 V DC internal supply maximum 7 expansion modules
Local signalling	1 LED green/red for PWR (System Status) 1 LED green/red for MS (Module Status) 1 LED green/red for NS (Network Status) 1 LED green/red for I/O status
Fixing mode	By clipping locks (rail) By screws (mounting plate)
Width	27 mm
Height	96.5 mm
Depth	70 mm

Net weight	0.10 kg
------------	---------

## Environment

Ambient air temperature for storage	-25...70 °C
Pollution degree	2
Ambient air temperature for operation	-10...60 °C
IP degree of protection	IP20 conforming to IEC/EN 61010-2-201
Relative humidity	10...95 % non-condensing
Operating altitude	0...2000 m
Storage altitude	0...3000 m
Vibration resistance	3M4 on 35 x 15 mm symmetrical DIN rail

## Packing Units

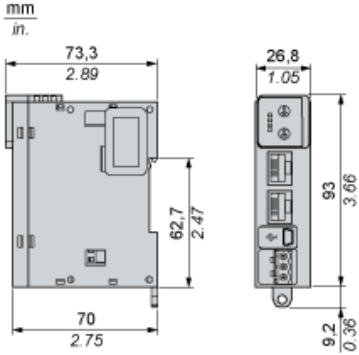
Unit Type of Package 1	PCE
Number of Units in Package 1	1
Package 1 Weight	172.0 g
Package 1 Height	7.4 cm
Package 1 width	10.4 cm
Package 1 Length	12.4 cm
Unit Type of Package 2	S03
Number of Units in Package 2	18
Package 2 Weight	3.75 kg
Package 2 Height	30.0 cm
Package 2 width	30.0 cm
Package 2 Length	40.0 cm

## Offer Sustainability

Sustainable offer status	Green Premium product
REACH Regulation	<a href="#">REACH Declaration</a>
EU RoHS Directive	Pro-active compliance (Product out of EU RoHS legal scope) <a href="#">EU RoHS Declaration</a>
Mercury free	Yes
RoHS exemption information	<a href="#">Yes</a>
China RoHS Regulation	<a href="#">China RoHS declaration</a>
Environmental Disclosure	<a href="#">Product Environmental Profile</a>
Circularity Profile	<a href="#">End of Life Information</a>
PVC free	Yes
California proposition 65	WARNING: This product can expose you to chemicals including: Lead and lead compounds, which is known to the State of California to cause cancer and birth defects or other reproductive harm. For more information go to <a href="http://www.P65Warnings.ca.gov">www.P65Warnings.ca.gov</a>

Dimensions

Side and Front Views



## Spacing Requirements

---

