

Product data sheet

Specifications



Parallel interface module, Modicon TM3, 4 Tesys motors

TM3XTYS4

Product availability : Stock - Normally stocked in distribution facility

Price* : 129.00 USD

Main

Range of Product	Modicon TM3
Product or Component Type	Parallel interface module
Product Specific Application	TeSys U
Range Compatibility	Modicon M221 Modicon M251 Modicon M241 Modicon M262
[Us] rated supply voltage	24 V DC external supply - 15...20 %)
Number of input channels	12
Number of output channels	8

Complementary

Current consumption	5 mA 5 V DC via bus connector at state on 35 mA 5 V DC via bus connector at state off 0 mA 24 V DC via bus connector at state on 10 mA 24 V DC via bus connector at state off 1200 mA 24 V DC external power supply at state on
Input voltage limits	19.2...28.8 V per input
Input current limits	5 mA per input
Response time	< 10 ms turn-on input < 10 ms turn-off input
Output voltage	24 V DC transistor output
Maximum load current	800 mA per channel starting mode 100 ms 300 mA per channel normal mode
Insulation	Between the RJ45 connectors and internal logic 500 V AC Non-insulated between RJ45 connectors
Output protection type	Against overload current limiter
Reset	Automatic reset
Local signalling	3 LEDs green per channel input status 2 LEDs green per channel output status
Electrical connection	3 x 2.5 mm ² removable screw terminal block pitch 5.08 mm for connecting the 24 V DC power supply 4 RJ45 connectors for connecting the motor starters
Mounting support	Top hat type TH35-15 rail IEC 60715 Top hat type TH35-7.5 rail IEC 60715 plate or panel with fixing kit
Height	3.54 in (90 mm)

* Price is "List Price" and may be subject to a trade discount – check with your local distributor or retailer for actual price.

Depth	3.35 in (85 mm)
Width	1.18 in (30 mm)
Net Weight	0.25 lb(US) (0.115 kg)

Environment

Product Certifications	C-tick cULus
Marking	CE
Resistance to electrostatic discharge	8 kV in air EN/IEC 61000-4-2 4 kV on contact EN/IEC 61000-4-2
Resistance to electromagnetic fields	9.14 V/m (10 V/m) 80 MHz...1 GHz EN/IEC 61000-4-3 2.74 V/m (3 V/m) 1.4 GHz...2 GHz EN/IEC 61000-4-3 0.91 V/m (1 V/m) 2 GHz...3 GHz EN/IEC 61000-4-3
Resistance to magnetic fields	98.43 A/m (30 A/m) 50/60 Hz EN/IEC 61000-4-8
Resistance to fast transients	1 kV input EN/IEC 61000-4-4 1 kV output EN/IEC 61000-4-4
Surge withstand	1 kV input common mode EN/IEC 61000-4-5 1 kV output common mode EN/IEC 61000-4-5
Resistance to conducted disturbances	10 V 0.15...80 MHz EN/IEC 61000-4-6 3 V spot frequency (2, 3, 4, 6.2, 8.2, 12.6, 16.5, 18.8, 22, 25 MHz) Marine specification (LR, ABS, DNV, GL)
Electromagnetic emission	Radiated emissions 40 dB μ V/m QP class A 10 m)30...230 MHz EN/IEC 55011 Radiated emissions 47 dB μ V/m QP class A 10 m)230...1000 MHz EN/IEC 55011
Ambient Air Temperature for Operation	14...95 °F (-10...35 °C) vertical installation 14...131 °F (-10...55 °C) horizontal installation
Ambient Air Temperature for Storage	-13...158 °F (-25...70 °C)
Relative humidity	10...95 %, without condensation in operation) 10...95 %, without condensation in storage)
IP degree of protection	IP20 with protective cover in place
Pollution degree	2
Operating altitude	0...6561.68 ft (0...2000 m)
Storage altitude	0.00...9842.52 ft (0...3000 m)
Vibration resistance	3.5 mm 5...8.4 Hz DIN rail 3 gn 8.4...150 Hz DIN rail 3.5 mm 5...8.4 Hz panel 3 gn 8.4...150 Hz panel
Shock resistance	15 gn 11 ms

Ordering and shipping details

Category	22533-M2XX PLC & ACCESSORIES
Discount Schedule	MSX
GTIN	3606480611636
Nbr. of units in pkg.	1
Package weight(Lbs)	7.76 oz (220.0 g)
Returnability	Yes
Country of origin	TW

Packing Units

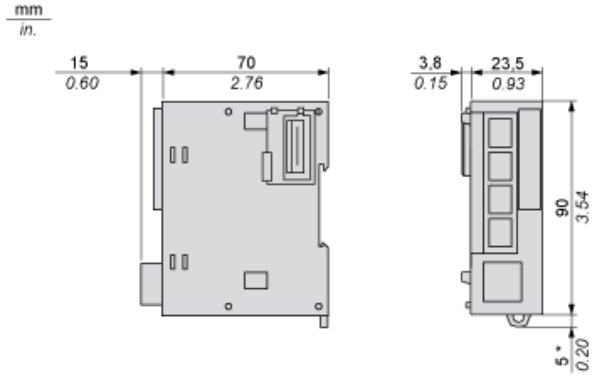
Unit Type of Package 1	PCE
Package 1 Height	2.95 in (7.5 cm)
Package 1 width	4.13 in (10.5 cm)

Package 1 Length	4.92 in (12.5 cm)
Unit Type of Package 2	S04
Number of Units in Package 2	42
Package 2 Weight	20.86 lb(US) (9.462 kg)
Package 2 Height	11.81 in (30.0 cm)
Package 2 width	15.75 in (40.0 cm)
Package 2 Length	23.62 in (60.0 cm)

Offer Sustainability

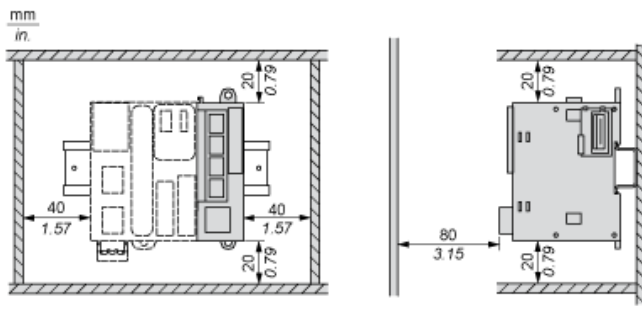
Sustainable offer status	Green Premium product
California proposition 65	WARNING: This product can expose you to chemicals including: Lead and lead compounds, which is known to the State of California to cause cancer and birth defects or other reproductive harm. For more information go to www.P65Warnings.ca.gov
REACH Regulation	REACH Declaration
EU RoHS Directive	Pro-active compliance (Product out of EU RoHS legal scope) EU RoHS Declaration
Toxic heavy metal free	Yes
Mercury free	Yes
RoHS exemption information	Yes
China RoHS Regulation	China RoHS declaration
Environmental Disclosure	Product Environmental Profile
Circularity Profile	End of Life Information
WEEE	The product must be disposed on European Union markets following specific waste collection and never end up in rubbish bins.
PVC free	Yes

Dimensions

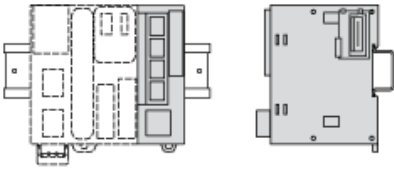


(*) 8.5 mm/0.33 in when the clamp is pulled out.

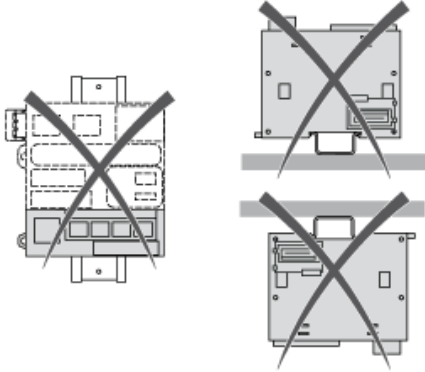
Spacing Requirements



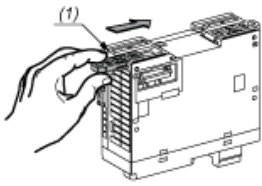
Mounting on a Rail



Incorrect Mounting



Mounting on a Panel Surface



(1) Install a mounting strip

Mounting Hole Layout

