

Product data sheet

Specifications



Harmony XB5, Panel mounted USB 3.0 port, plastic, Ø22, for USB interface jack type A

XB5PUSB3

Product availability : Stock - Normally stocked in distribution facility

Price* : 38.66 USD

Main

Range of Product	Harmony XB5
Product or Component Type	Panel mounted USB port
Device short name	XB5P

Complementary

Sale per indivisible quantity	1
Mounting diameter	0.87 in (22 mm)
Thickness	0.24 in (6 mm) without protection cover 0.06...0.20 in (1.5...5 mm) with protection cover plastic 0.06...0.20 in (1.5...5 mm) with protection cover rigid plastic 0.06...0.10 in (1.5...2.5 mm) with protection cover metal
Bezel material	Plastic
Fixing collar material	Plastic
Integrated connection type	USB 3.0 type A
Minimum number of matings	1500 cycles
IP degree of protection	Front IP20 IEC 60529 Back IP20 IEC 60529
Ambient air temperature for operation	-40...158 °F (-40...70 °C)
Ambient Air Temperature for Storage	-40...158 °F (-40...70 °C)
Tightening torque	13.28 lbf.in (1.5 N.m)
Vibration resistance	5.35 gn15 min per axis
Shock resistance	30 gn 11 ms 3 chocks in each direction X, Y and Z
Standards	USB 3.0
Product Certifications	CSA UL Listed
Height	1.10 in (28 mm)
Width	1.10 in (28 mm)
Depth	1.73 in (44 mm)
Net Weight	0.04 lb(US) (0.0169 kg)

* Price is "List Price" and may be subject to a trade discount – check with your local distributor or retailer for actual price.

Ordering and shipping details

Category	00028-DATA PORTS
Discount Schedule	CS2
GTIN	3606481194206
Nbr. of units in pkg.	1
Package weight(Lbs)	0.56 oz (16.0 g)
Returnability	Yes
Country of origin	DE

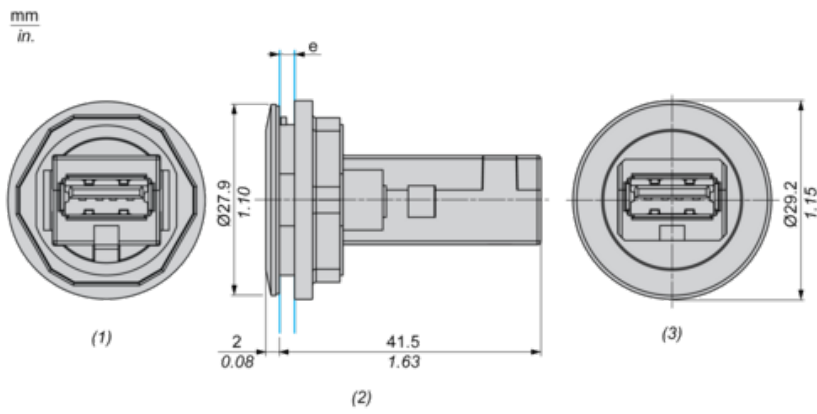
Packing Units

Unit Type of Package 1	PCE
Package 1 Height	1.26 in (3.2 cm)
Package 1 width	1.97 in (5.0 cm)
Package 1 Length	3.39 in (8.6 cm)
Unit Type of Package 2	S02
Number of Units in Package 2	100
Package 2 Weight	4.26 lb(US) (1.932 kg)
Package 2 Height	5.91 in (15.0 cm)
Package 2 width	11.81 in (30.0 cm)
Package 2 Length	15.75 in (40.0 cm)

Offer Sustainability

California proposition 65	WARNING: This product can expose you to chemicals including: Lead and lead compounds, which is known to the State of California to cause cancer and birth defects or other reproductive harm. For more information go to www.P65Warnings.ca.gov
EU RoHS Directive	Pro-active compliance (Product out of EU RoHS legal scope) EU RoHS Declaration
Toxic heavy metal free	Yes
Mercury free	Yes
RoHS exemption information	Yes
China RoHS Regulation	China RoHS declaration
Environmental Disclosure	Product Environmental Profile
Circularity Profile	End of Life Information
WEEE	The product must be disposed on European Union markets following specific waste collection and never end up in rubbish bins.

Dimensions

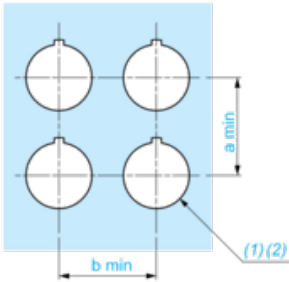


- (1) Rear view
- (2) Side view
- (3) Front view
- (e)

	<p>Clamping thickness without accessory: 1.5 mm to 5 mm / 0.05 in to 0.19 in</p> <p>Clamping thickness with ZBSP1 & ZBSP2: 1.5 mm to 5 mm / 0.05 in to 0.19 in</p> <p>Clamping thickness with ZBSP3: 1.5 mm to 2.5 mm / 0.05 in to 0.10 in</p>
--	--

Panel Cut-out for Panel Mounted USB Port

Connection by Screw Clamp Terminals or Plug-in Connectors

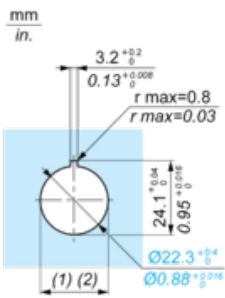


(1) Diameter on finished panel or support

(2) Ø22.5 mm recommended (Ø22.3 0+0.4) / Ø0.89 in. recommended (Ø0.88 in. 0+0.016)

Connections	a in mm	a in in.	b in mm	b in in.
By screw clamp terminal or plug-in connector	35	1.38	35	1.38

Panel Cut-out



(1) Diameter on finished panel or support

(2) Ø22.5 mm recommended (Ø22.3 0+0.4) / Ø0.89 in. recommended (Ø0.88 in. 0+0.016)