

Product data sheet

Specifications



Pressure sensors XM, pressure switch XMA 12 bar, adjustable scale 2 thresholds, 1 C/O

XMAV12L2135

Main

| | |
|---|---|
| Range of product | OsiSense XM |
| Pressure sensor type | Electromechanical pressure sensor |
| Pressure sensor name | XMA |
| Pressure rating | 12 bar |
| Contacts type and composition | 1 C/O snap action |
| Controlled fluid | Air (0...55 °C) Fresh water (0...55 °C) Sea water (0...55 °C) |
| Fluid connection type | G 1/4 (female) conforming to ISO 228 |
| Cable entry | 2 entries tapped for Pg 13.5 cable gland conforming to NF C 68-300 |
| Electrical connection | Screw-clamp terminals, clamping capacity: 1 x 1...2 x 2.5 mm ² |
| Electrical circuit type | Control circuit |
| [In] rated current | 3 A (Ue = 120 V), AC-15, B300 1.5 A (Ue = 240 V), AC-15, B300 0.1 A (Ue = 250 V), DC-13, R300 |
| Setting | External |
| Colour of cover | Transparent |
| Pressure switch type of operation | Regulation between 2 thresholds |
| Scale type | Fixed differential |
| Local display | Without |
| Enclosure material | PC impregnated with Lexan 123 |
| Adjustable range of switching point on rising pressure | 1.3...12 bar |
| Adjustable range of switching point on falling pressure | 0.3...10.3 bar |
| Pressure actuator | Diaphragm |
| Possible differential minimum at high setting | 1.7 bar |
| Possible differential minimum at low setting | 1 bar |
| Destruction pressure | 30 bar |
| Materials in contact with fluid | Chromated zinc alloy Canvas covered nitrile |

| | |
|---|--------|
| Maximum permissible accidental pressure | 27 bar |
|---|--------|

Complementary

| | |
|--|--|
| Height | 113 mm |
| Width | 57 mm |
| Depth | 97.5 mm |
| Operating position | Any position |
| Maximum permissible pressure - per cycle | 15 bar |
| Short-circuit protection | 10 A cartridge fuse, type gG (gl) |
| Maximum operating rate | 10 cyc/mn |
| [Ui] rated insulation voltage | 500 V conforming to EN/IEC 60947-1 |
| [Uimp] rated impulse withstand voltage | 6 kV conforming to EN/IEC 60947-1 |
| Electrical durability | 1000000 cycles, 50/60 Hz, AC-15, 240 V / 3 A, I _{th} = 10 A |
| Mechanical durability | 1000000 cycles |
| Repeat accuracy | 3.5 % |
| Net weight | 0.43 kg |

Environment

| | |
|---------------------------------------|---------------------------------|
| Standards | CE EN/IEC 60947-5-1 |
| Product certifications | CCC UL CSA |
| Ambient air temperature for operation | -25...55 °C |
| Ambient air temperature for storage | -40...70 °C |
| Protective treatment | TC |
| Electrical shock protection class | Class I conforming to IEC 536 |
| IP degree of protection | IP54 conforming to EN/IEC 60529 |

Packing Units

| | |
|------------------------------|---------|
| Unit Type of Package 1 | PCE |
| Number of Units in Package 1 | 1 |
| Package 1 Weight | 512.0 g |
| Package 1 Height | 6.1 cm |
| Package 1 width | 16.7 cm |
| Package 1 Length | 11.3 cm |
| Unit Type of Package 2 | S06 |
| Number of Units in Package 2 | 100 |
| Package 2 Weight | 64.4 kg |
| Package 2 Height | 74.0 cm |
| Package 2 width | 60.0 cm |
| Package 2 Length | 80.0 cm |

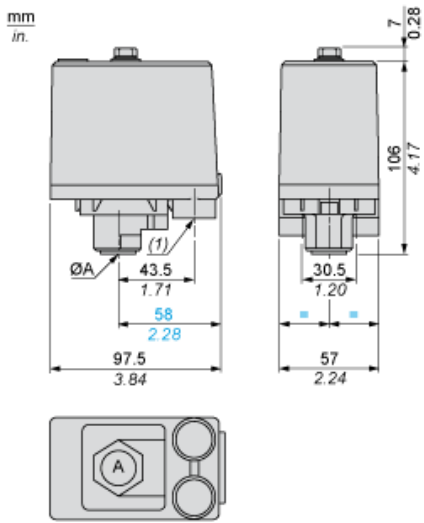
Offer Sustainability

| | |
|-----------------------------------|---|
| Sustainable offer status | Green Premium product |
| REACH Regulation | REACH Declaration |
| EU RoHS Directive | Pro-active compliance (Product out of EU RoHS legal scope) EU RoHS Declaration |
| Mercury free | Yes |
| RoHS exemption information | Yes |
| Environmental Disclosure | Product Environmental Profile |
| California proposition 65 | WARNING: This product can expose you to chemicals including: Diisononyl phthalate (DINP), which is known to the State of California to cause cancer, and Di-isodecyl phthalate (DIDP), which is known to the State of California to cause birth defects or other reproductive harm. For more information go to www.P65Warnings.ca.gov |

Contractual warranty

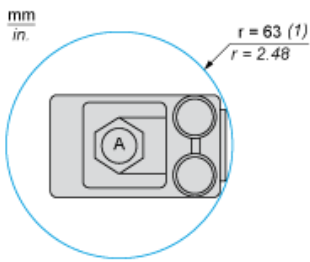
| | |
|-----------------|-----------|
| Warranty | 18 months |
|-----------------|-----------|

Dimensions



- (A) G 1/4 (female)
- (1) 2 tapped entries PG 13.5

Minimum Mounting Clearance



- (ØA) G 1/4 (female)
- (1) Minimum clearance zone for screwing-on pressure switch at point A

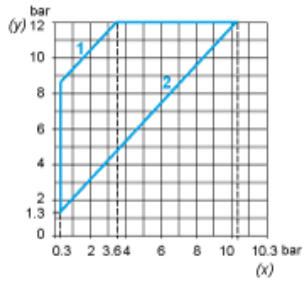
Wiring Diagram

Connections

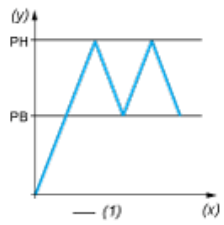


Curves

Operating Curves



- (y) Rising pressure
- (x) Falling pressure
- 1 : Maximum differential
- 2 : Minimum differential



- (y) Pressure
- (x) Time
- (1) Adjustable value