

# Product data sheet

Specifications



## pressure switch XMLB 20 bar - adjustable scale 2 thresholds - 1 C/O

XMLB020A2S11

### Main

Range of product	Telemecanique Pressure sensors XM
Product or component type	Electromechanical pressure sensor
Pressure sensor type	Electromechanical pressure sensor
Device short name	XMLB
Pressure rating	20 bar
Controlled fluid	Air (0...70 °C) Fresh water (0...70 °C) Hydraulic oil (0...70 °C)
Fluid connection type	G 1/4 (female) conforming to ISO 228
Electrical connection	Screw-clamps terminals, 1 x 0.5...2 x 2.5 mm <sup>2</sup> 1 connector Pg 13
AWG gauge	AWG 20...AWG 14
Cable entry	Cable gland 9...13 mm
Contacts type and composition	1 C/O
Product specific application	-
Pressure switch type of operation	Regulation between 2 thresholds
Electrical circuit type	Control circuit
Scale type	Adjustable differential
Local display	With
Adjustable range of switching point on rising pressure	1.3...20 bar
Adjustable range of switching point on falling pressure	0.3...18.4 bar
Possible differential maximum at high setting	11 bar
Maximum permissible accidental pressure	45 bar
Destruction pressure	90 bar
Pressure actuator	Diaphragm
Materials in contact with fluid	Brass Zinc alloy Nitrile
Enclosure material	Zinc alloy

<b>[In] rated current</b>	3 A, B300, AC-15 (Ue = 120 V) conforming to EN/IEC 60947-5-1 1.5 A, B300, AC-15 (Ue = 240 V) conforming to EN/IEC 60947-5-1 0.1 A, R300, DC-13 (Ue = 250 V) conforming to EN/IEC 60947-5-1
---------------------------	--

## Complementary

<b>Possible differential minimum at low setting</b>	1 bar (+/- 0.25 bar)
<b>Possible differential minimum at high setting</b>	1.6 bar (+/- 0.25 bar)
<b>Maximum permissible pressure - per cycle</b>	25 bar
<b>Terminal block type</b>	4 terminals
<b>Maximum operating rate</b>	120 cyc/mn
<b>Repeat accuracy</b>	2 %
<b>[Ui] rated insulation voltage</b>	300 V conforming to UL 508 500 V conforming to EN/IEC 60947-1 300 V conforming to CSA C22.2 No 14
<b>[Uimp] rated impulse withstand voltage</b>	6 kV conforming to EN/IEC 60947-1
<b>Auxiliary contacts operation</b>	Snap action
<b>Contacts material</b>	Silver contacts
<b>Maximum resistance across terminals</b>	25 mOhm conforming to IEC 255-7 category 3 25 mOhm conforming to NF C 93-050 method A
<b>Short-circuit protection</b>	10 A cartridge fuse, type gG (gl)
<b>Mechanical durability</b>	5000000 cycles
<b>Setting</b>	External
<b>Height</b>	113 mm
<b>Depth</b>	75 mm
<b>Width</b>	35 mm
<b>Net weight</b>	0.705 kg

## Environment

<b>Standards</b>	UL 508 EN/IEC 60947-5-1 CE CSA C22.2 No 14
<b>Product certifications</b>	UL LROS (Lloyds register of shipping) EAC BV CCC CSA
<b>Protective treatment</b>	TC standard version
<b>Ambient air temperature for operation</b>	-25...70 °C
<b>Ambient air temperature for storage</b>	-40...70 °C
<b>Operating position</b>	Any position
<b>Vibration resistance</b>	4 gn conforming to IEC 60068-2-6 (f = 30...500 Hz)
<b>Shock resistance</b>	50 gn conforming to IEC 60068-2-27
<b>Electrical shock protection class</b>	Class I conforming to IEC 1140 Class I conforming to IEC 536 Class I conforming to NF C 20-030
<b>IP degree of protection</b>	IP66 conforming to EN/IEC 60529

## Packing Units

Unit Type of Package 1	PCE
Number of Units in Package 1	1
Package 1 Weight	729.0 g
Package 1 Height	4.0 cm
Package 1 width	8.6 cm
Package 1 Length	12.2 cm
Unit Type of Package 2	S02
Number of Units in Package 2	13
Package 2 Weight	10.101 kg
Package 2 Height	15.0 cm
Package 2 width	30.0 cm
Package 2 Length	40.0 cm

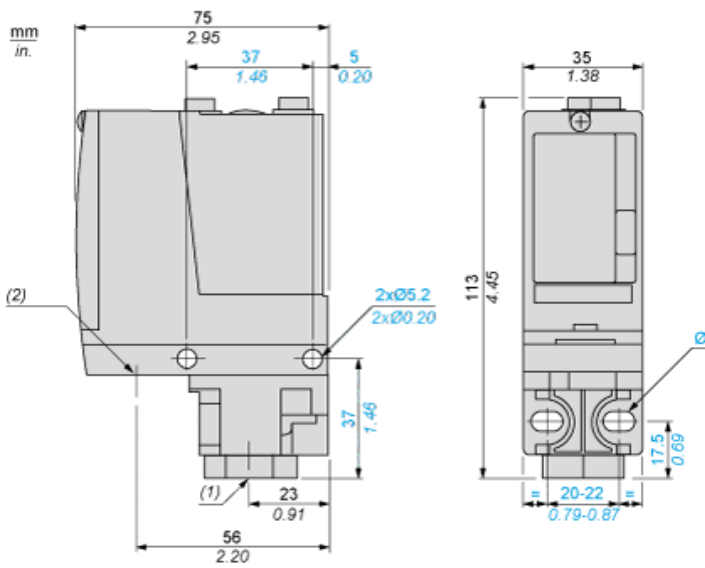
## Offer Sustainability

Sustainable offer status	Green Premium product
REACH Regulation	<a href="#">REACH Declaration</a>
EU RoHS Directive	Pro-active compliance (Product out of EU RoHS legal scope) <a href="#">EU RoHS Declaration</a>
Mercury free	Yes
RoHS exemption information	<a href="#">Yes</a>
Environmental Disclosure	<a href="#">Product Environmental Profile</a>
California proposition 65	WARNING: This product can expose you to chemicals including: Diisononyl phthalate (DINP), which is known to the State of California to cause cancer, and Di-isodecyl phthalate (DIDP), which is known to the State of California to cause birth defects or other reproductive harm. For more information go to <a href="http://www.P65Warnings.ca.gov">www.P65Warnings.ca.gov</a>

## Contractual warranty

Warranty	18 months
----------	-----------

**Dimensions**

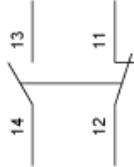


- (1) 1 fluid entry, tapped G1/4 (BSP female)
- (2) 1 electrical connections entry, tapped Pg 13.5
- Ø : 2 elongated holes Ø 5.2 x 6.7

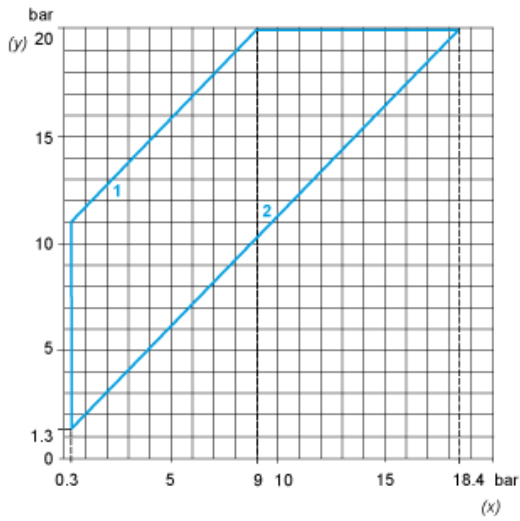
**Wiring Diagram**

---

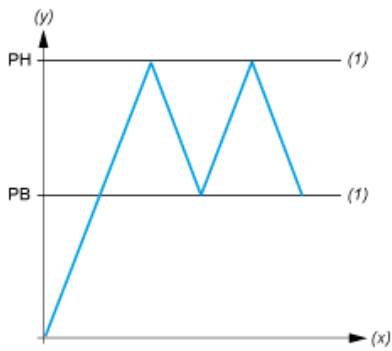
**Terminal Model**



**Operating Curves**



- (y) Rising pressure
- (x) Falling pressure
- 1 : Maximum differential
- 2 : Minimum differential



- (y) Pressure
- (x) Time
- (t) Adjustable value
- PH : High point
- PB : Below point