

Product data sheet

Specifications



Monolithic tower lights, Harmony XVG, 60mm, red green, steady light, buzzer, aluminium tube mounting and fixing plate, IP42, 24V AC/DC

XVGB2SH

Main

Range of product	Harmony XVG
Product or component type	Complete pre-wired monolithic tower light
Beacon or indicator bank unit type	2 illuminated units
Material	PC (UL94 V-2): globe ABS (UL94HB): tube body Aluminium: tube
Mounting diameter	60 mm
Component name	XVG
Device mounting	Tube mounting with fixing plate
Light source	LED steady red LED steady green
Light block color	Red/green
Indicator bank base type	Base with integrated buzzer

Complementary

Rated supply voltage	24 V AC/DC
Cable cross section	0.33 mm ²
Discrete output type	PNP and NPN
[Uimp] rated impulse withstand voltage	0.5 kV
Current consumption	140 mA
Noise level	85 dB
Power consumption in W	3.1 W
Fundamental frequency	2.64 kHz
Net weight	0.33 kg

Environment

Product certifications	CE EAC
Ambient air temperature for storage	-35...70 °C

Ambient air temperature for operation	-10...50 °C
IP degree of protection	IP42

Packing Units

Unit Type of Package 1	PCE
Number of Units in Package 1	1
Package 1 Weight	532.0 g
Package 1 Height	8.3 cm
Package 1 width	14.1 cm
Package 1 Length	53.0 cm
Unit Type of Package 2	S06
Number of Units in Package 2	30
Package 2 Weight	25.0 kg
Package 2 Height	73.5 cm
Package 2 width	60.0 cm
Package 2 Length	80.0 cm

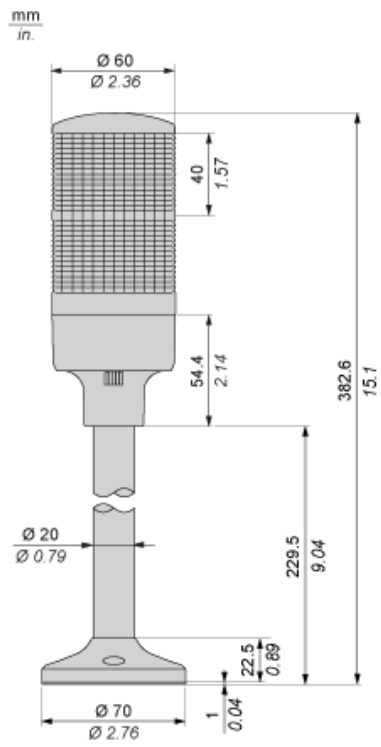
Offer Sustainability

Sustainable offer status	Green Premium product
REACH Regulation	REACH Declaration
REACH free of SVHC	Yes
EU RoHS Directive	Pro-active compliance (Product out of EU RoHS legal scope) EU RoHS Declaration
Mercury free	Yes
RoHS exemption information	Yes
China RoHS Regulation	China RoHS declaration
Environmental Disclosure	Product Environmental Profile
Circularity Profile	End of Life Information
California proposition 65	WARNING: This product can expose you to chemicals including: Lead and lead compounds, which is known to the State of California to cause cancer and birth defects or other reproductive harm. For more information go to www.P65Warnings.ca.gov

Contractual warranty

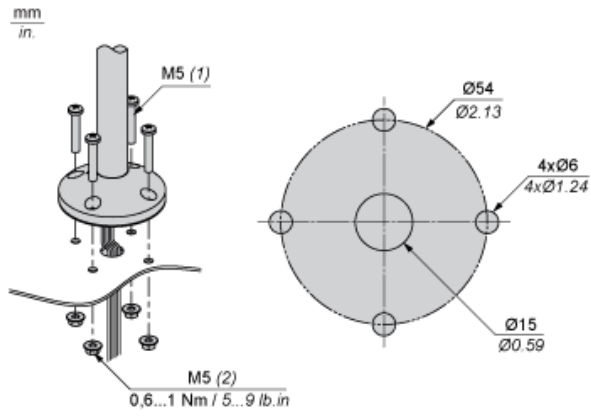
Warranty	18 months
----------	-----------

Dimensions



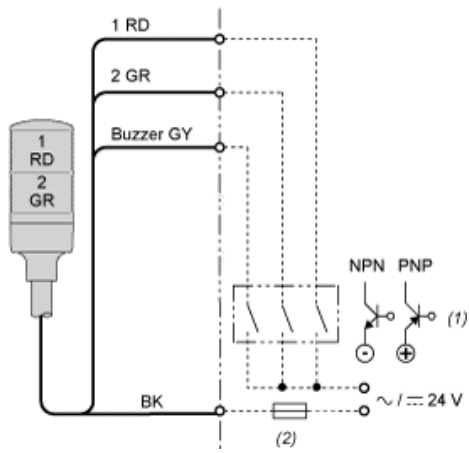
Mounting

Ø54 mm/2.13 in., Standard



- (1) Thickness + 10 mm/0.39 in.
- (2) Hexagon Nut with flange

Wiring



- (1) "ON" for lighting and/or applying continuous sound.
 - (2) Fuse (rated current: 0.5 A)
- RD : Red
GR : Green
GY : Grey
BK : Black