

# Product data sheet

Specifications



Monolithic tower lights, Harmony XVG, 60mm, red orange green, steady light, buzzer, base mounting, IP42, 24V AC/DC

XVGB3SW

## Main

Range of product	Harmony XVG
Product or component type	Complete pre-wired monolithic tower light
Beacon or indicator bank unit type	3 illuminated units
Material	PC (UL94 V-2): globe ABS (UL94HB): tube body Aluminium: tube
Mounting diameter	60 mm
Component name	XVG
Device mounting	Base mounting
Light source	LED steady red LED steady green LED steady amber
Light block color	Red/orange/green
Indicator bank base type	Base with integrated buzzer

## Complementary

Rated supply voltage	24 V AC/DC
Cable cross section	0.33 mm <sup>2</sup>
Discrete output type	PNP and NPN
[Uimp] rated impulse withstand voltage	0.5 kV
Current consumption	180 mA
Noise level	85 dB
Power consumption in W	4.1 W
Fundamental frequency	2.64 kHz
Net weight	0.25 kg

## Environment

Product certifications	CE EAC
Ambient air temperature for storage	-35...70 °C

Ambient air temperature for operation	-10...50 °C
IP degree of protection	IP42

## Packing Units

Unit Type of Package 1	PCE
Number of Units in Package 1	1
Package 1 Weight	350.0 g
Package 1 Height	7.926 cm
Package 1 width	8.002 cm
Package 1 Length	31.039 cm
Unit Type of Package 2	S04
Number of Units in Package 2	21
Package 2 Weight	8.591 kg
Package 2 Height	30.0 cm
Package 2 width	40.0 cm
Package 2 Length	60.0 cm

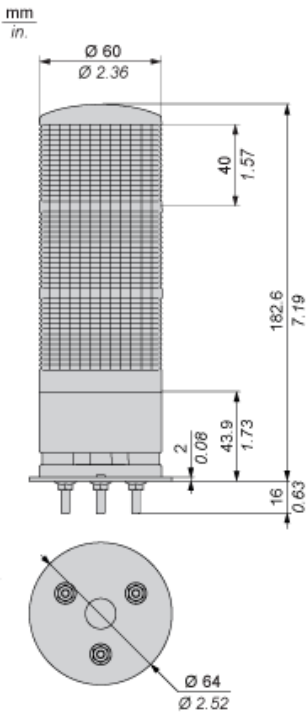
## Offer Sustainability

Sustainable offer status	Green Premium product
REACH Regulation	<a href="#">REACH Declaration</a>
REACH free of SVHC	Yes
EU RoHS Directive	Pro-active compliance (Product out of EU RoHS legal scope) <a href="#">EU RoHS Declaration</a>
Mercury free	Yes
RoHS exemption information	<a href="#">Yes</a>
China RoHS Regulation	<a href="#">China RoHS declaration</a>
Environmental Disclosure	<a href="#">Product Environmental Profile</a>
Circularity Profile	<a href="#">End of Life Information</a>
California proposition 65	WARNING: This product can expose you to chemicals including: Lead and lead compounds, which is known to the State of California to cause cancer and birth defects or other reproductive harm. For more information go to <a href="http://www.P65Warnings.ca.gov">www.P65Warnings.ca.gov</a>

## Contractual warranty

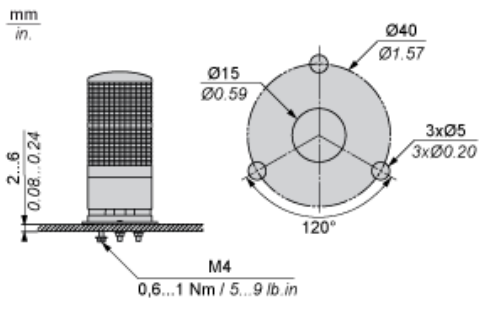
Warranty	18 months
----------	-----------

Dimensions

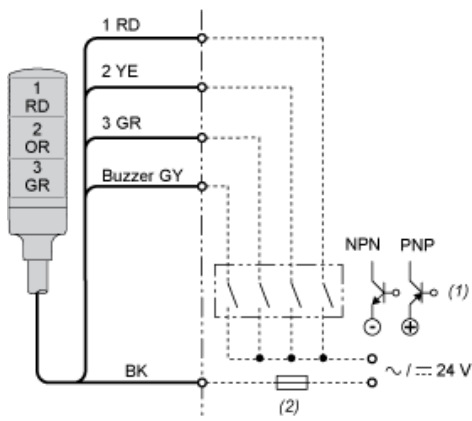


Mounting

---



Wiring



(1) "ON" for lighting and/or applying continuous sound.

(2) Fuse (rated current: 0.5 A)

- RD : Red
- YE : Yellow
- GR : Green
- GY : Grey
- OR : Orange
- BK : Black