

Product data sheet

Specifications



Harmony XVGU, Pre-assembled USB programmable tower lights, multi color, Ø60, steady/flashing LED, buzzer

XVGU3SHAV

Main

Range of product	Harmony XVGU
Product or component type	USB configurable monolithic tower light
Beacon or indicator bank unit type	3 illuminated units
Sound signalling	Buzzer
Mounting diameter	60 mm
Component name	XVGU
Light source	LED steady or flashing multi-colour
Indicator bank base type	Base with integrated buzzer
Noise level	85 dB (2 tone buzzer) at 1 m

Complementary

Material	PC: globe
Device mounting	Tube mounting with fixing plate
Light block color	Clear/clear/clear
[Us] rated supply voltage	5 V DC
Connector type	USB type A female
Current consumption	400 mA
Sound frequency	3800 Hz 2700 Hz
Power consumption in W	2 W
Flashing frequency	2 Hz with flashing LED unit 1 Hz with flashing LED unit
Product compatibility	Vijeo Designer 4.6 indoor use only HMIGTO XBTGT.... XBTGK.... XBTGC1. XBTGC2. XBTGH
Net weight	0.3 kg

Environment

Standards	EN 61000-6-2 EN 61000-6-4
-----------	------------------------------

Product certifications	GOST CE UL 508 cUL RCM
Ambient air temperature for storage	-35...70 °C
Ambient air temperature for operation	0...55 °C
Electrical shock protection class	Class I
IP degree of protection	IP54

Packing Units

Unit Type of Package 1	PCE
Number of Units in Package 1	1
Package 1 Weight	450.0 g
Package 1 Height	8.2 cm
Package 1 width	13.0 cm
Package 1 Length	41.5 cm

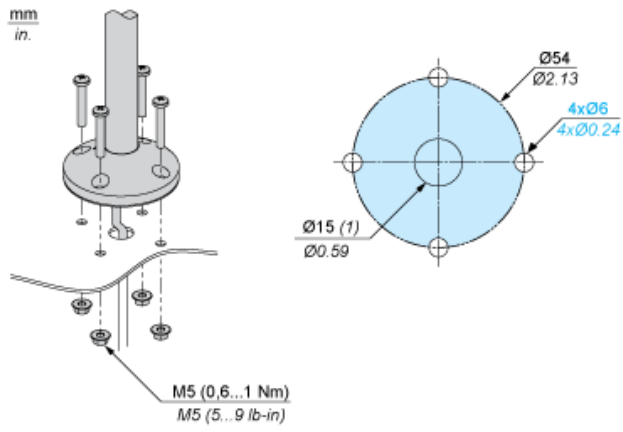
Offer Sustainability

Sustainable offer status	Green Premium product
REACH Regulation	REACH Declaration
EU RoHS Directive	Pro-active compliance (Product out of EU RoHS legal scope) EU RoHS Declaration
Mercury free	Yes
RoHS exemption information	Yes
China RoHS Regulation	China RoHS declaration
Environmental Disclosure	Product Environmental Profile
WEEE	The product must be disposed on European Union markets following specific waste collection and never end up in rubbish bins
California proposition 65	WARNING: This product can expose you to chemicals including: Lead and lead compounds, which is known to the State of California to cause cancer and birth defects or other reproductive harm. For more information go to www.P65Warnings.ca.gov

Contractual warranty

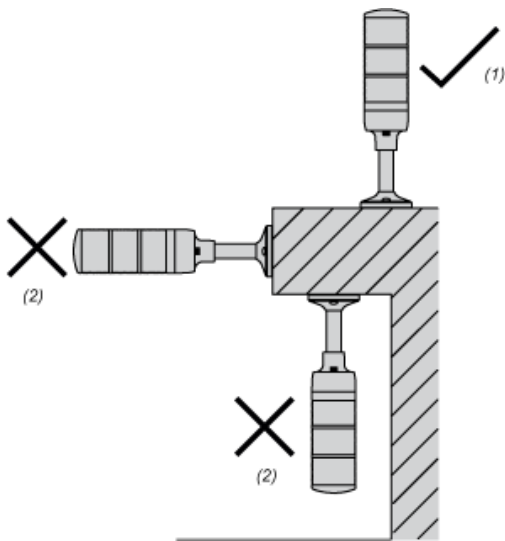
Warranty	18 months
-----------------	-----------

Mounting on Horizontal Support for Tube Mounting with Fixing Plate



(1) Cable outlet

Mounting Orientation



Choose a flat surface with enough strength and with little vibration for installation. Mount this product according to the figure to maintain IP character

- (1) OK
- (2) NO