

# Product data sheet

Specifications



## Radio transmitter, wireless for sensors and switches

XZBWE112A24

### Main

Product or component type	Radio transmitter
Number of inputs	1 sensor input for per transmitter

### Complementary

[Us] rated supply voltage	24 V DC, <15 mA (-15...20 %)
Contacts type and composition	NO
Discrete input type	NPN or PNP for sensor
Supply voltage limits	20.4...29 V DC
Power consumption in W	0.29 W at 24 V DC
Maximum supply current for sensors	100 mA at 24 V without overload protection (-15...20 %)
Voltage state 1 guaranteed	20.4...< 24 V for input
Current state 1 guaranteed	1.6 mA (input)
Voltage state 0 guaranteed	> 0...7.2 V for input
Current state 0 guaranteed	<= 1.5 mA (input)
Response time	< 30 ms
Protection type	External fuse, fast blow, 400 mA
Communication port protocol	Zigbee conforming to IEEE 802.15.4
Zigbee profile	Green power
Input frequency	0.5 Hz
Maximum sensing distance	100 m in free field 25 m in industrial environment
Local signalling	Sensor output: 1 LED green or orange for on/off LED blinking for no data transmission
Electrical connection	Sensor: 1 female connector M12, 5 Power supply: 1 male connector M12, 4
Marking	CE
Height	65 mm
Depth	23 mm
Width	68 mm
Net weight	0.051 kg

## Environment

Product certifications	CE
Electromagnetic compatibility	Conducted and radiated emissions class B conforming to CISPR 22
Ambient air temperature for operation	-25...55 °C
Ambient air temperature for storage	-40...70 °C
Relative humidity	90 %, without condensation
IP degree of protection	IP67
Vibration resistance	+/- 7.5 mm (f= 5...14 Hz) conforming to IEC 60068-2-6 2 gn (f= 8...150 Hz) conforming to IEC 60068-2-6
Shock resistance	10 gn (duration = 16 ms) for 6000 shocks conforming to IEC 60068-2-27

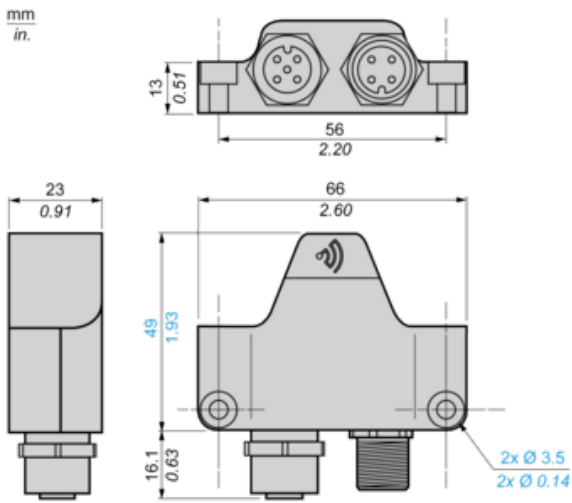
## Packing Units

Unit Type of Package 1	PCE
Number of Units in Package 1	1
Package 1 Weight	80.0 g
Package 1 Height	4.2 cm
Package 1 width	6.5 cm
Package 1 Length	9.5 cm
Unit Type of Package 2	S01
Number of Units in Package 2	22
Package 2 Weight	1.985 kg
Package 2 Height	15.0 cm
Package 2 width	15.0 cm
Package 2 Length	40.0 cm

## Offer Sustainability

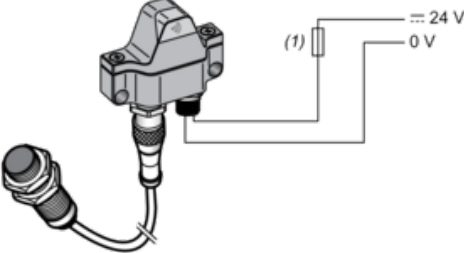
REACH Regulation	<a href="#">REACH Declaration</a>
EU RoHS Directive	Pro-active compliance (Product out of EU RoHS legal scope) <a href="#">EU RoHS Declaration</a>
Mercury free	Yes
RoHS exemption information	<a href="#">Yes</a>
California proposition 65	WARNING: This product can expose you to chemicals including: Diisononyl phthalate (DINP), which is known to the State of California to cause cancer, and Di-isodecyl phthalate (DIDP), which is known to the State of California to cause birth defects or other reproductive harm. For more information go to <a href="http://www.P65Warnings.ca.gov">www.P65Warnings.ca.gov</a>

Transmitter Dimensions



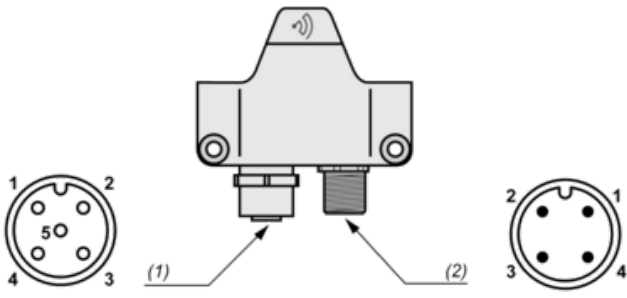
**Transmitter Wiring Diagram**

---



(1) 400 mA fast-blow fuse

**Transmitter Wiring Diagram**



**(1) Socket Sensor Input**

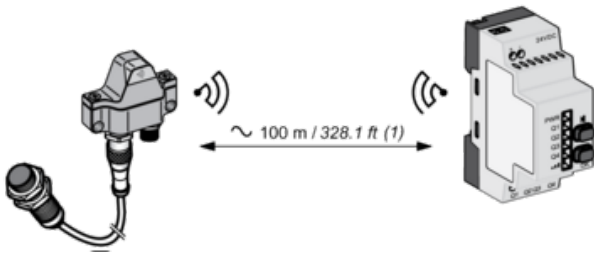
	Pin 1 : 24 Vdc (output to sensor) Pin 2 : Not used Pin 3 : 0 Vdc Pin 4 : No NPN or PNP or contact input from the sensor Pin 5 : Not used
--	--

**(2) Socket Power Supply (male)**

	Pin 1 : 24 Vdc Pin 2 : Not used Pin 3 : 0 Vdc Pin 4 : Not used
--	---

**Unobstructed Mounting**

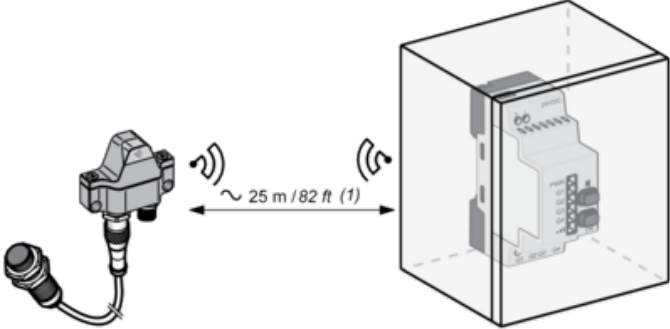
---



(1) Typical values that may be modified by the application environment.

**Mounting in a Metal Cabinet**

---



(1) Typical values that may be modified by the application environment.